

GOOD TIMES RESTAURANTS, INC.
 141 Union Blvd, Suite 400
 Lakewood, CO 80228
 303-384-1430

BAD DADDY'S BURGER BAR
 "EASTCHASE"
 MONTGOMERY, AL 36117

Issue	Record
4.23.2019	FOR PLAN REVIEW

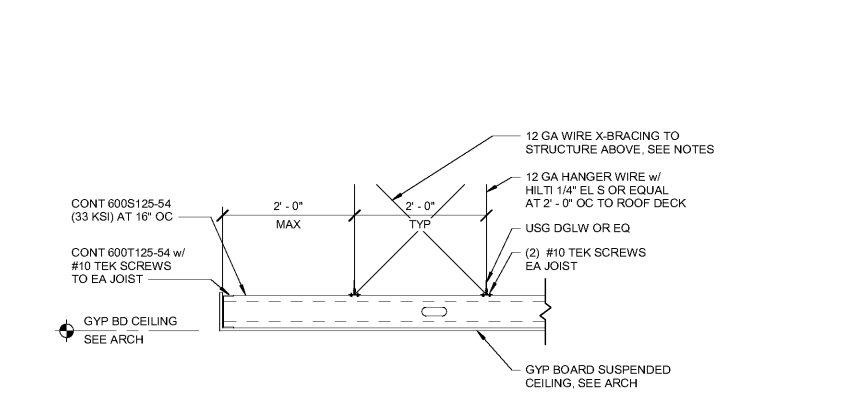
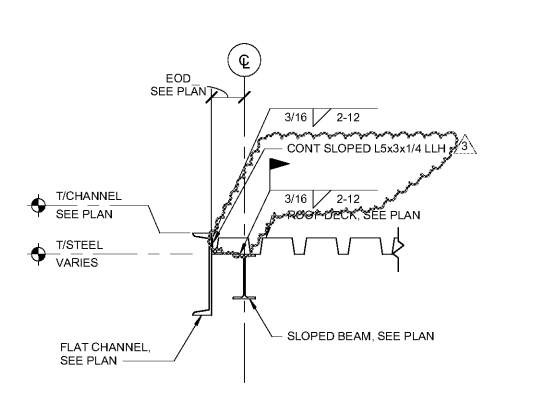
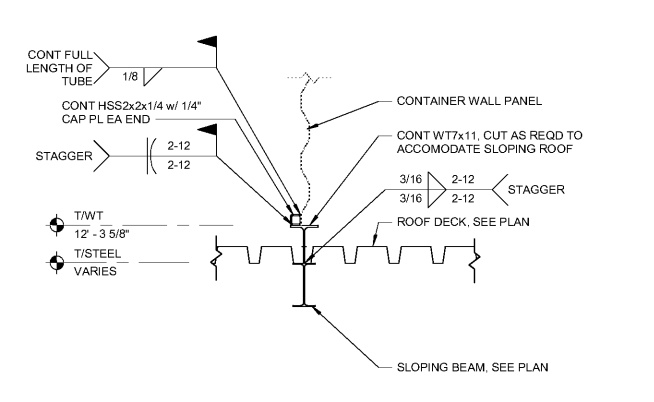
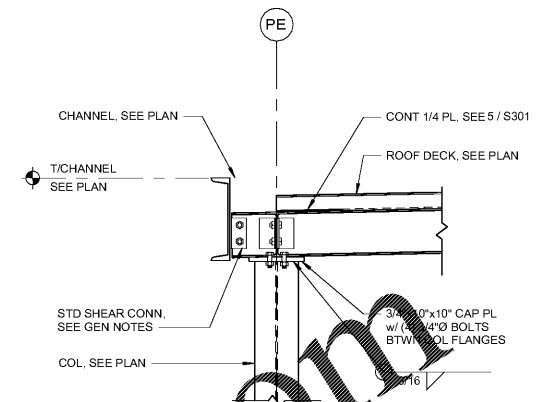
Revisions	
7.1.2019	CANOPY REVS
2.10.2021	TO GO REVS

Drawn:
 DRAWN BY: LW

Checked:
 CHECKED BY: DW,CS

Project No:
 PROJECT#: 19-207

Content:
 ROOF FRAMING DETAILS

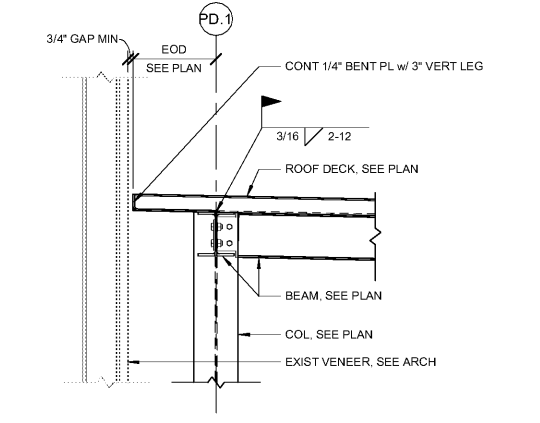


1 DETAIL
 S301 3/4" = 1'-0"
 NOTES:
 1. PROVIDE WIRE X-BRACING EACH DIRECTION AT EACH CORNER AND CENTER OF SUSPENDED CEILING.

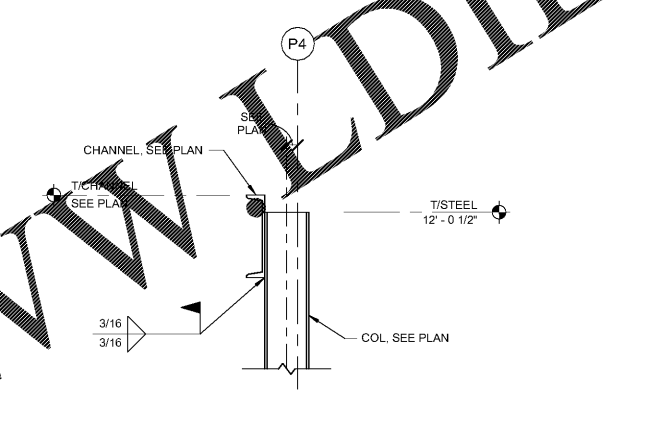
2 SECTION
 S301 3/4" = 1'-0"

3 SECTION
 S301 3/4" = 1'-0"
 NOTES:
 1. AT SIM SECTION ROOF DECK IS OPPOSITE DIRECTION AND BEAM IS FLAT. ROOF DECK SHALL BEAR 1 1/2" MINIMUM ON BEAM FLANGES.
 2. ADJUST LOCATION OF HSS2x2 TO ALLOW CONTAINER WALL TO BE CENTERED OVER WT. VERIFY WITH CONTAINER SUPPLIER.

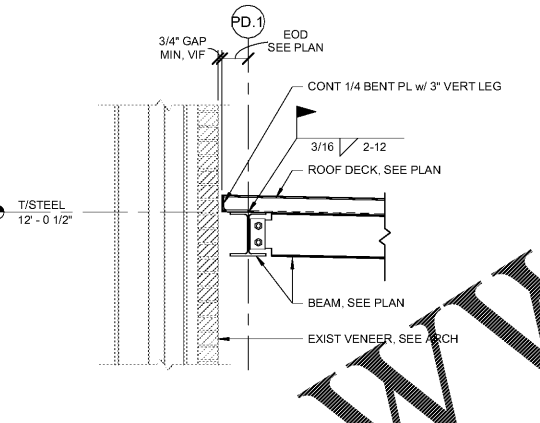
4 SECTION
 S301 3/4" = 1'-0"



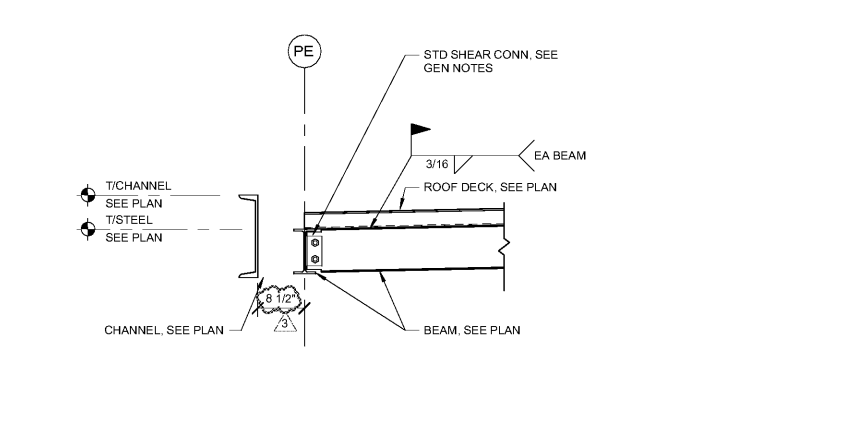
8 SECTION
 S301 3/4" = 1'-0"



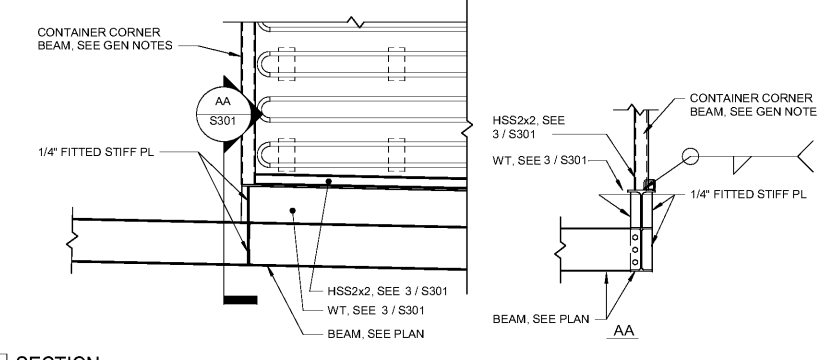
7 SECTION
 S301 3/4" = 1'-0"



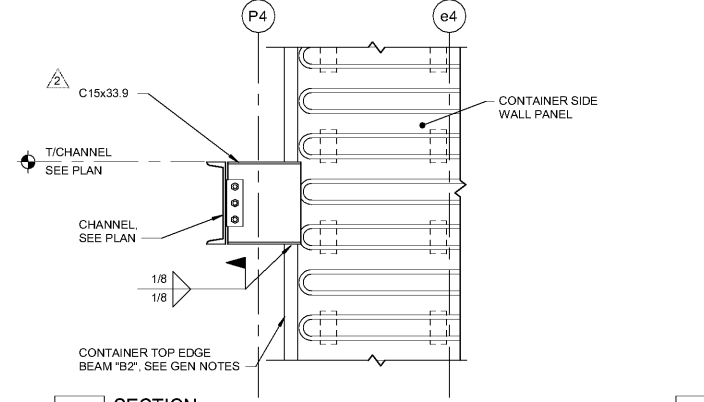
6 SECTION
 S301 3/4" = 1'-0"



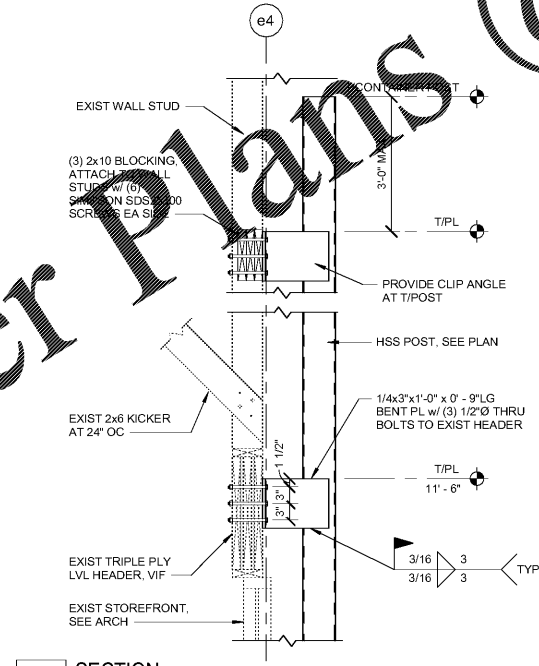
5 SECTION
 S301 3/4" = 1'-0"



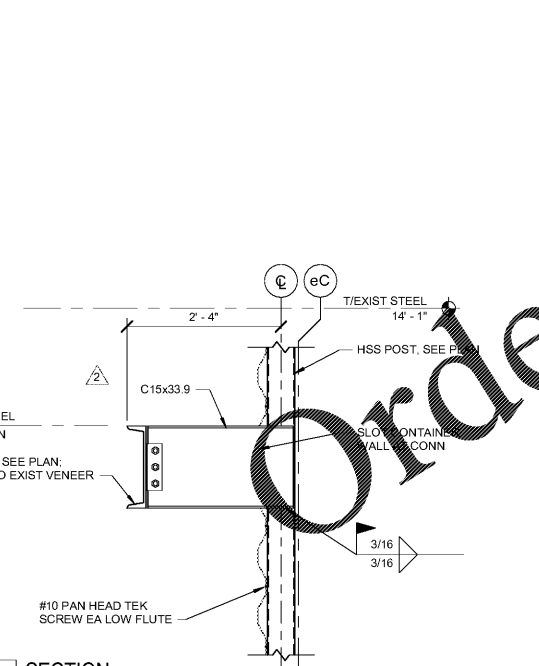
12 SECTION
 S301 3/4" = 1'-0"
 NOTES:
 1. ROOF DECK NOT SHOWN FOR CLARITY.



11 SECTION
 S301 3/4" = 1'-0"



10 SECTION
 S301 3/4" = 1'-0"
 NOTES:
 1. VERIFY KICKERS INSTALLED AT 24" OC. IF KICKERS INSTALLED >24" OC, PROVIDE 2x6 SPF No 2 KICKERS TO CRIPPLE STUD AND FIRST TRUSS TOP PANEL. POINT WITH (4) 10d NAILS.
 2. REMOVE EXISTING VENEER AND SHEATHING AS REQUIRED FOR CONNECTION TO EXISTING HEADER.



9 SECTION
 S301 3/4" = 1'-0"
 NOTES:
 1. POST TO BE CONTINUOUS TO TOP OF CONTAINER. CONTRACTOR TO COORDINATE HEIGHT OF POST WITH CONTAINER SUPPLIER.

Order Plans @ WWW.LittleLine.com