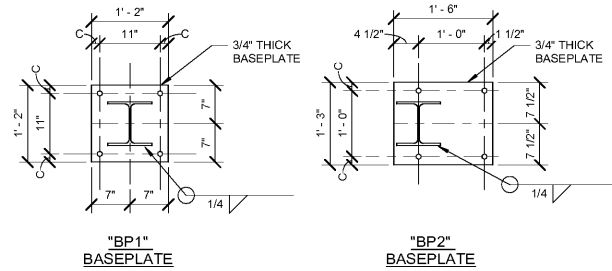
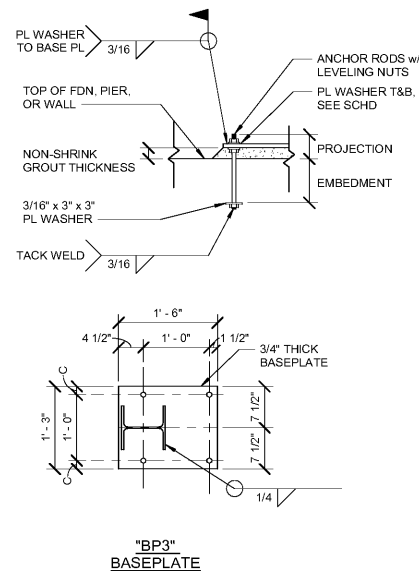


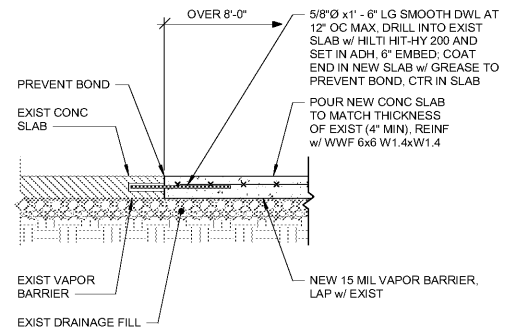
ANCHOR ROD SCHEDULE			
BASEPLATE TYPE	BP1	BP2	BP3
ROD SIZE	3/4"Ø	3/4"Ø	3/4"Ø
DIMENSION "C"	1 1/2"	1 1/2"	1 1/2"
SQUARE PL WASHER SIZE	1/4" x 2"	1/4" x 2"	1/4" x 2"
GROUT THICKNESS	1 1/2"	1 1/2"	1 1/2"
PROJECTION	6"	6"	6"
EMBEDMENT	9"	9"	9"



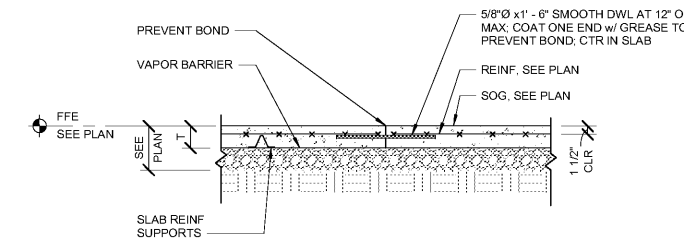
1 BASEPLATE AND ANCHOR ROD SCHEDULE
 S201 3/4" = 1'-0"
 NOTES:
 1. SEE GENERAL NOTES FOR ANCHOR ROD MATERIAL.



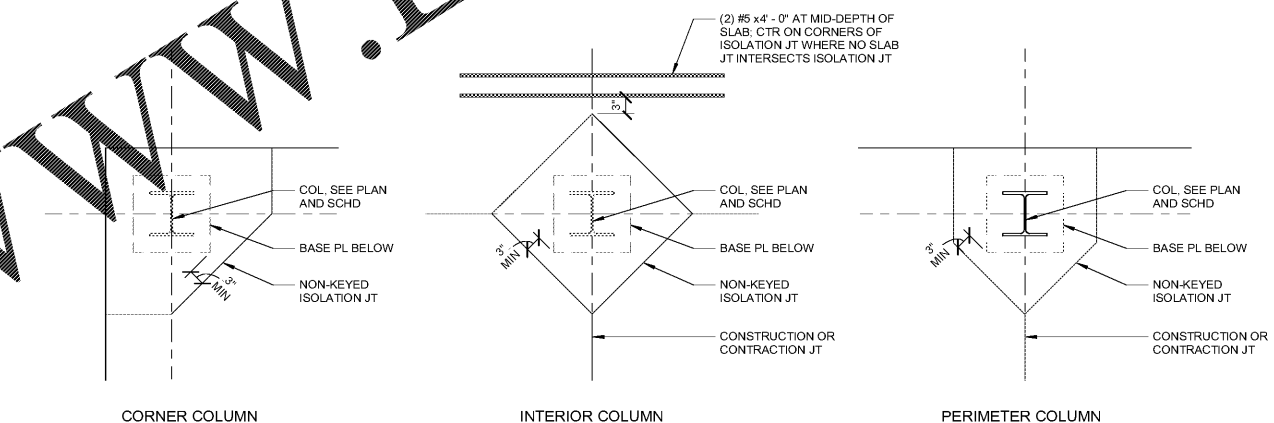
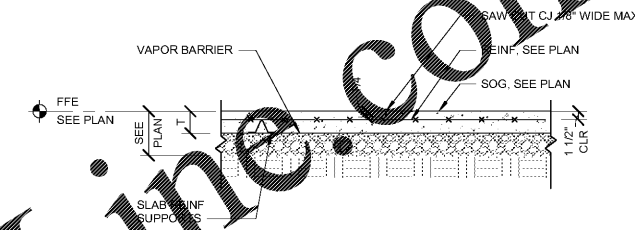
2 NEW SLAB AT EXISTING SLAB
 S201 NOT TO SCALE
 NOTES:
 1. PROVIDE A CONTRACTION JOINT AT ANY EXISTING CONTRACTION JOINT IN THE ADJACENT SLAB AND AT 12'-0" OC MAX IN ANY DIRECTION.



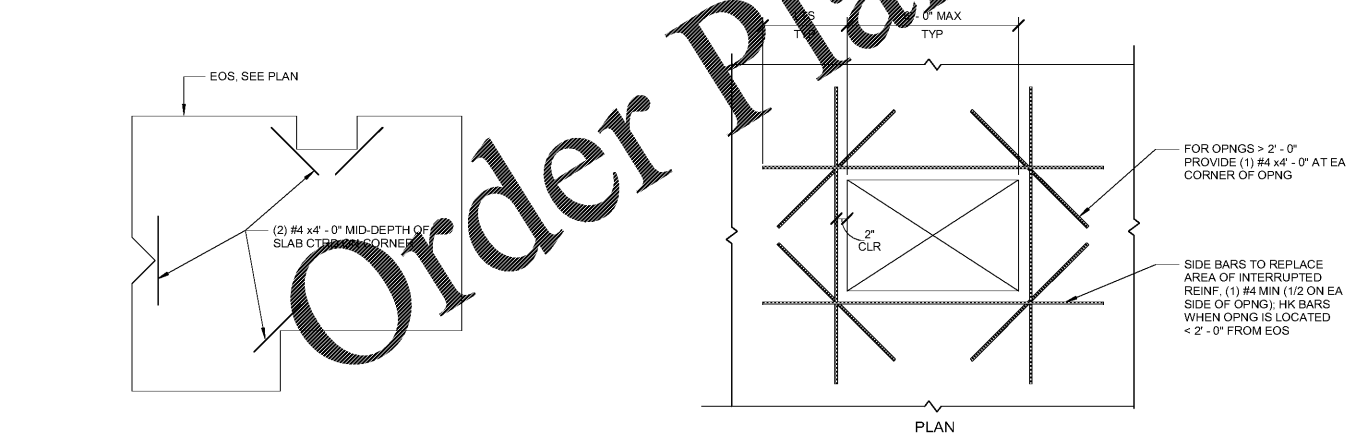
3 SLAB ON GRADE CONSTRUCTION JOINT DETAIL
 S201 3/4" = 1'-0"
 NOTES:
 1. DO NOT RUN WWF THROUGH CONSTRUCTION JOINT.



4 SLAB ON GRADE CONTRACTION JOINT DETAIL
 S201 3/4" = 1'-0"
 NOTES:
 1. CUT EVERY OTHER WIRE WHERE CONTRACTION JOINTS ARE TO BE CUT.
 2. SAW CUT SLAB WITHIN 8 HOURS OF CONCRETE POUR.



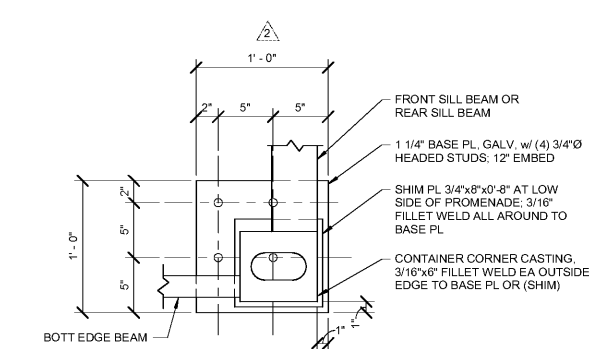
6 COLUMN ISOLATION JOINT DETAIL
 S201 3/4" = 1'-0"
 NOTES:
 1. POUR CONCRETE FILL AROUND COLUMN AFTER BASEPLATE HAS BEEN GROUTED.



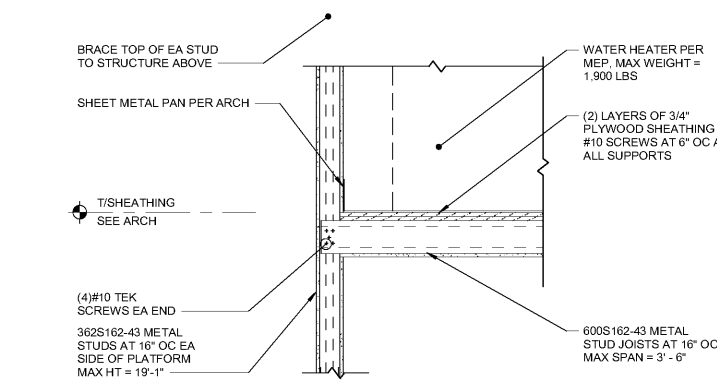
7 SLAB RE-ENTRANT CORNER REINFORCING
 S201 NOT TO SCALE
 NOTES:
 1. WHERE SLAB CONTRACTION JOINT INTERSECTS RE-ENTRANT CORNER ADDED SLAB REINFORCING IS NOT REQUIRED. SEE PLAN FOR JOINT LOCATIONS.

8 ADDITIONAL SLAB ON GRADE REINFORCEMENT AT OPENINGS
 S201 NOT TO SCALE
 NOTES:
 1. SEE ARCHITECTURAL DRAWINGS FOR SIZE AND LOCATION OF OPENINGS.
 2. ADDITIONAL REINFORCEMENT IS NOT REQUIRED AT OPENINGS THAT DO NOT INTERRUPT THE TYPICAL REINFORCEMENT.

9 CONTAINER CORNER ANCHOR DETAIL
 S201 1 1/2" = 1'-0"



10 SECTION AT WATER HEATER PLATFORM
 S201 3/4" = 1'-0"
 NOTES:
 1. AT EXISTING EXTERIOR WOOD STUD WALL PROVIDE No.2 SYP 2x6 STUDS AS REQUIRED FOR JOISTS LAYOUT.
 2. PROVIDE (6) #10 x 1 1/2" WOOD SCREWS TO METAL STUD JOISTS.



Order Plans @ WWW.LDLINE.COM

CONSULTANT:
LITTLE
 DIVERSIFIED ARCHITECTURAL CONSULTING
 410 Blackwell St, Suite 10
 Durham NC 27701
 1-919-474-2500
 www.littleonline.com

Professional Engineer Seal for David L. Long, No. 2254, State of North Carolina.

Bad Daddy's
 BURGER BAR
 GOOD TIMES RESTAURANTS, INC.
 141 Union Blvd, Suite 400
 Lakewood, CO 80228
 303-384-1430

BAD DADDY'S BURGER BAR
 "EASTCHASE"
 MONTGOMERY, AL 36117

Issue	Record
4.23.2019	FOR PLAN REVIEW
7.1.2019	CANOPY REVS TO GO REVS
2.10.2021	

Drawn:
 DRAWN BY: LW
 Checked:
 CHECKED BY: DW,CS
 Project No:
 PROJECT#: 19-207
 Content:
 FOUNDATION DETAILS