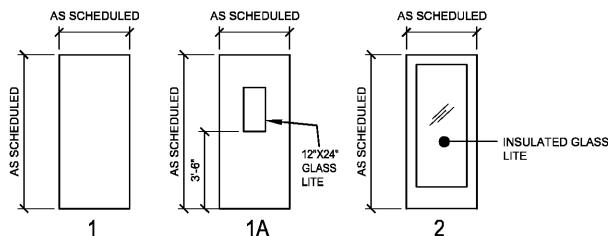


DOOR SCHEDULE NOTE: GC TO PROVIDE DOOR & HARDWARE SUBMITTAL TO OWNER FOR REVIEW AND APPROVAL BEFORE ORDERING.

| DOOR SCHEDULE | | | | | | | | | | | |
|---------------|-------------------------------|-------------------------------|----------------------|------|----------------|-----------------|------|---------|---------------|---------|--|
| NO. | DOOR DATA | | | | | FRAME DATA | | | HARDWARE | NOTES | |
| | LOCATION | SIZE | MATERIAL | TYPE | FINISH | MATERIAL | TYPE | FINISH | | | |
| 110 | ENTRY (BY LANDLORD) | (PAIR) 3'-0" X 7'-0" X 1 1/2" | ALUM/INSULATED GLASS | - | CLEAR ANODIZED | ALUM STOREFRONT | - | FACTORY | A B D H K L M | 1, 3 | |
| 110A | VESTIBULE | 3'-0" X 7'-0" X 1 1/2" | ALUM/INSULATED GLASS | 2 | CLEAR ANODIZED | ALUM STOREFRONT | B | FACTORY | A B D K | 1 | |
| 100 | PATIO (BY LANDLORD) | 3'-0" X 7'-0" X 1 1/2" | ALUM/INSULATED GLASS | - | CLEAR ANODIZED | ALUM STOREFRONT | - | FACTORY | A B D H K L M | 1, 4, 5 | |
| 100A | PATIO (BY LANDLORD) | 3'-0" X 7'-0" X 1 1/2" | ALUM/INSULATED GLASS | - | CLEAR ANODIZED | ALUM STOREFRONT | - | FACTORY | A B D H K L M | 1, 4, 5 | |
| 100B | OVERHEAD DOOR (BY LANDLORD) | 10'-0" X 10'-0" | ALUM/INSULATED GLASS | - | CLEAR ANODIZED | - | - | - | P | 6 | |
| 105 | KITCHEN SERVICE (BY LANDLORD) | 4'-0" X 7'-0" X 1 1/2" | HM | 1 | FACTORY | HM | A | PAINT | A B D L N M R | 3 | |
| 106 | OFFICE | 3'-0" X 6'-8" X 1 1/2" | SCAWOOD | 1A | PAINT | HM | A | PAINT | A B D F G | 2 | |
| 107 | MEN'S TOILET | 3'-0" X 6'-8" X 1 1/2" | SCAWOOD | 1 | PAINT | HM | A | PAINT | A B C D G K Q | 1, 2 | |
| 108 | WOMEN'S TOILET | 3'-0" X 6'-8" X 1 1/2" | SCAWOOD | 1 | PAINT | HM | A | PAINT | A B C D G K Q | 1, 2 | |
| 109 | TO GO DOOR | 3'-0" X 7'-0" X 1 1/2" | ALUM/INSULATED GLASS | - | CLEAR ANODIZED | ALUM STOREFRONT | - | FACTORY | A B D K | 1 | |

- NOTES:**
- ALL HARDWARE TO BE APPROVED FOR ICCANSI A117.1 ACCESSIBILITY
 - SEE SHEET A127 FOR DOOR & FRAME FINISHES
 - REUSE EXISTING HARDWARE FROM LANDLORD DOOR. ADD HARDWARE SET ITEM "M" IF NOT PRESENT.
 - STOREFRONT FRAME & FINISH TO MATCH EXISTING STOREFRONT.
 - ALL PANIC HARDWARE DEVICES AND LOCKSETS TO BE INTEGRATED. PANIC HARDWARE WILL ALWAYS OPEN DOOR FROM INSIDE WHEN PUSHED. (DOORS WILL ALWAYS BE UNLOCKED FROM INSIDE OF DOOR.)
 - OVERHEAD DOOR W/ INSULATED GLASS.

DOOR TYPES: ALL EXTERIOR DOORS (MAN TYPE AND OVERHEAD DOOR TYPE) TO BE PROVIDED WITH INSULATED GLASS

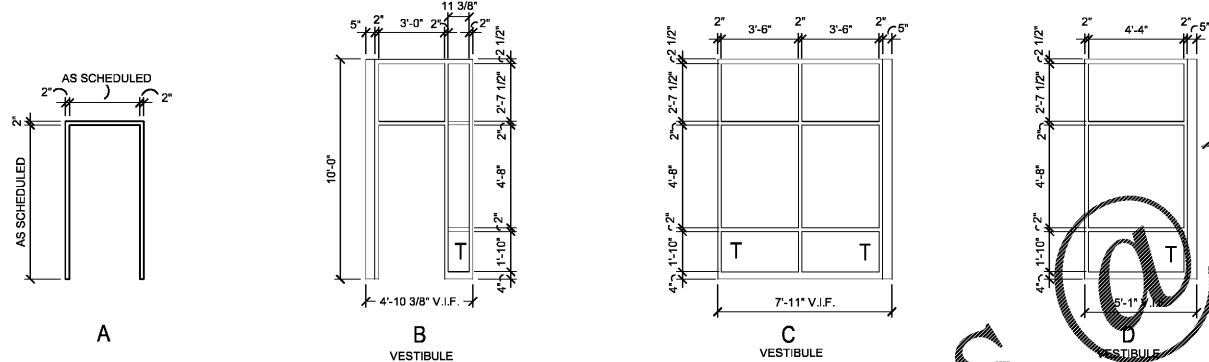


HARDWARE LEGEND

- A. BUTT HINGES
- B. DOOR SILENCERS, (3) PER LEAF
- C. BRUSHED CHROME WALL STOP CLOSER
- D. LOCKSET (OFFICE FUNCTION)
- E. LOCKSET (PASSAGE FUNCTION)
- F. 8" HIGH STAINLESS STEEL KICK PLATE EA. SIDE OF DOOR
- G. PROVIDE DECAL ON DOOR. THIS DOOR TO REMAIN UNLOCKED DURING HOURS OF OPERATION*
- H. LOCKSET (STOREROOM)
- I. PROVIDE WIRE PULL
- J. LOCKSET (STOREFRONT)
- K. PANIC HARDWARE DEVICE
- L. ALARM DEVICE: DETEX MODEL EAX-510 (PROVIDED BY GC EVEN IF LL DOOR)
- M. LOCKSET (PRIVACY)
- N. OVERHEAD DOOR TO BE SUPPLIED WITH BUMPER STOPS
- O. 24" WIDE X 18" TALL SS PUSH PLATE
- P. 60" TALL SS SHEET ON INSIDE OF DOOR

DOOR FRAME & STOREFRONT TYPES:

STOREFRONT NOTE: STOREFRONT FRAME FINISH TO MATCH EXISTING SHELL STOREFRONT. "T" INDICATES TEMPERED GLASS. SEE DOOR SCHEDULE THIS SHEET FOR LANDLORD PROVIDED ITEMS. ALL NEW STOREFRONT GLAZING TO INSULATED GLASS.



LIGHTING SCHEDULE

| SYMBOL | DESCRIPTION | MANUFACTURER | MODEL | REMARKS |
|--------|---|---------------------|---|--|
| A | PENDANT LIGHT, PUBLIC AREAS, DIMMABLE, LED | HI-LITE MFG. | FIXTURE: H-18116-96-CE-24 BASE | MOUNT B.O. LIGHT AT 10'-0" AFF IN OPEN CEILING DINING AREA. MOUNT AT 8'-0" OVER BOOTHS AT SOFFITS, OR UNLESS NOTED OTHERWISE ON CEILING PLAN. PROVIDE DIMMABLE LIGHT SWITCH. |
| B | 3" RECESSED LIGHT, DIMMABLE U.N.O., LED | CSL | FIXTURE: EDL-NC-WW-30L-12-4-3 TRIM LAMP: 2700K COLOR TEMP. DIMMABLE | MOUNT IN CEILING. LIGHTS TO BE DIMMABLE UNLESS NOTED OTHERWISE ON CEILING PLAN. |
| C | TRACK LIGHT, LED, DIMMABLE | JUNO LIGHTING GROUP | FIXTURE: RL541BL, TRACK LIGHT, R8BL, R8BL LAMP: 12W LED, 2700K COLOR TEMP. DIMMABLE | MOUNT FIXTURE AT 13'-0" AFF IN OPEN CEILING DINING AREA. PROVIDE DIMMABLE LIGHT SWITCH |
| D | DECORATIVE PENDANT CHANDELIER, DIMMABLE, LED | HI-LITE MFG. | FIXTURE: H-CGU-HB-96-FR LAMP: 9 WATT LED, GU-24 BASE | MOUNT B.O. LIGHT AT 10'-0" AFF, UNLESS NOTED OTHERWISE ON CEILING PLAN. PROVIDE DIMMABLE LIGHT SWITCH. |
| E | WALL SCONCE, LED | HI-LITE MFG. | FIXTURE: H-CGU-HB-96-FR LAMP: SATC-1A19/OMNI/LED/27K/120V/IGU24 | MOUNT CENTER OF LIGHT ARM TO WALL AT 5'-4" AFF. |
| F | 2X4 RECESSED FLAT PANEL LED FIXTURE (KITCHEN) | BARRON LTG. | FIXTURE: TRACE LITE-LP24-47-35K | MOUNT IN LAYIN CEILING |
| F2 | 2X2 RECESSED FLAT PANEL LED FIXTURE (KITCHEN) | BARRON LTG. | FIXTURE: TRACE LITE-LP22-40-35K | MOUNT IN LAYIN CEILING |
| G | VANITY LIGHT (BATHROOMS), DIMMABLE, LED | HI-LITE MFG. | FIXTURE: H-CGU-F2F-96 LAMP: 9 WATT LED, GU-24 BASE | MOUNT CENTER OF LIGHT ARM TO WALL AT 7'-0" AFF. CENTERED OVER VANITY |
| H | EXTERIOR LIGHT (2 BULB) | HI-LITE MFG. | FIXTURE: H-LCGU-W29-96-CLR LAMP: CFL | EXTERIOR LIGHT. MOUNT ON SHIPPING CONTAINER. MOUNT CENTER OF LIGHT AT 7'-0" AFF. MOUNT TO B.O. DECK @ TO-GO CANOPY. |
| H1 | EXTERIOR LIGHT (1 BULB) | HI-LITE MFG. | FIXTURE: H-LCGU-19-96-CLR LAMP: CFL | EXTERIOR LIGHT. MOUNT ABOVE EXTERIOR DOOR. |
| K | PENDANT LIGHT (BAR), DIMMABLE, LED | HI-LITE MFG. | FIXTURE: H-LCGU-16-96-96 LAMP: 9 WATT LED, GU-24 BASE | SUSPEND LIGHT FROM B.O. DECK WITH B.O. LIGHT AT 10'-2" FOR BARS, 8'-0" AT STANDARD BARS (BAR BACKLINE ADJACENT TO WALL) CONFIGURATIONS. PROVIDE DIMMABLE LIGHT SWITCH. |
| LB | LED TAPE LIGHT (UNDER BAR COUNTER, BARTENDER SIDE) | LED INSPIRATIONS | FIXTURE: NU-V2-2700-SB, MOUNT IN STRIPCHAN8 | SEE DETAIL 3/A400, DIMMER CONTROL SEPARATE FROM "LC" FIXTURE. |
| LC | LED TAPE LIGHT (UNDER BAR COUNTER, CUSTOMER SIDE) | LED INSPIRATIONS | FIXTURE: NU-V2-2700-SB, MOUNT IN STRIPCHAN8 | SEE DETAIL 3/A400, DIMMER CONTROL SEPARATE FROM "LB" FIXTURE. |
| O | PATIO DECORATIVE FESTOON LIGHT, (LED) | AMERICAN LIGHTING | FIXTURE: LS-1-15-BK-330 LAMP: 1W LED - PG40-E17-WW | SUSPEND STRING LIGHTS TAUGHT AND LEVEL FROM SS CABLE BOLTED TO PERMETER WALL. |
| W | LOW PROFILE ENCLOSED GASKETED WET LOCATION LED FIXTURE | LITHONIA | FIXTURE: FEM-L48-4000LM-LPACL-MD-MVOLT-G210-40K-80CRI | |
| Z | LED TAPE LIGHT, VERTICAL EXT. ACCENT LIGHTING AT SHIPPING CONTAINER | TIVOLI LIGHTING | FIXTURE: FLEX DIRECT "FLX WH 24 ADN M 120 1 4 24 D DIM OT 1 4 D JT 100 1 4 24 D" | PROVIDE IN 20 FT. LENGTHS, SPLICE/CUT TO FIT INSTALLATION, DIMMABLE WITH ALUM. MTG. CHANNEL, SEE 2/A410. |

MATERIALS SCHEDULE

| FINISH | DESCRIPTION | LOCATION | FINISH NO. | MFR | MFR NO. | COLOR | TYPE | REMARKS |
|----------|-------------------------------|---------------------------------------|------------|------------------|----------------------------|--------------------------------|---|---|
| BASE | QUARRY TILE BASE | KITCHEN | QB-1 | DAL-TILE | - | RED BLAZE, OQ40 | 5' X 6' COVE | EPOXY GROUT, MAPEI KARAPOXY IEG CQ, COLOR #09, "GREY" |
| | FLOOR TILE BASE | BAR | FB-1 | DAL-TILE | STYLE: PAVER | OQ89, CHOCOLATE | 6' X 6' COVE | EPOXY GROUT, MAPEI KARAPOXY IEG CQ, COLOR #42, "MOCHA" |
| | WOOD BASE | DINING/RESTROOMS | WB-1 | CUSTOM | - | - | 1X6 WOOD BASE | 1 X 6 POPLAR, PAINT PT-6. SEAL BASE TO FLOOR W/ BLACK SILICONE IN RESTROOMS |
| | METAL BASE | WALK-IN FREEZER | WB-4 | SCHLUTER | DESIGNBASE-SL, 3-1/8" TALL | SATIN ANODIZED | 3 1/8" METAL COVED BASE | USE DESIGNBASE-SL INSIDE CORNERS |
| CEILING | CEILING TILE | KITCHEN | ACT-1 | USG | CULMAPLUS #3260 | WHITE | 2X2 ACOUSTIC CEILING TILES, VINYL FACED | SCRUBBABLE FINISH |
| | CEILING TILE | KITCHEN | ACT-2 | USG | CULMAPLUS #3270 | WHITE | 2X4 ACOUSTIC CEILING TILES, VINYL FACED | SCRUBBABLE FINISH |
| FLOOR | SEALED CONCRETE | DINING | SC-1 | - | - | - | - | CONCRETE FLOOR TO BE GLOSS FINISH, STOP GRINDING AT 1600 GRIT. SEE GENERAL NOTES ON SHEET 25. |
| | CARPET | DINING | CPT | TANDUS | STACK 9 04332 | - | BLACK ALUMINUM 75003 | POWERBOND CUSHION. CONTACT: FRANK WISEMAN, (720) 740-5552, fwiseman@tandus-centiva.com |
| | QUARRY TILE | KITCHEN | QT-1 | DAL-TILE | - | RED BLAZE, OQ40, SMOOTH FINISH | 6' X 6' | EPOXY GROUT, MAPEI KARAPOXY IEG CQ, COLOR #09, "GREY" |
| | FLOOR TILE | BAR | FT-1 | DAL-TILE | STYLE: PAVER | OQ89, CHOCOLATE | 6' X 6' | EPOXY GROUT, MAPEI KARAPOXY IEG CQ, COLOR #42, "MOCHA" |
| MILLWORK | BAR COUNTER | BAR | CTR-1 | CUSTOM | - | - | - | FABRICATED & INSTALLED BY OWNER |
| WALLS | METAL WAINSCOT | DINING, RESTROOMS | PLAM-1 | M&NICHOLS | - | - | - | PLAM-1 & GALVALUM FLAT STOCK & CORNERS SUPPLIED BY OWNER. INSTALLED BY GC. INSTALL 4X8 SHEETS HORIZONTALLY IN DINING ROOM AND RESTROOMS. |
| | WAINSCOT | BAR | PLAM-2 | - | - | - | - | SUPPLIED BY OWNER. INSTALLED BY GC. MILD STEEL FLAT STOCK & CORNERS SUPPLIED BY GC. |
| | WOOD SIDING | BAR, DINING (SEE INTERIOR ELEVATIONS) | WW-1 | - | - | - | - | WW-1 SUPPLIED BY OWNER. INSTALLED BY GC. BOARD WIDTH VARIES FROM 6" - 11". RUN CONSISTENT BOARD WIDTH PER ROW. ARRANGE ROWS FOR RANDOM APPEARANCE. ATTACH TO WALL SUBSTRATE WITH (2) FINISH NAILS AT 16" O.C. GC TO PAINT WALL BEHIND BOARDS BLACK (FLAT FINISH) AND PROVIDE W/ FIRE TREATMENT COATING TO ACHIEVE CLASS C RATING PER IBC SECTION 603.1. |
| | FIBERGLASS REINFORCED PLASTIC | KITCHEN | FRP-1 | CRANE COMPOSITES | GLASSBOARD-P (PI) #101 | #65 WHITE | 10' PANELS EMBOSSED | |
| | FIBERGLASS REINFORCED PLASTIC | BAR AT BARTENDER SIDE ONLY | FRP-2 | CRANE COMPOSITES | GLASSBOARD-P (PI) #101 | #201 BLACK | 8' PANELS EMBOSSED | |
| | STAINLESS STEEL | KITCHEN | SS | CUSTOM | CUSTOM | STAINLESS STEEL FINISH #4 | 18 GA TYPE 304 STAINLESS STEEL | FULL HEIGHT PANELS IN KITCHEN (NOTE: HOOD MANUF. PROVIDES STAINLESS STEEL BEHIND HOOD) |
| MISC | EXPANDED METAL | METAL SCREENS | MS-1 | M&NICHOLS | - | - | - | FABRICATED BY OWNER, INSTALLED BY G.C. |
| | FABRIC | UPHOLSTERY, BOOTHS BACKS & SEES | FAB1 | KNOLL | ABACUS | MARBLES | - | PROVIDE FABRIC WITH STAINGUARD TREATMENT |
| | FABRIC | UPHOLSTERY, BOOTHS BACKS & SEES | FAB2 | CHITEX | SPRINKLE | TANGERINE | - | PROVIDE FABRIC WITH STAINGUARD TREATMENT |
| | FABRIC | UPHOLSTERY, BOOTHS BACKS & SEES | FAB3 | NASSIMI | CLASSIC | BLACK | - | |

PAINT SCHEDULE

| PAINT | DESCRIPTION | LOCATION | FINISH NO. | MFR | MFR NO. | COLOR | FINISH | REMARKS |
|----------------|--|----------|------------|------------------|------------------------|-----------|------------|---|
| PAINT | DRYWALL SOFFITS & CEILINGS | | PT-1 | SHERWIN WILLIAMS | #SW0038 LIBRARY PEWTER | GREY | EGGSHELL | SHERWIN WILLIAMS PROMAR 200 ZERO VOC INTERIOR LATEX |
| PAINT | DINING EXPOSED CEILING | | PT-1A | SHERWIN WILLIAMS | #SW0038 LIBRARY PEWTER | GREY | FLAT | SHERWIN WILLIAMS WATERBASE DRYFALL |
| PAINT | INTERIOR STAIR RAILINGS AND STEEL COLUMNS | | PT-1B | SHERWIN WILLIAMS | #SW0038 LIBRARY PEWTER | GREY | SEMI-GLOSS | SHERWIN WILLIAMS PRO INDUSTRIAL WATER BASED ALKYD URETHANE |
| PAINT | RESTROOM CEILINGS | | PT-2 | SHERWIN WILLIAMS | #SW6156 RAMIE | TAN | EGGSHELL | SHERWIN WILLIAMS PRO INDUSTRIAL PRE-CATALYZED WATER BASED EPOXY |
| PAINT | DRYWALL WALLS | | PT-3 | SHERWIN WILLIAMS | #SW6424 TANSY GREEN | GREEN | EGGSHELL | SHERWIN WILLIAMS PROMAR 200 ZERO VOC INTERIOR LATEX |
| PAINT | RESTROOM WALLS | | PT-3A | SHERWIN WILLIAMS | #SW6424 TANSY GREEN | GREEN | EGGSHELL | SHERWIN WILLIAMS PRO INDUSTRIAL PRE-CATALYZED WATER BASED EPOXY |
| PAINT | DRYWALL WALLS, DRYWALL SOFFITS & CEILINGS | | PT-4 | SHERWIN WILLIAMS | #SW2739 CHARCOAL BLUE | DARK BLUE | EGGSHELL | SHERWIN WILLIAMS PROMAR 200 ZERO VOC INTERIOR LATEX |
| PAINT | RESTROOM DOORS (A STORAGE & OFFICE DOORS WHEN VISIBLE TO CUSTOMER) | | PT-4A | SHERWIN WILLIAMS | #SW2739 CHARCOAL BLUE | DARK BLUE | SEMI-GLOSS | SHERWIN WILLIAMS PRO INDUSTRIAL WATER BASED ALKYD URETHANE |
| PAINT | DRYWALL WALLS | | PT-5 | SHERWIN WILLIAMS | #SW0033 REMBRANDT RUBY | RED | EGGSHELL | SHERWIN WILLIAMS PROMAR 200 ZERO VOC INTERIOR LATEX |
| PAINT | WOOD TRIM, DINING & RR DOOR FRAMES, EXT. RAILING, PATIO STRUCTURE | | PT-6 | SHERWIN WILLIAMS | #SW6991 BLACK MAGIC | BLACK | SEMI-GLOSS | SHERWIN WILLIAMS PRO INDUSTRIAL WATER BASED ALKYD URETHANE |
| PAINT | KITCHEN DOORS (INTERIOR FACES) & KITCHEN COLUMNS | | PT-7 | SHERWIN WILLIAMS | #SW7008 EXTRA WHITE | WHITE | SEMI-GLOSS | SHERWIN WILLIAMS PRO INDUSTRIAL WATER BASED ALKYD URETHANE |
| PAINT-PRIMER | DRYWALL WALLS | | PRIMER-1 | SHERWIN WILLIAMS | - | - | - | SHERWIN WILLIAMS PROMAR 200 ZERO VOC PRIMER |
| PAINT-PRIMER | WOOD (DOORS, TRIM) | | PRIMER-2 | SHERWIN WILLIAMS | - | - | - | SHERWIN WILLIAMS MULTI-PURPOSE INTERIOR/EXTERIOR PRIMER/SEALER |
| PAINT-PRIMER | METAL (DOOR FRAMES, STEEL COLUMNS, RAILINGS) | | PRIMER-3 | SHERWIN WILLIAMS | - | - | - | SHERWIN WILLIAMS PROCRYL UNIVERSAL METAL PRIMER |
| FIRE TREATMENT | WOOD SIDING CLEAR COAT | | FTR-1 | - | FLAME CONTROL 129130 | - | LOW-SHEEN | FIRE TREATMENT COATING CLASS 'C' CLEAR COAT |

CONSULTANT:
JOHN SPONSELLER, ARCHITECT
8025 W. 25TH PL.
LAKEWOOD, CO 80214
TEL: (303) 815-0161



Bad Daddy's BURGER BAR
GOOD TIMES RESTAURANTS, INC.
141 Union Blvd., Suite 400
Lakewood, CO 80228
303-384-1430

BAD DADDY'S BURGER BAR
"EASTCHASE"
THE VENUE EASTCHASE
NWC EASTCHASE PKWY & EASTCHASE LN.
MONTGOMERY, AL 36117

Issue Record:

| | |
|-----------|-----------------|
| 4.23.2019 | FOR PLAN REVIEW |
| 5.6.2019 | WALKIN BOX |
| 7.1.2019 | CANOPY REVS |
| 2.10.2021 | TO GO REVS |

Drawn:
DRAWN BY: JS, KC

Checked:
CHECKED BY: JS

Project No.
PROJECT#: 19-207

Contact:

SCHEDULES

A600

Date of Last Print:
2.10.2021