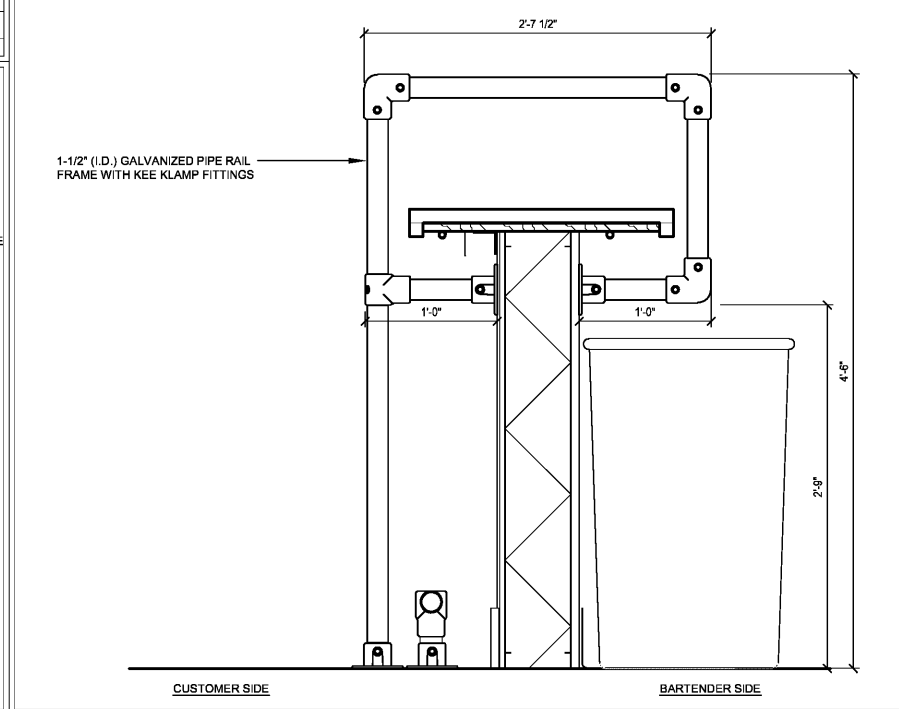
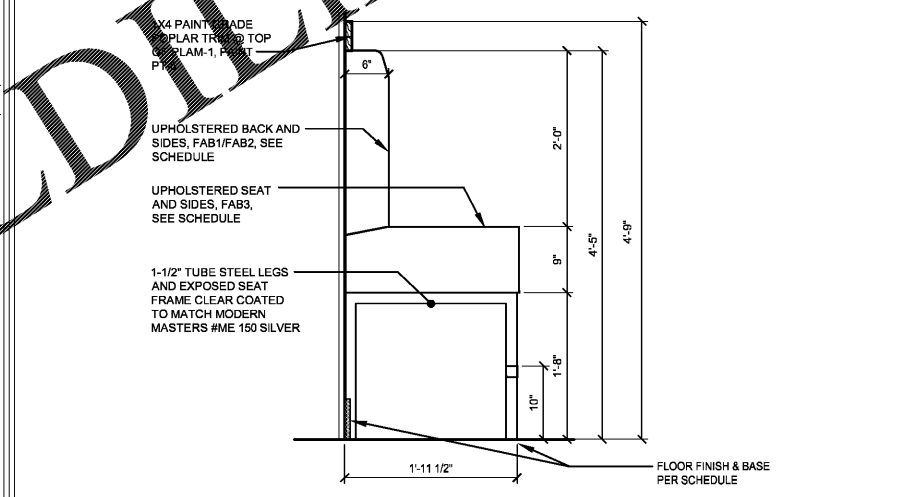
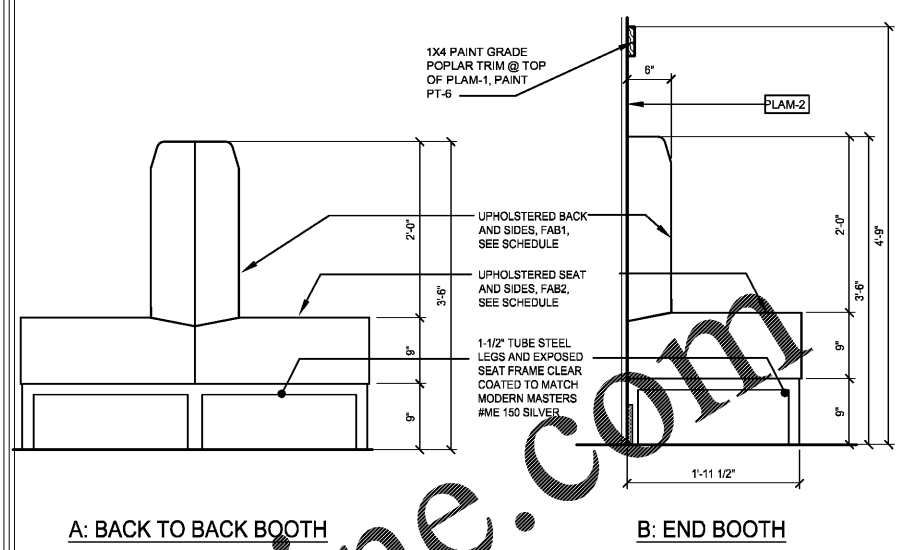
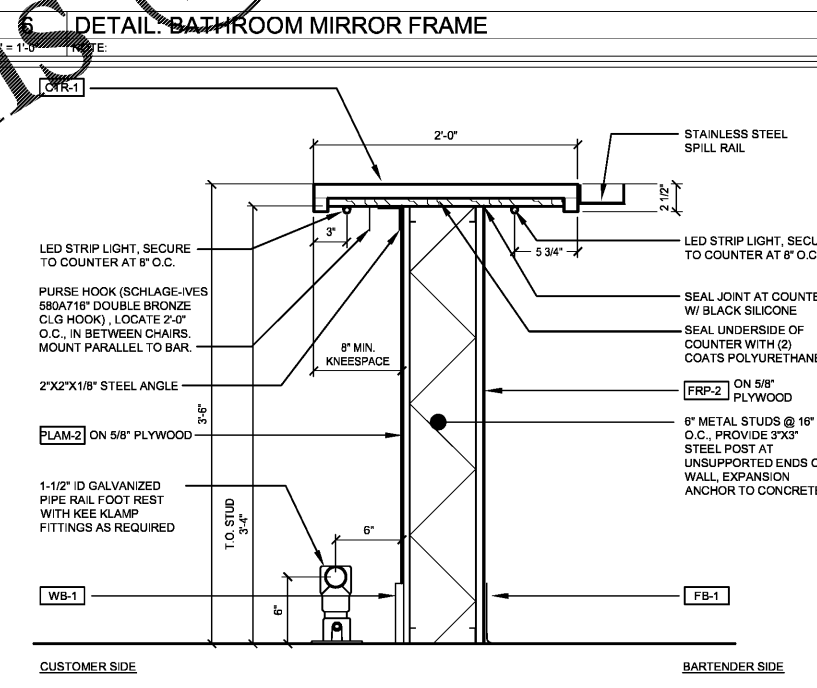
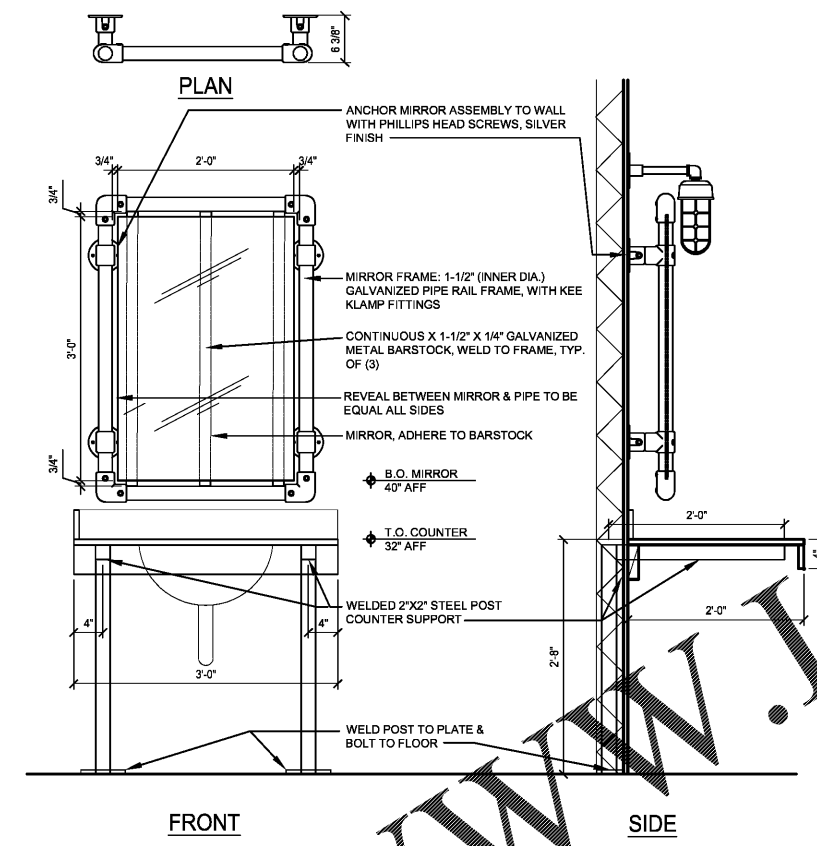
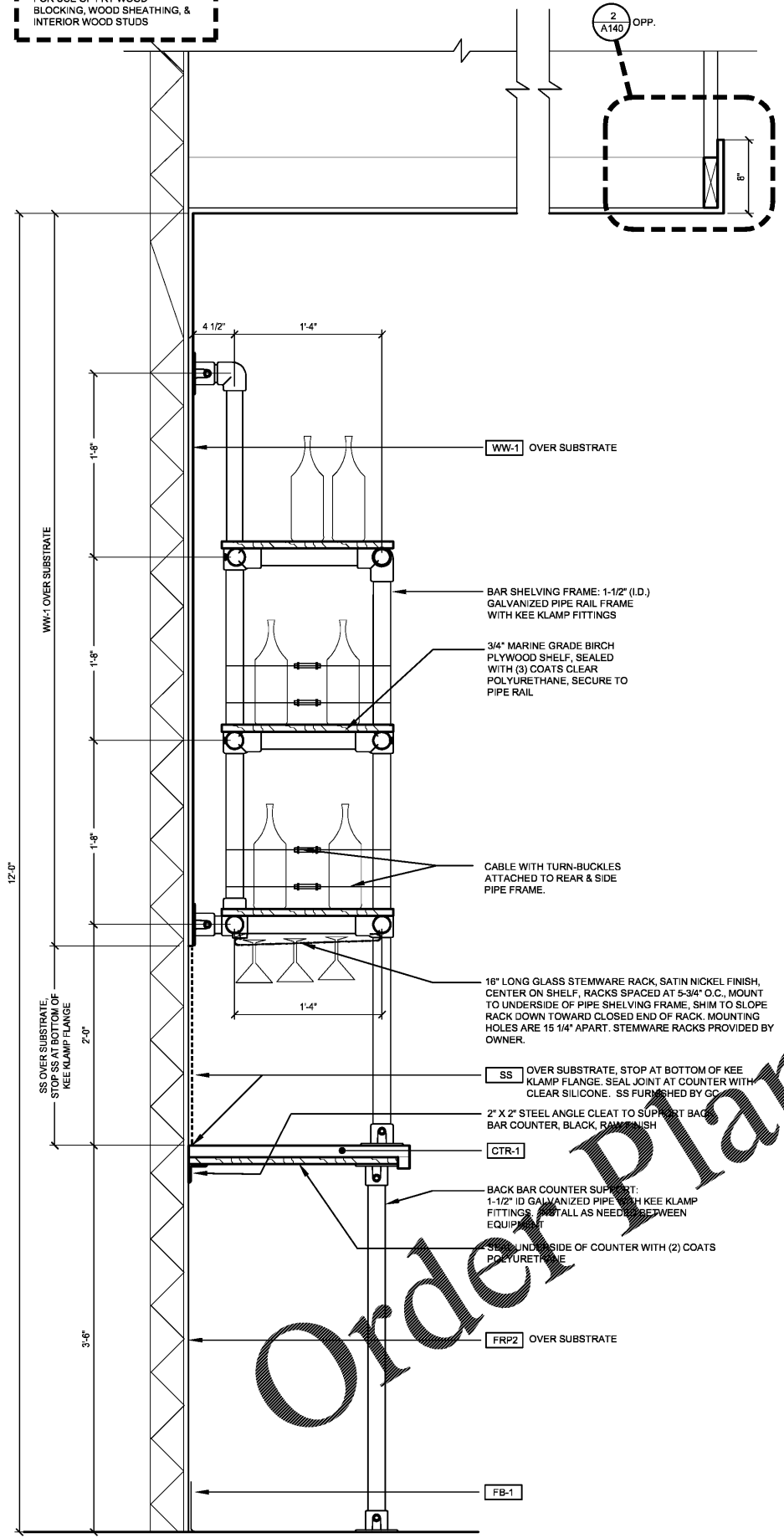
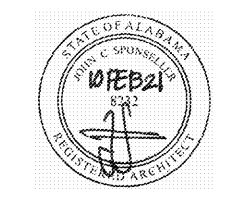


SEE GENERAL NOTES SHEET A000 FOR USE OF FRT WOOD BLOCKING, WOOD SHEATHING, & INTERIOR WOOD STUDS



CONSULTANT:  
**JOHN SPONSELLER, ARCHITECT**  
8025 W. 25TH PL.  
LAKEWOOD, CO 80214  
TEL: (303) 815-0161



GOOD TIMES RESTAURANTS, INC.  
141 Union Blvd., Suite 400  
Lakewood, CO 80228  
303-384-1430

BAD DADDY'S BURGER BAR  
"EASTCHASE"  
THE VENUE EASTCHASE  
NWC EASTCHASE PKWY &  
EASTCHASE LN.  
MONTGOMERY, AL 36117

Issue Record:

4.23.2019	FOR PLAN REVIEW

Revisions:

5.6.2019	WALKIN BOX
7.1.2019	CANOPY REVS
2.10.2021	TO GO REVS

Drawn:  
DRAWN BY: JS, KC  
Checked:  
CHECKED BY: JS  
Project No.  
PROJECT#: 19-207  
Contractor:

DETAILS  
**A400**  
Date of Last Print:  
4.23.2019