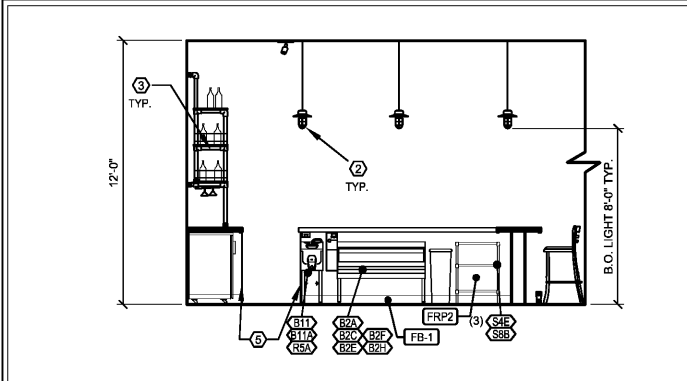
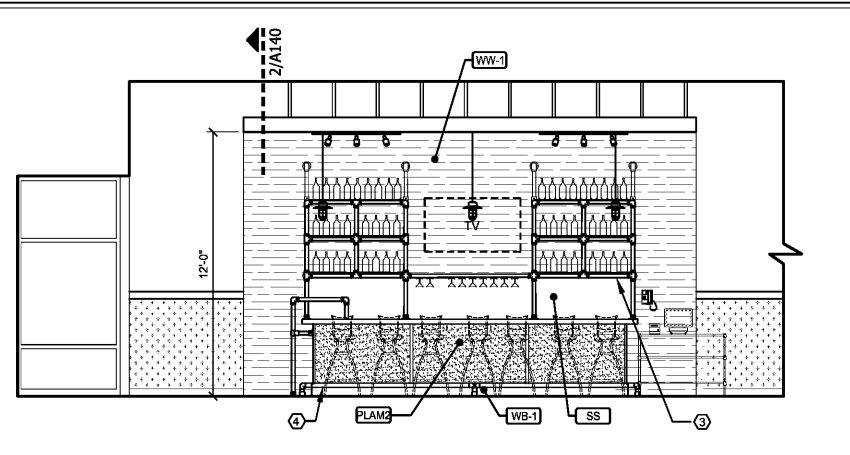


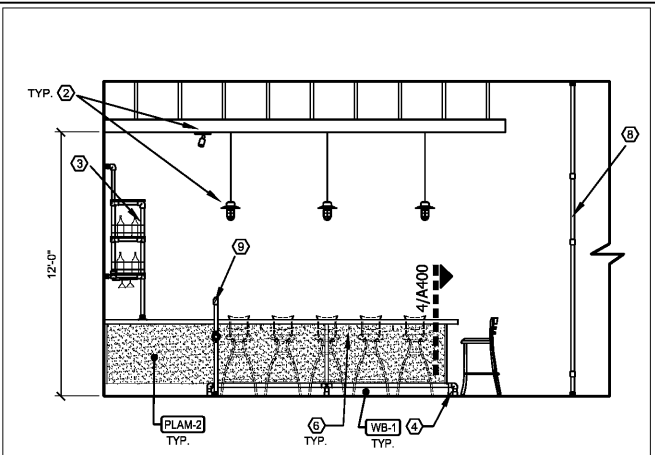
1 KEY PLAN: BAR
1/4" = 1'-0" NOTE:



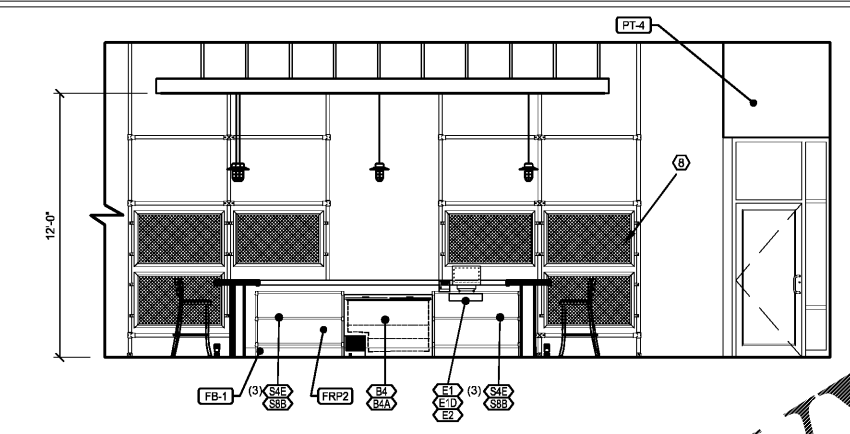
4 ELEVATION: BAR
1/4" = 1'-0" NOTE:



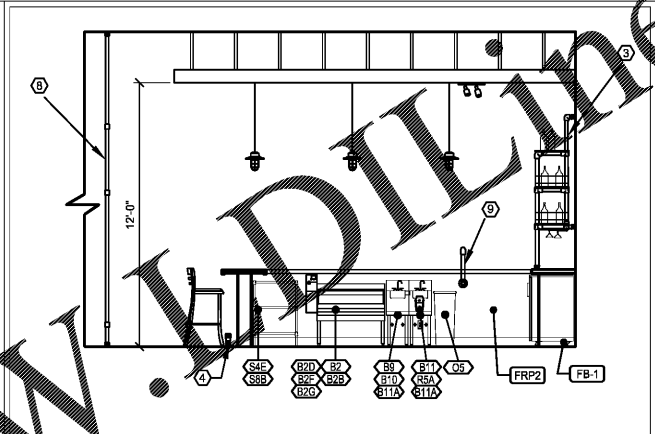
2 ELEVATION: BAR
1/4" = 1'-0" NOTE:



3 ELEVATION: BAR
1/4" = 1'-0" NOTE:



5 ELEVATION: BAR
1/4" = 1'-0" NOTE:



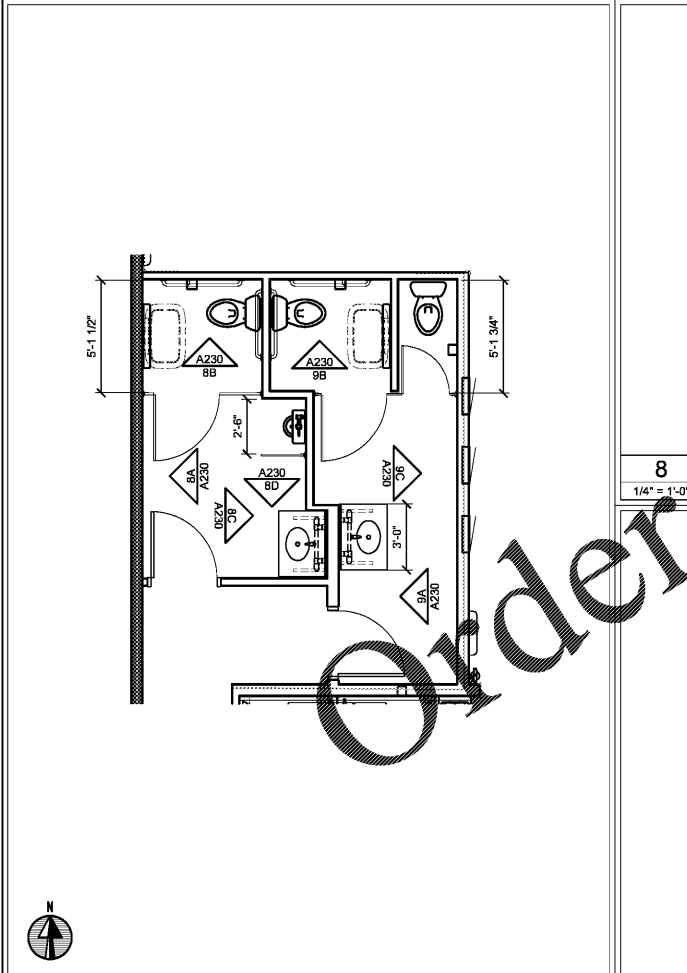
6 ELEVATION: BAR
1/4" = 1'-0" NOTE:

GENERAL NOTES:

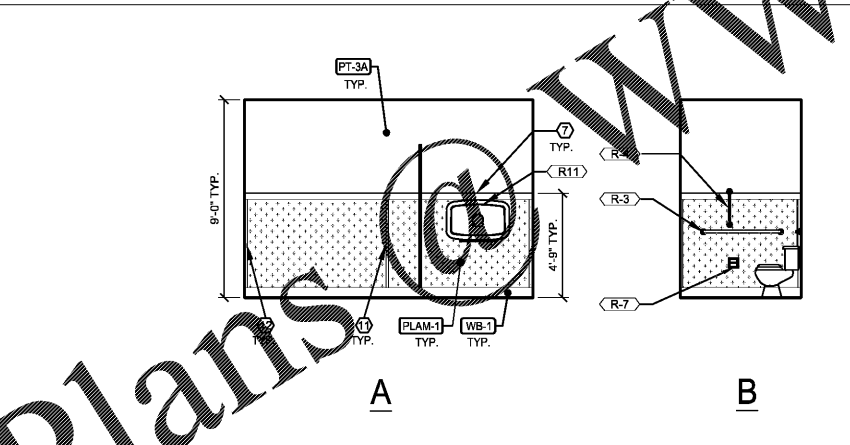
- SEE SHEETS K3-K5 FOR EQUIPMENT SCHEDULE.
- SEE SHEET A127 FOR WALL FINISH PLAN.
- ALL NOTES SHOWN ARE TYP. AT SIMILAR CONDITIONS.
- PLAM-1 JOINTS: PROVIDE 1-1/2" X 1-1/2" GALVANIZED STEEL ANGLE TRIM AT CORNERS. 1-1/2" GALVANIZED STEEL FLAT STOCK TO COVER BUTT PANEL JOINTS, ATTACH WITH SILICONE ADHESIVE.

KEY NOTES:

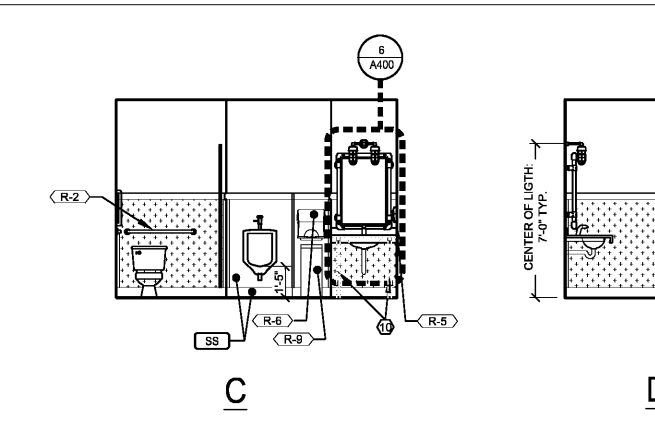
- 1-1/2" X 1-1/2" STEEL ANGLE TRIM AT CORNERS. 1-1/2" STEEL FLAT STOCK TO COVER BUTT PANEL JOINTS. PLAM-2 AS NECESSARY.
- LIGHT FIXTURE. SEE A600 FOR MOUNTING HEIGHTS.
- BAR SHELVES: 1 1/2" (INNER DIA.) GALVANIZED PIPE W/ KEE KLAMP FITTINGS.
- 1 1/2" DIA. GALVANIZED PIPE FOR RES. W/ KEE KLAMP FITTINGS, 4/A400.
- PROVIDE 3" X 3" STEEL ANGLE STIFFENER AT FREE ENDS OF WALL, EXPANSION ANCHOR TO SLAB, CONNECT TO WALL FRAMING.
- PURSE HOOK
- 1X4 PAINT GRADE POPLAR TRIM, PAINT PT-6.
- METAL SCREEN. SEE DETAILS ON SHEET A430.
- PIPE RAIL DIVIDER: 1 1/2" (INNER DIA.) GALVANIZED PIPE W/ KEE KLAMP FITTINGS.
- PROVIDE 2X2" SQUARE PIPE SINK DECK SUPPORT. WELD LATERAL SUPPORT TO VERTICAL SECTION EMBEDDED IN WALL & BOLTED TO STUDS.
- 1/8" X 1-1/2" WIDE GALVANIZED STEEL FLAT STOCK TRIM, SILICONE TO STEEL DIAMOND PLATE, TYP. AT ALL VERTICAL JOINTS NOT IN CORNERS.
- 1/8" X 1-1/2" WIDE GALVANIZED STEEL ANGLE TRIM, SILICONE TO STEEL DIAMOND PLATE.



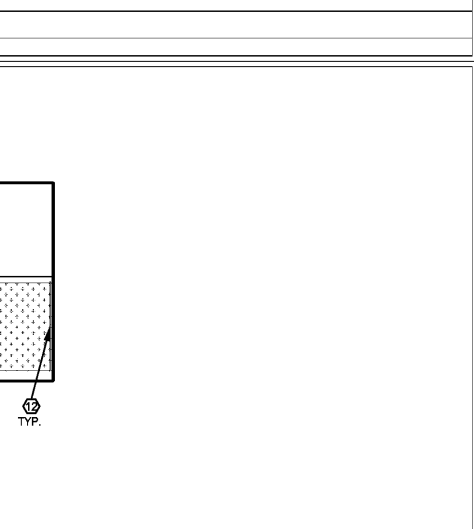
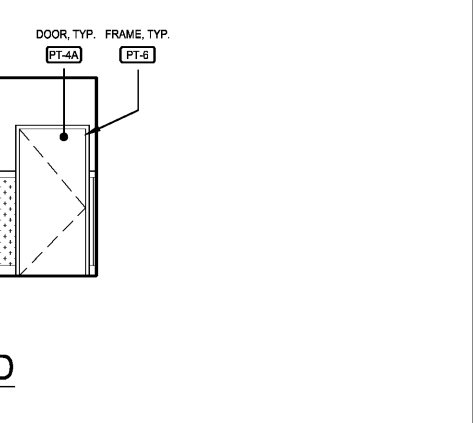
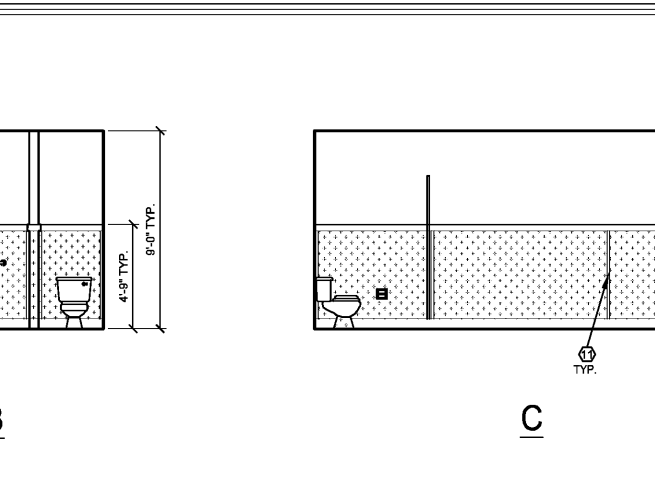
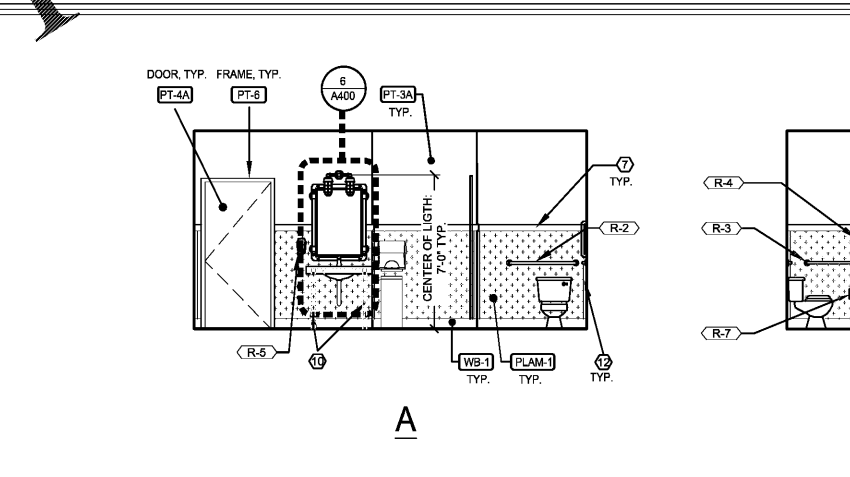
7 KEY PLAN: RESTROOMS
1/4" = 1'-0" NOTE:



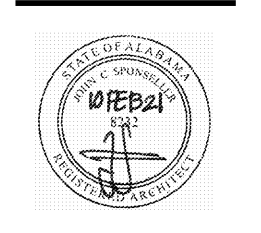
8 ELEVATION: MEN'S RESTROOM
1/4" = 1'-0" NOTE:



9 ELEVATION: WOMEN'S RESTROOM
1/4" = 1'-0" NOTE:



CONSULTANT:
JOHN SPONSELLER, ARCHITECT
8025 W. 25TH PL.
LAKEWOOD, CO 80214
TEL: (303) 815-0161



BAD DADDY'S BURGER BAR
"EASTCHASE"
THE VENUE EASTCHASE
NWC EASTCHASE PKWY &
EASTCHASE LN.
MONTGOMERY, AL 36117

Issue Record:

4.23.2019	FOR PLAN REVIEW

Revisions:

5.6.2019	WALK IN BOX
7.1.2019	CANOPY REVS
2.10.2021	TO GO REVS

Drawn:
DRAWN BY: JS, KC

Checked:
CHECKED BY: JS

Project No.
PROJECT#: 19-207

Contractor:

INTERIOR ELEVATIONS

A230
Date of Last Print:
4.23.2019