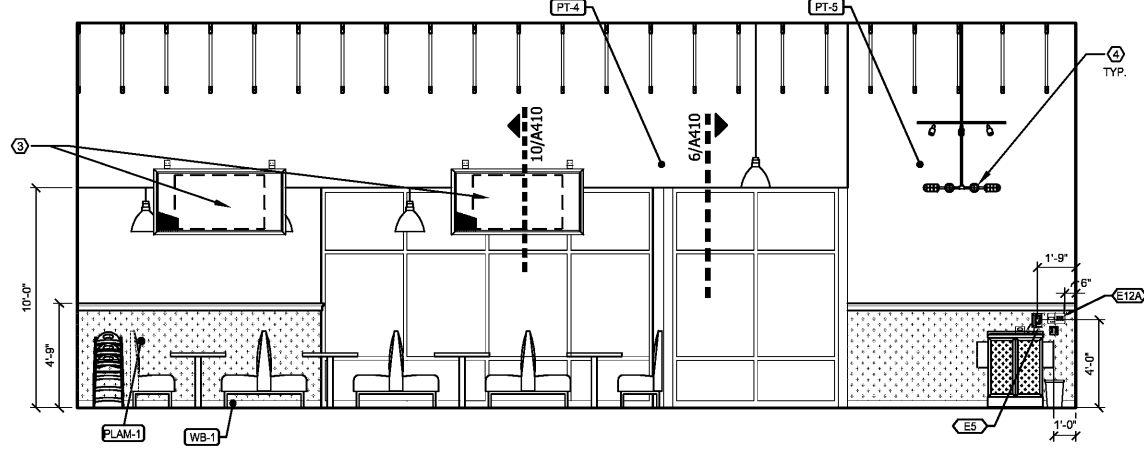


1 ELEVATION : SERVER/ KITCHEN

1/4" = 1'-0" NOTE:



2 ELEVATION : DINING

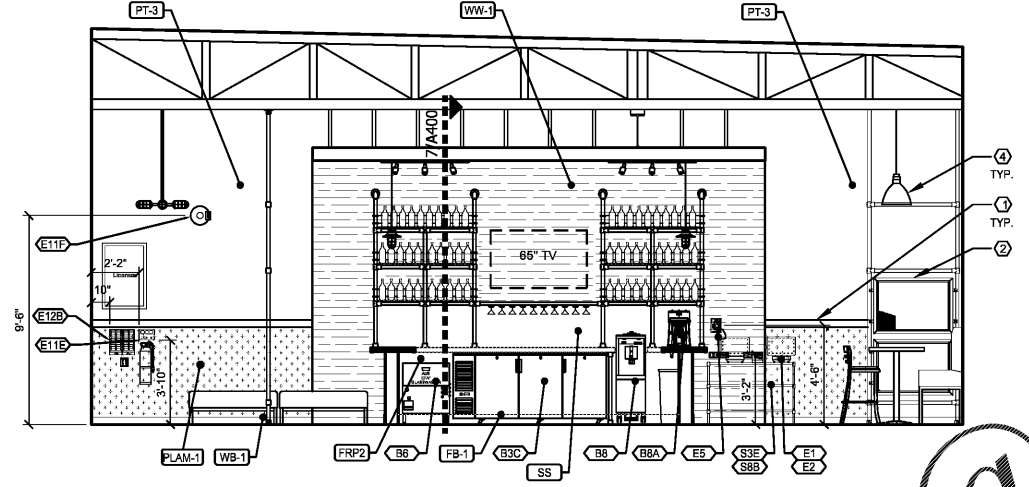
1/4" = 1'-0" NOTE:

GENERAL NOTES:

1. SEE SHEETS K3-K5 FOR EQUIPMENT SCHEDULE.
2. SEE SHEET A127 FOR WALL FINISH PLAN.
3. ALL NOTES SHOWN ARE TYP. AT SIMILAR CONDITIONS.
4. PLAM-1 JOINTS: INSTALL OWNER-SUPPLIED 1-1/2" X 1-1/2" GALVANIZED STEEL ANGLE TRIM AT CORNERS. 1-1/2" GALVANIZED STEEL FLAT STOCK TO COVER BUTT PANEL JOINTS, ATTACH WITH SILICONE ADHESIVE.

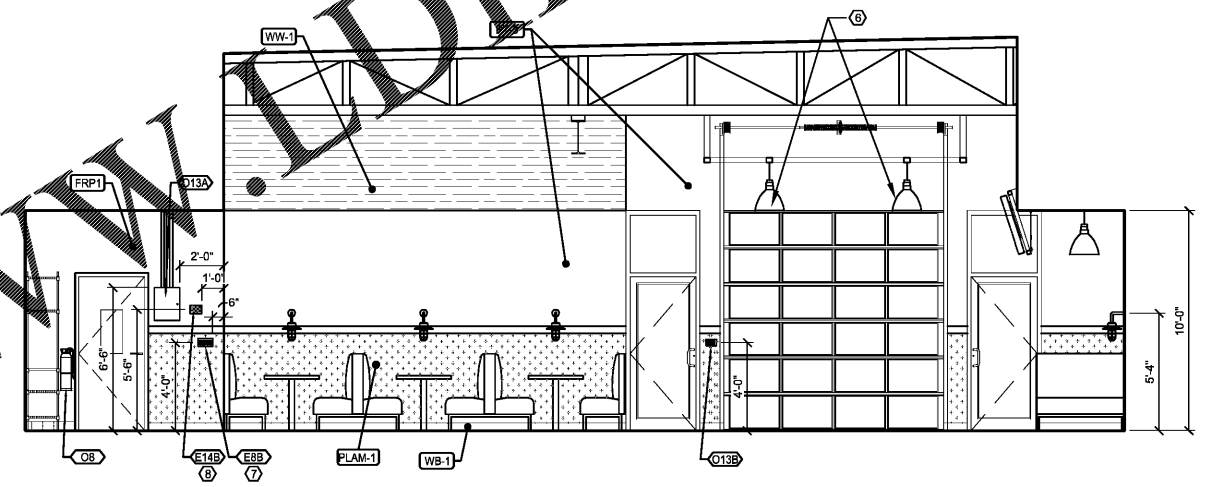
KEY NOTES:

1. 1X4 PAINT OR STAINLESS STEEL TRIM, PLY PT-6.
2. METAL SCREEN. SEE DETAIL ON SHEET A420.
3. TYP. MOUNTED METAL SCREEN W/ TV. SEE DETAIL 7/A410.
4. LIGHT FIXTURE. SEE A600 FOR MOUNTING HEIGHTS.
5. PROVIDE 3"X3" STEEL POST STIFFENER AT FREE ENDS OF WALL. EXPANSION ANCHOR TO SLAB, CONNECT TO WALL FRAMING.
6. HANG LIGHTS FROM UNISTRUT UNDER GARAGE DOOR.
7. VOLUME CONTROLS IN 4 GANG BOX.
8. MARLIN RMS8 IN 3 GANG BOX.



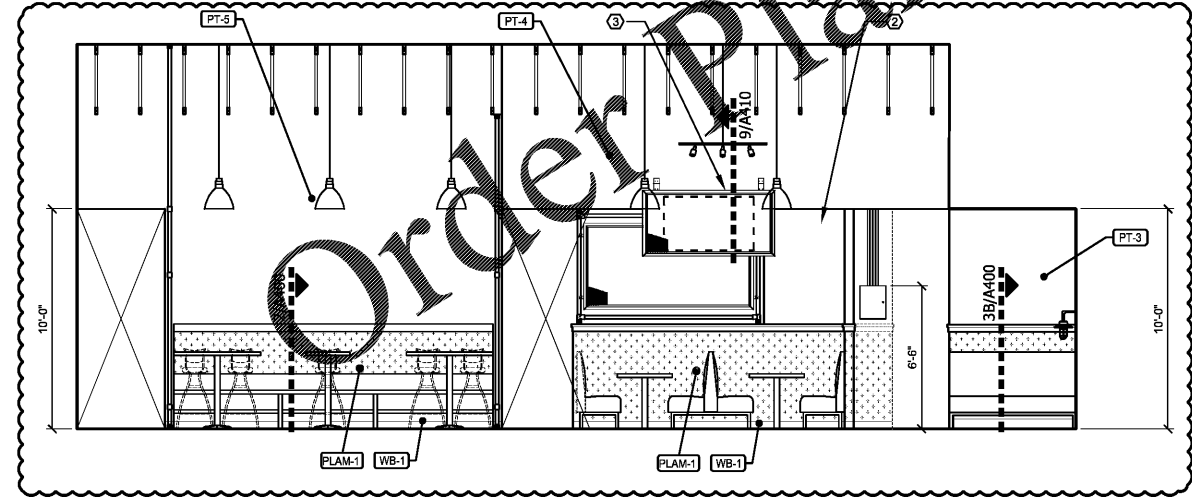
3 ELEVATION : BAR

1/4" = 1'-0" NOTE:



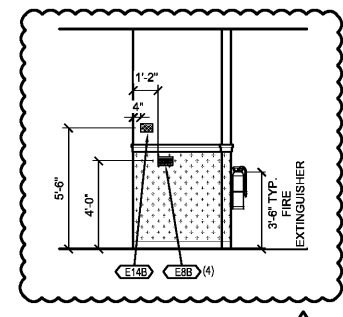
4 ELEVATION : DINING

1/4" = 1'-0" NOTE:



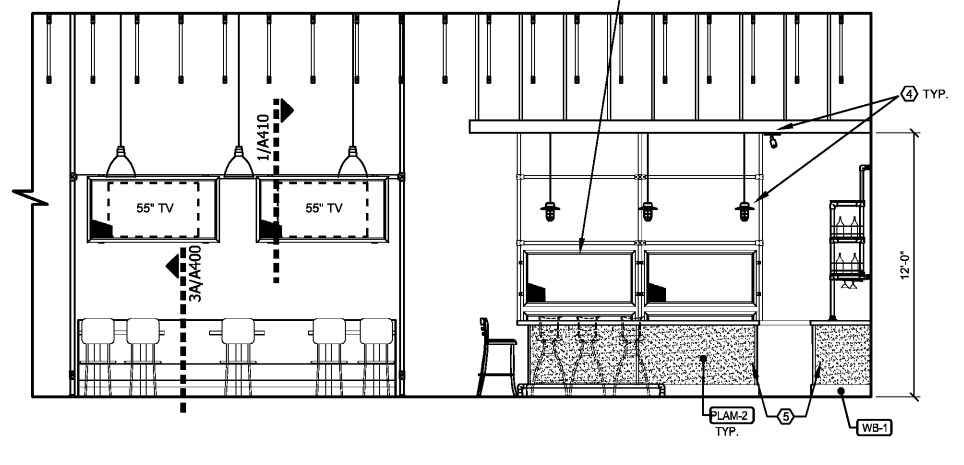
5 ELEVATION : DINING

1/4" = 1'-0" NOTE:



6 ELEVATION : PICKUP

1/4" = 1'-0" NOTE:



7 ELEVATION : DINING

1/4" = 1'-0" NOTE:

CONSULTANT:
JOHN SPONSELLER, ARCHITECT
 8025 W. 25TH PL
 LAKEWOOD, CO 80214
 TEL: (303) 815-0161



GOOD TIMES RESTAURANTS, INC.
 141 Union Blvd, Suite 400
 Lakewood, CO 80228
 303-884-1430

BAD DADDY'S BURGER BAR
 "EASTCHASE"
 THE VENUE EASTCHASE
 NWC EASTCHASE PKWY &
 EASTCHASE LN.
 MONTGOMERY, AL 36117

Issue Record:

4.23.2019	FOR PLAN REVIEW

Revisions:

5.6.2019	WALKIN BOX
7.1.2019	CANOPY REVS
2.10.2021	TO GO REVS

Drawn By: JS, KC
 Checked By: JS
 Project No. 19-207
 Contactor:

INTERIOR ELEVATIONS

A220
 Date of Last Print: 2.10.2021