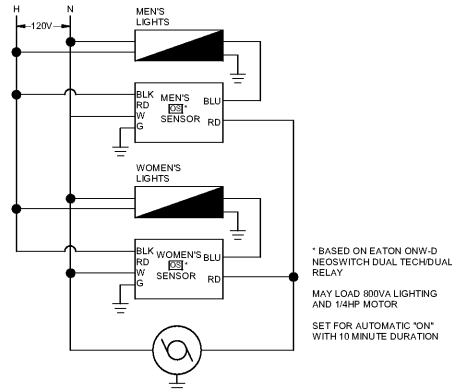
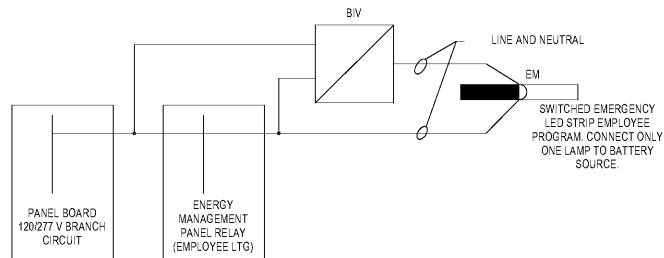


8 BUTTON OVERRIDE SWITCH

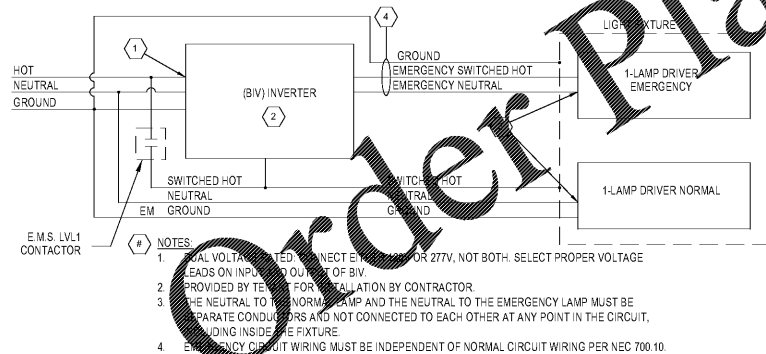
5 MANAGER OFFICE EMS OVERRIDE SWITCH
NOT TO SCALE



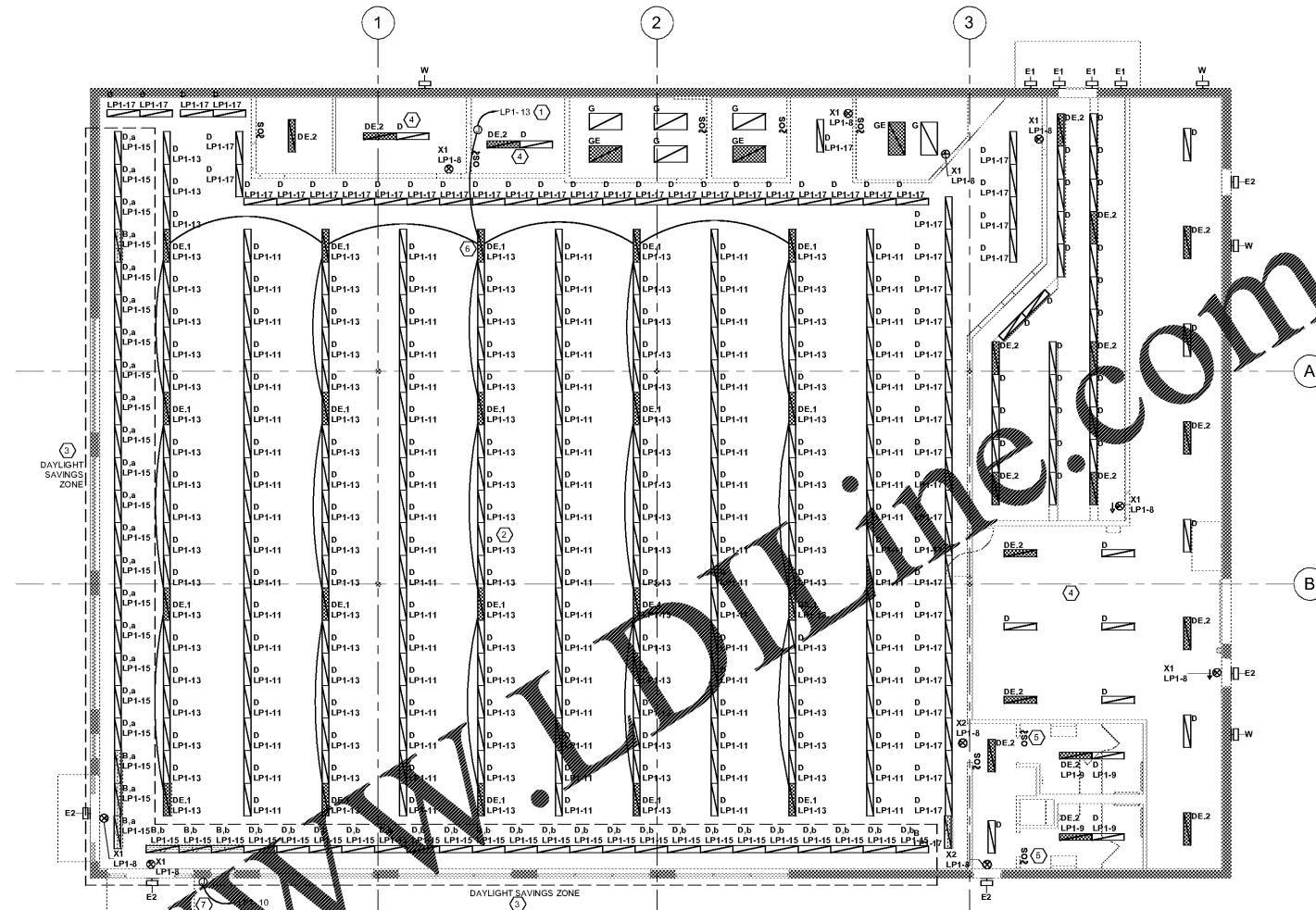
4 SCHEMATIC DESIGN - BATHROOM OCCUPANCY SENSOR
NOT TO SCALE



3 EMERGENCY LIGHTING SCHEMATIC DIAGRAM
NOT TO SCALE



2 SCHEMATIC DESIGN - INVERTER WIRING (BIV)
NOT TO SCALE



ELECTRICAL LIGHTING PLAN

| PNL-CKT# | CIRCUIT DESCRIPTION | EMS ZONES | NOTES |
|----------|-----------------------------|-----------|-------|
| LP1-15 | DAYLIGHT LIGHTING | 1,4 | 1,3 |
| --- | EXTERIOR LIGHTING | 2 | 2,8 |
| LP1-13 | EMPLOYEE SALES LIGHTING | 1,5 | 1,4 |
| --- | EMPLOYEE PRE-SALES LIGHTING | 1,3 | 1,5,8 |
| LP1-11 | CUSTOMER SALES LIGHTING | 1,6 | 1,6 |
| LP1-17 | CUSTOMER SALES LIGHTING | 1,6 | 1,6 |
| --- | RESTROOM LIGHTING | --- | 7,8 |

- NOTES:
- CONTROLLED VIA TIMELOCK VIA INTERIOR LIGHT TIMED OVERRIDE ZONE ON EMS.
 - CONTROLLED VIA TIMELOCK VIA EXTERIOR LIGHT TIMED OVERRIDE ZONE ON EMS.
 - CONTROLLED MANUALLY FROM PUSH BUTTON VIA DAYLIGHT HARVEST ON/OFF ZONE ON EMS.
 - CONTROLLED MANUALLY FROM PUSH BUTTON VIA EMPLOYEE SALES ON/OFF ZONE ON EMS.
 - CONTROLLED MANUALLY FROM PUSH BUTTON VIA PRE-SALES AREA ON/OFF ZONE ON EMS.
 - CONTROLLED MANUALLY FROM PUSH BUTTON VIA CUSTOMER SALES ON/OFF ZONE ON EMS.
 - PROVIDE HANDLE LOCKING HARDWARE TO LOCK CIRCUIT ON AND ALLOW CIRCUIT BREAKER TO TRIP.
 - TRACE EXISTING LIGHTING FIXTURE CIRCUITS AND CIRCUIT TO NOTED EMS ZONES.

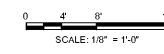
KEYED NOTES

- CONTRACTOR TO CONNECT ONE OF TWO LAMP TO BIV CONTROLLED EMPLOYEE CIRCUIT. SEE DETAIL 3 THIS SHEET. INSTALL 720VA INVERTER UNIT.
- CONTRACTOR TO VERIFY BULB TYPE IN EXISTING 4" LINEAR FIXTURES AND PROVIDE WITH RETROFIT LED KIT IF REQUIRED. REFER TO LIGHTING CONVERSION NOTES ON SHEET E-001 FOR MORE DETAILS. CIRCUIT NUMBERING FOR SALES AREA IS DIAGRAMATIC. CONTRACTOR TO VERIFY EXISTING CIRCUITING MEETS EMS AND SWITCHING REQUIREMENTS AS LAID OUT IN LIGHTING CONVERSION NOTES. IF REQUIREMENTS ARE NOT MET, CIRCUIT AS SHOWN.
- PROVIDE AUTOMATIC DIMMING BASED ON AVAILABLE DAYLIGHT PER IECC REQUIREMENTS FOR DAYLIGHT HARVESTING. ENSURE FIXTURES ARE EQUIPPED WITH DIMMABLE DRIVERS AND PROVIDE ALL POWERPACKS AND ACCESSORIES AS REQUIRED. CONNECT FIXTURES TO OFFICE EMS REMOTE LOW VOLTAGE SWITCH FOR DAYLIGHT HARVEST CONTROL. COORDINATE WORK WITH EMS SYSTEM INSTALLER.
- MAINTAIN EXISTING LIGHTING CIRCUITS FOR ALL PRE-SALES AREA, OFFICE AREA, AND EXTERIOR LIGHTING. CONNECT EXISTING LIGHTING FIXTURES TO SWITCH ZONES AS SPECIFIED ON PLANS OR IN LIGHT CONTROLS SCHEDULE.
- INSTALL OCCUPANCY SENSOR ON WALL NEXT TO DOOR IN RESTROOM. SEE DETAIL 4 ON THIS SHEET FOR CONNECTION OF ROOM LIGHTING AND EXHAUST FAN.
- CONNECT BOTH SWITCHED AND UN-SWITCHED CIRCUIT LEG FROM SAME CIRCUIT. SEE DETAIL 3 THIS SHEET. MODIFY FIXTURE WIRING HARNESS AS NEEDED TO CONNECT ONLY ONE LAMP TO BIV. TYPICAL FOR ALL SALES FLOOR EMERGENCY FIXTURES.
- PROVIDE ROUGH IN FOR TENANT STOREFRONT SIGN(S) AND AWING WHERE APPLICABLE. FINAL CONNECTIONS WILL BE FURNISHED AND INSTALLED BY TENANT'S SIGN CONTRACTOR. FURNISH AND INSTALL JUNCTION BOXES W/WHIP ON WALL ABOVE ACCESSIBLE CEILING. CONTRACTOR SHALL COORDINATE FINAL JUNCTION BOX LOCATION WITH SIGN VENDOR. JUNCTION BOXES NEED TO BE WITHIN 5 FEET OF SIGN FOR SIGN VENDOR TO MAKE FINAL ELECTRICAL CONNECTION. IF STORE HAS ADDITIONAL SIDE OR REAR SIGNAGE THE CONTRACTOR SHALL COORDINATE WITH THE SIGN VENDOR FOR ANY ADDITIONAL EXTERIOR SIGNAGE AND THE ASSOCIATED ELECTRICAL REQUIREMENTS. AFTER THE ELECTRICAL DESIGN IS COMPLETE, IT MAY BE DETERMINED THAT CERTAIN SITES REQUIRE SIDE OR REAR SIGNAGE.

| Tag | Description | Mounting | Lamp | Wattage | Voltage | Notes |
|------|---|----------|-------------|---------|---------|-------|
| A | 8'-0" STRIP LIGHT | SURFACE | (2) 18W LED | 36 W | 120/277 | |
| AE.1 | 8'-0" STRIP LIGHT EMERGENCY LIGHT | SURFACE | (2) 18W LED | 36 W | 120/277 | 1 |
| AE.2 | 8'-0" STRIP LIGHT EMERGENCY LIGHT | SURFACE | (2) 18W LED | 36 W | 120/277 | 2 |
| B | 4'-0" STRIP LIGHT | SURFACE | (1) 18W LED | 18 W | 120/277 | |
| BE.1 | 4'-0" STRIP LIGHT EMERGENCY LIGHT | SURFACE | (1) 18W LED | 18 W | 120/277 | 1 |
| BE.2 | 4'-0" STRIP LIGHT EMERGENCY LIGHT | SURFACE | (1) 18W LED | 18 W | 120/277 | 2 |
| C | EXISTING 8'-0" STRIP LIGHT | SURFACE | (2) 18W LED | 36 W | 120/277 | |
| CE.1 | EXISTING 8'-0" STRIP LIGHT EMERGENCY LIGHT | SURFACE | (2) 18W LED | 36 W | 120/277 | 1 |
| CE.2 | EXISTING 8'-0" STRIP LIGHT EMERGENCY LIGHT | SURFACE | (2) 18W LED | 36 W | 120/277 | 2 |
| D | EXISTING 4'-0" STRIP LIGHT | SURFACE | (1) 18W LED | 18 W | 120/277 | |
| DE.1 | EXISTING 4'-0" STRIP LIGHT EMERGENCY LIGHT | SURFACE | (1) 18W LED | 18 W | 120/277 | 1 |
| DE.2 | EXISTING 4'-0" STRIP LIGHT EMERGENCY LIGHT | SURFACE | (1) 18W LED | 18 W | 120/277 | 2 |
| E1 | EXISTING EXTERIOR DOWNLIGHT | WALL | LED | 3 W | 120/277 | 3 |
| E2 | EXISTING EMERGENCY EXTERIOR DOWNLIGHT | WALL | LED | 3 W | 120/277 | 3,4 |
| F | DOWNLIGHT | RECESSED | LED | 20 W | 120/277 | |
| G | EXISTING 2'-4" LINEAR FIXTURE | RECESSED | LED | 40 W | 120/277 | |
| GE | EXISTING 2'-4" LINEAR FIXTURE EMERGENCY LIGHT | RECESSED | LED | 40 W | 120/277 | 3 |
| W | EXISTING EXTERIOR WALL PACK | WALL | LED | 40 W | 120/277 | 4 |
| X1 | EXIT SIGN, SINGLE OR DOUBLE FACE | SURFACE | LED | 3 W | 120/277 | 3 |
| X2 | EXISTING EXIT SIGN, SINGLE OR DOUBLE FACE | SURFACE | LED | 3 W | 120/277 | 3 |

ALL FIXTURES SHOWN ARE NOT NECESSARILY USED IN THIS PROJECT. REFER TO ELECTRICAL LIGHTING PLAN.

- NOTES:
- EMERGENCY LIGHT WIRING TO REMOTE BATTERY INVERTER AND CONTROLLED CIRCUIT. INVERTER TO PROVIDE FULL LUMEN OUTPUT DURATION OF 90 MINUTE MINIMUM.
 - EMERGENCY LIGHT CONNECTED TO BATTERY BACKUP AND CONTROLLED CIRCUIT. BATTERY BACKUP TO PROVIDE 1200 LUMEN OUTPUT DURATION OF 90 MINUTE MINIMUM.
 - EMERGENCY LIGHTING BATTERY BACKUP MOUNTED AT 10'-0" INSIDE BUILDING. BATTERY BACKUP TO PROVIDE FULL LUMEN OUTPUT DURATION OF 90 MINUTE MINIMUM.
 - EXTERIOR FIXTURES SHALL BE U.L. LISTED FOR WET LOCATIONS AND COLD WEATHER OPERATION.
 - EXIT SIGN PROVIDED WITH INTEGRAL BATTERY BACKUP UNO. PROVIDE WITH DIRECTIONAL CHEVRON(S) AS INDICATED ON PLANS.



DATE: 02/04/2021
PROJECT: 281803726.04
DESIGNED: JDP
DRAWN: JDP
CHECKED: DBY

RRMM ARCHITECTS, PC
Robert S. Berz, Jr., Architect
Duane M. Harver, Architect

1317 Executive Blvd, Suite 200
Chesapeake, VA 23320
(757)822-2828 / fax (757)822-8883

FORMER WALGREENS, FDS #197103
COCHRAH, GA

ELECTRICAL LIGHTING PLAN

sheet E-300