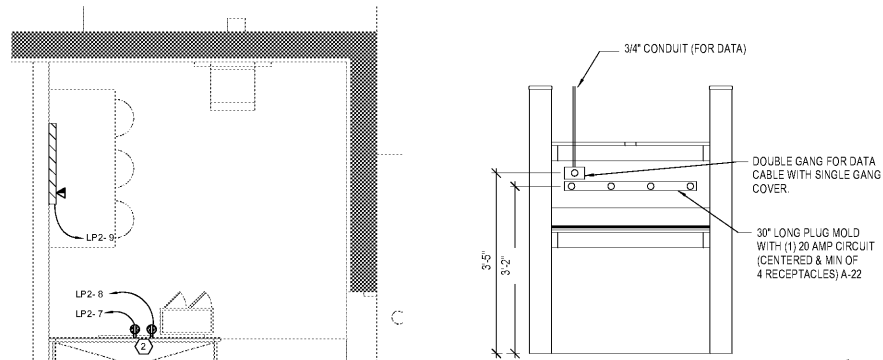


EQPM CIRCUITING SCHEDULE		
EQPM TAG	PANEL - CIRCUIT	NOTES
3R-HP	SEE PLANS	1
4R-HP	SEE PLANS	1
5F-HP	SEE PLANS	2
RTU-1	MDP-19,21,23	3
RTU-2	MDP-7,9,11	4
RTU-3	MDP-26,28,30	3
RTU-4	MDP-8,10,12	4
RTU-5	MDP-2,4,6	4
RTU-6	MDP-1,3,5	4
AC-1	LP2-35	5
AC-2	LP2-36	5

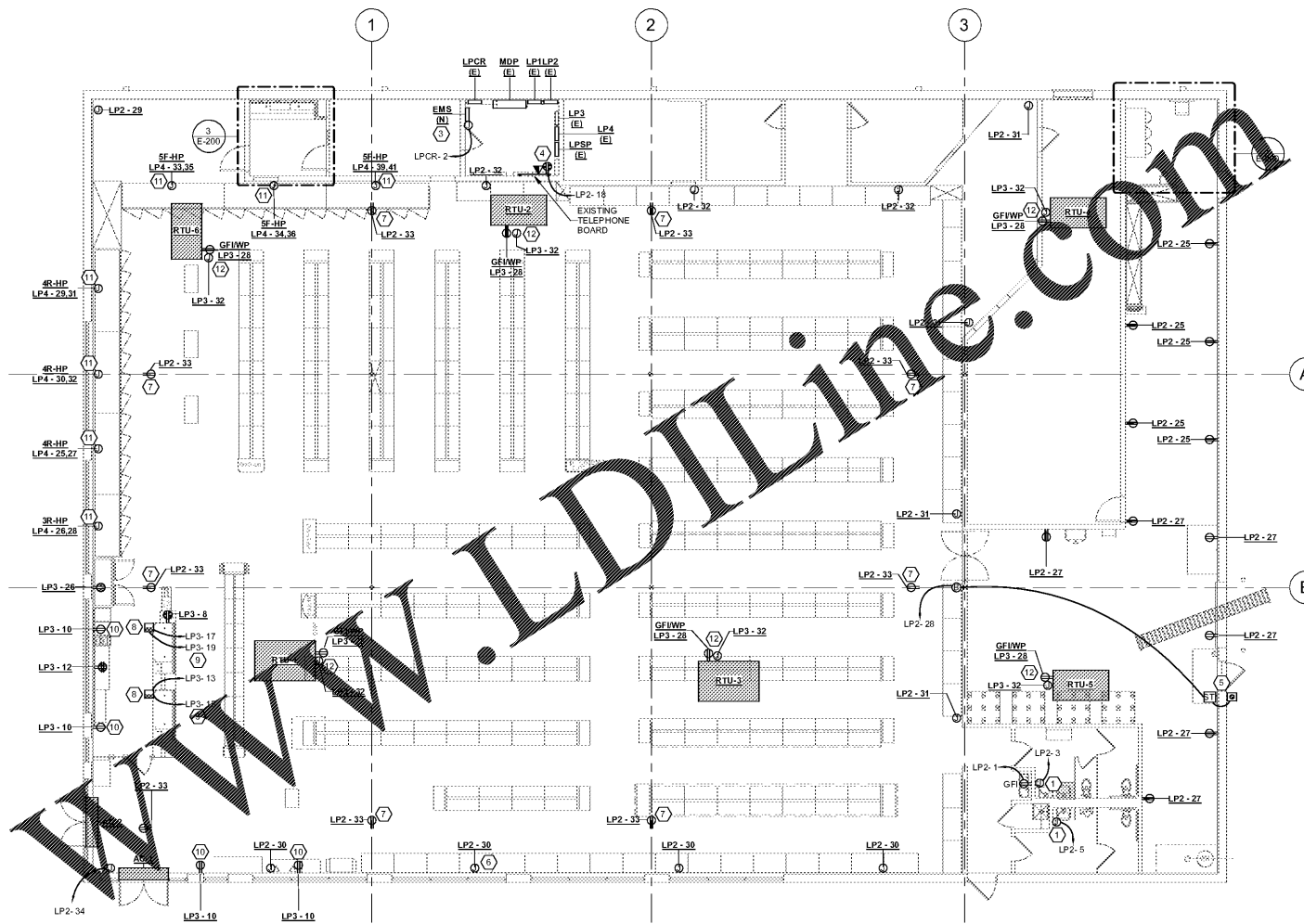
NOTES:

VERIFY ELECTRICAL REQUIREMENTS OF ALL EQUIPMENT WITH MANUFACTURER/VENDOR PRIOR TO ROUGH-IN AND INSTALLATION. INSTALL ALL EQUIPMENT PER MANUFACTURER'S INSTRUCTIONS.

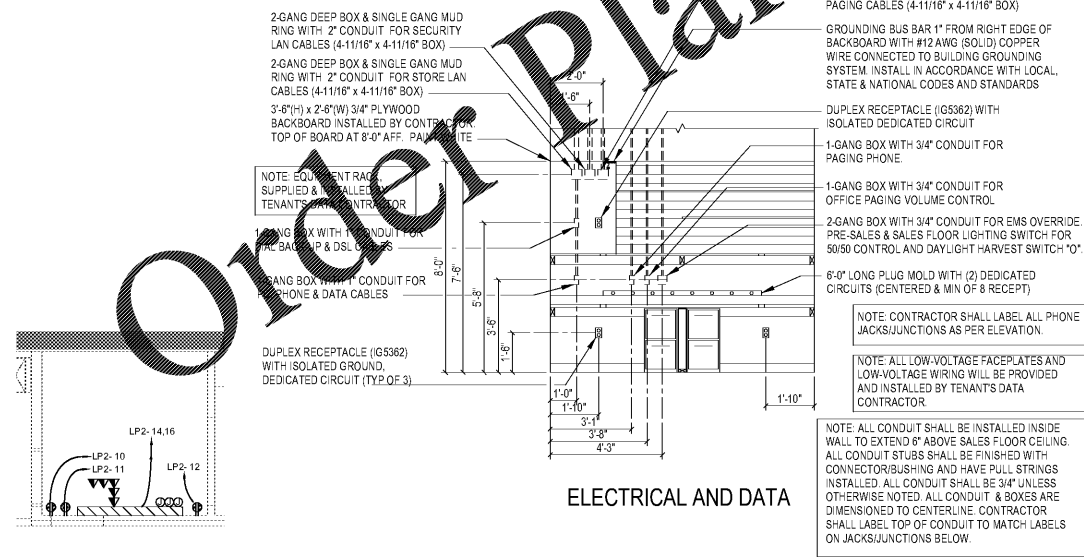
- PROVIDE EACH COOLER WITH ELECTRICAL DISCONNECT. DISCONNECT TO BE 30A/1P/240V/1NF. COORDINATE MOUNTING LOCATION WITH ARCHITECT IN FIELD.
- PROVIDE EACH FREEZER WITH ELECTRICAL DISCONNECT. DISCONNECT TO BE 60A/1P/240V/1NF. COORDINATE MOUNTING LOCATION WITH ARCHITECT IN FIELD.
- PROVIDE WITH ELECTRICAL DISCONNECT. DISCONNECT TO BE 150A/3P/240V/1N3R. COORDINATE MOUNTING LOCATION WITH PLB/MECH CONTRACTOR IN FIELD.
- PROVIDE WITH ELECTRICAL DISCONNECT. DISCONNECT TO BE 60A/3P/240V/1N3R. COORDINATE MOUNTING LOCATION WITH PLB/MECH CONTRACTOR IN FIELD.
- PROVIDE WITH ELECTRICAL DISCONNECT. DISCONNECT TO BE 30A/1P/240V/1N1. COORDINATE MOUNTING LOCATION WITH PLB/MECH CONTRACTOR IN FIELD.



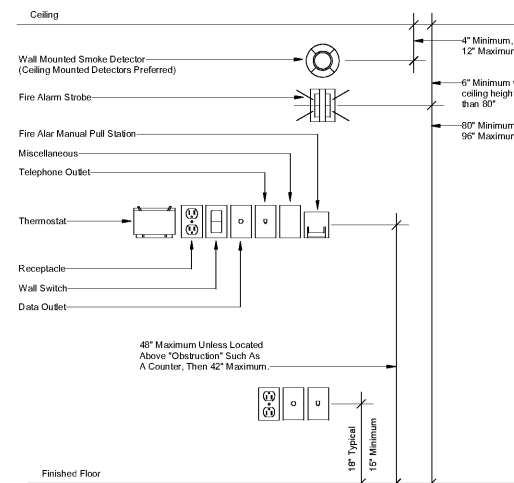
2 ENLARGED EMPLOYEE ROOM PLAN AND DESK ELEVATION
3/8" = 1'-0"



1 ELECTRICAL POWER PLAN
1/8" = 1'-0"

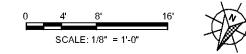


3 ENLARGED OFFICE PLAN AND ELEVATION
1/4" = 1'-0"



4 TYPICAL MOUNTING HEIGHTS
NOT TO SCALE

- KEYED NOTES**
- CONTRACTOR SHALL ROUGH-IN WITH WALL HANGER KIT FOR HAND DRYER.
 - MOUNTED +18" A.F.F. TO BE LOCATED NEXT TO LOCKERS. COORDINATE FINAL LOCATION WITH FIXTURE PLAN. PROVIDE DEDICATED CIRCUIT FOR EACH DUPLEX OUTLET.
 - CONTRACTOR SHALL REFER TO EMS SHEETS FOR INSTRUCTION AND RESPONSIBILITIES FOR INSTALLING TENANT SUPPLIED ENERGY MANAGEMENT SYSTEM PRIOR TO BIDDING AND INSTALLATION. PROVIDE CIRCUIT WITH HANDLE LOCKING HARDWARE TO LOCK CIRCUIT ON AND ALLOW CIRCUIT BREAKER TO TRIP.
 - CONTRACTOR SHALL BE RESPONSIBLE FOR COORDINATING WITH LANDLORD AND/OR LOCAL UTILITY CO REQUIREMENTS FOR BRINGING COMPLETE TELEPHONE SERVICE INTO TENANT SPACE. PROVIDE TELEPHONE BOARD RECEPTACLE CIRCUIT WITH HANDLE LOCKING HARDWARE TO LOCK CIRCUIT ON AND ALLOW CIRCUIT BREAKER TO TRIP.
 - REAR DOOR BELL AND PUSH-BUTTON: FURNISH AND INSTALL AN EDWARDS #55-6G5, 24V AC "ADAPT-A-BELL" ABOVE CEILING AND A #652 WEATHERPROOF PUSH-BUTTON IN FLUSH (NEW CONST.) SWITCH BOX AT TENANT SPACE BACK DOOR. CONNECT SO THAT BELL SOUNDS WHEN PUSH-BUTTON IS PRESSED.
 - MOUNT J-BOX ON FLOOR AND MAKE MC CONNECTION TO DUPLEX RECEPTACLE INSTALLED IN FIXTURE KICK PLATE. TYPICAL FOR ALL SALES AREA PERIMETER J-BOXES.
 - PROVIDE DUPLEX OUTLET MOUNTED IN CEILING TYLE FOR SECURITY CAMERA. PROVIDE CONNECTED CIRCUIT WITH HANDLE LOCKING HARDWARE TO LOCK CIRCUIT ON AND ALLOW CIRCUIT BREAKER TO TRIP. COORDINATE EXACT MOUNTING LOCATION AND REQUIREMENTS WITH OWNER'S SECURITY VENDOR.
 - THREE-CHANNEL TELEPOWER POLE WITH DIVIDER FOR TELEPHONE/DATA, ISOLATED POWER, AND NORMAL POWER. INSTALL TELEPOWER POLE AS SHOWN AT CHECKOUT AREA. WHEN COUNTER IS SET, POWER POLE WILL BE FURNISHED WITH 1 ISOLATED GROUND TWIST LOCK RECEPTACLE (CONNECT ISOLATED GROUND CIRCUIT TO THIS RECEPTACLE) AND 1 DUPLEX RECEPTACLE (CONNECT (f) NORMAL POWER CIRCUIT TO THIS RECEPTACLE).
 - DO NOT CONNECT "ISOLATED" GROUND WIRE TO RACEWAY OR BOX. CONDUIT AND BOX SHALL BE METAL AND METAL-TO-METAL CONNECTORS SHALL BE USED (NO FLEX CONDUIT) TO ESTABLISH GROUND PATH FOR BOX AND RACEWAY. DO NOT RUN ANY CIRCUITS WITH CASH REGISTER OR COMPUTER (IG) CIRCUITS. CASH REGISTER DATA SYSTEM CABLE SHALL BE FURNISHED AND INSTALLED BY OTHERS.
 - PROVIDE SHOW WINDOW RECEPTACLES ABOVE WINDOW AND LOCATED PER NEC ARTICLE 210.62. WHERE NO BULKHEAD EXIST ABOVE WINDOW LOCATE ON CEILING WITHIN 18" OF WINDOW. DEVICE AND COVER PLATE SHALL BE WHITE.
 - INSTALL JUNCTION BOX @ 100" A.F.F. TO TOP OF BOX. PROVIDE 10' LONG WHIP FROM BOX FOR CONNECTION TO EQUIPMENT.
 - SMOKE DETECTOR AND GFCL WP RECEPTACLES ARE FURNISHED WITH SUPPLIED UNITS. CONTRACTOR SHALL CONNECT POWER AND VERIFY PROPER OPERATIONS.



CONTRACTORS
PLANNERS
ARCHITECTS
ENGINEERS
CONSTRUCTION MANAGERS
1800 W. MARKET STREET
FELLSMERE, VA 23043
PH: (410)795-9986

date	project	designed	drawn	checked	mark	date	revision
02/04/2021	281803726.04	JDP	JDP	DBY			

RRMM
ARCHITECTS, PC
Robert S Berz, Jr, Architect
Duane M Harver, Architect



1317 Executive Blvd, Suite 200
Chesapeake, VA 23320
(757)822-2828 / fax (757)822-8883



FORMER WALKGREENS, FDS #797103
COCHELAN, GA

ELECTRICAL POWER PLAN

sheet
E-200