

B
E3.0
ELECTRIC RISER DIAGRAM
N.T.S.

ALL ITEMS ON RISER ARE TO REMAIN AND SHOWN FOR REFERENCE ONLY.

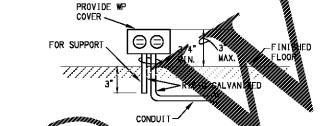
CONTRACTOR SHALL OBTAIN CURRENT RATES FROM POWER COMPANY AND VERIFY PLATE AT EXISTING MAIN DISCONNECTS. IF AIC RATING EXCEEDS THE 100,000AIC OF EXISTING MAIN DISCONNECT, THEN CONTRACTOR SHALL REPLACE EXISTING MAIN DISCONNECT IS CURRENT LIMITING.

CASE NOTES:

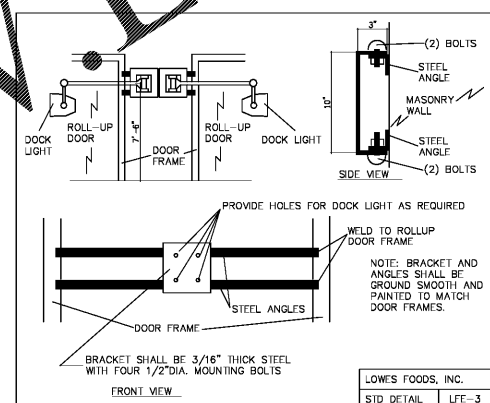
1. SEE DESIGN NOTE 'A' 1.3A. FOR LIGHTS ON (1) 8' SERVICE/SELF SERVICE MEAT/SEAFOOD CASE
SEE DESIGN NOTE 'B' 1.3A. FOR LIGHTS ON (1) 8' SERVICE/SELF SERVICE MEAT/SEAFOOD CASE
SEE DESIGN NOTE 'C' 1.7A. FOR ANTI-SWEAT HEATERS ON (1) 8' SERVICE/SELF SERVICE MEAT/SEAFOOD CASE
2. SEE DESIGN NOTE 'A' 1.91A. FOR LIGHTS ON (1) 5 DOOR GLASS DOOR FROZEN CAKE CASE
SEE DESIGN NOTE 'B' 1.90A. FOR FANS ON (1) 5 DOOR GLASS DOOR FROZEN CAKE CASE
SEE DESIGN NOTE 'C' 1.13A. FOR FANS ON (1) 5 DOOR GLASS DOOR FROZEN CAKE CASE
3. SEE DESIGN NOTE 'A' 1.00A. FOR LIGHTS ON (1) 8' MULTI-DECK PRODUCE CASE
SEE DESIGN NOTE 'B' 1.47A. FOR FANS ON (1) 8' MULTI-DECK PRODUCE CASE
4. SEE DESIGN NOTE 'A' 1.27A. FOR LIGHTS ON (1) 8' LOW PROFILE MULTI-DECK DELI ISLAND CASE
1.28A. FOR LIGHTS ON (1) 8' LOW PROFILE MULTI-DECK DELI ISLAND CASE
1.28A. FOR LIGHTS ON (1) 8' LOW PROFILE MULTI-DECK DELI ISLAND CASE
SEE DESIGN NOTE 'B' 1.24A. FOR FANS ON (1) 8' LOW PROFILE MULTI-DECK DELI ISLAND CASE
1.24A. FOR FANS ON (1) 8' LOW PROFILE MULTI-DECK DELI ISLAND CASE
1.24A. FOR FANS ON (1) 8' LOW PROFILE MULTI-DECK DELI ISLAND CASE
SEE DESIGN NOTE 'C' 1.0A. FOR CASE RECEPTACLES
5. SEE DESIGN NOTE 'A' 1.0A. FOR LIGHTS ON (1) 4' SELF SERVE HOT FOODS CASE
SEE DESIGN NOTE 'D' 1.2A. FOR FAN/HEATERS ON (1) 4' SELF SERVE HOT FOODS CASE (208V/1Ø PROVIDE NEUTRAL)
6. SEE DESIGN NOTE 'A' 1.0A. FOR LIGHTS ON (1) 4' SELF SERVE MULTI-DECK DELI CASE
SEE DESIGN NOTE 'B' 1.6A. FOR FANS ON (1) 4' SELF SERVE MULTI-DECK DELI CASE
7. SEE DESIGN NOTE 'A' 1.0A. FOR LIGHTS ON (1) 14' FRESH SALADS CASE
SEE DESIGN NOTE 'B' 1.5A. FOR FANS ON (1) 14' FRESH SALADS CASE
1.5A. FOR FANS ON (1) 14' FRESH SALADS CASE
1.5A. FOR FANS ON (1) 14' FRESH SALADS CASE
SEE DESIGN NOTE 'C' 2.0A. FOR SCALE MOUNTED ON (1) 14' FRESH SALADS CASE
8. SEE DESIGN NOTE 'A' 1.02A. FOR LIGHTS ON (1) 12' COLD BEER CASE
1.02A. FOR LIGHTS ON (1) 12' COLD BEER CASE
SEE DESIGN NOTE 'B' 1.8A. FOR FANS ON (1) 12' COLD BEER CASE
1.8A. FOR FANS ON (1) 12' COLD BEER CASE
SEE DESIGN NOTE 'C' 1.0A. FOR FANS ON (1) 12' COLD BEER CASE
1.0A. FOR FANS ON (1) 12' COLD BEER CASE
9. SEE DESIGN NOTE 'A' 1.02A. FOR LIGHTS ON (1) 12' COLD BEER CASE
1.35A. FOR LIGHTS ON (1) 8' COLD BEER CASE
SEE DESIGN NOTE 'B' 1.8A. FOR FANS ON (1) 12' COLD BEER CASE
1.8A. FOR FANS ON (1) 12' COLD BEER CASE
10. SEE DESIGN NOTE 'A' 1.08A. FOR LIGHTS ON (1) 3 DOOR FREEZER CASE
SEE DESIGN NOTE 'D' 2.24A. FOR FANS AND ANTI-SWEAT HEATERS ON (1) 3 DOOR FREEZER CASE
11. SEE DESIGN NOTE 'A' 1.61A. FOR LIGHTS ON (1) 5 DOOR COOLER CASE
SEE DESIGN NOTE 'D' 2.3A. FOR FANS AND ANTI-SWEAT HEATERS ON (1) 5 DOOR COOLER CASE

DESIGN NOTES:

- A. ALL CASE LIGHTS SHALL BE DESIGNED WITH ONE TIMING DEVICE CONTROLLING ALL CIRCUITS. PROVIDE GROUND PER NEC 422.
- B. ALL CASE FAN CIRCUITS SHALL ORIGINATE IN ONE EXCLUSIVE USE PANEL. THIS SHALL INCLUDE ALL FRESH ROOM COOLING COIL CIRCUITS, AND WALK-IN COOLER AND FREEZER COOLING COIL CIRCUITS. PROVIDE GROUND PER NEC 422.
- C. ALL CASE ANTI-SWEAT HEATER CIRCUITS SHALL ORIGINATE IN ONE EXCLUSIVE USE PANEL. PROVIDE GROUND PER NEC 422.
- D. ALL FROZEN FOOD CASE FAN AND ANTI-SWEAT HEATER CIRCUITS SHALL ORIGINATE IN EITHER THE HEATER (H) OR FAN (F & RA) PANELS. PROVIDE GROUND PER NEC 422.
- E. CIRCUIT SHALL BE FED FROM PANEL AS SHOWN ON PLANS.



B
E3.0
RECEPTACLE DETAIL
SCALE: N.T.S.



LOWES FOODS, INC.
STD DETAIL LFE-3

EQUIPMENT CONNECTION SCHEDULE

SYMBOL OR CIRCUIT	DESCRIPTION	HP	KW	AMP	VOLT	PHASE	BRK	FEEDER		CONNECTION	REMARKS
								COND	WIRE		
	AIR COMPRESSOR	-	-	12	208	3	20	1/2"	3/12, 1/12G	FUSED DISC NEMA 1	VERIFY REQUIREMENTS WITH SUPPLIER.
	DISH MACHINE	-	-	31	208	1	40	1/2"	3/8, 1/10G	FUSED DISC NEMA 1	VERIFY NEUTRAL.
	MIXER	-	-	6	208	3	15	1/2"	3/12, 1/12G	15A REPT	PROVIDE CORD & PLUG.

EQUIPMENT CONNECTION NOTES:
1. CONTRACTOR SHALL VERIFY ALL CONNECTIONS BEFORE RUNNING SERVICE OR ORDERING EQUIPMENT.

WIRE NOTES:

1. 15A AND 20A SERVICE
DISTANCE TO 1st CONN. WIRE SIZE

< 60	#12
60 TO 90 FT.	#10
90 TO 140 FT.	#8
140 TO 220 FT.	#6
> 220 FT.	#4

 NEUTRAL SHALL BE ONE SIZE LARGER THAN CORRESPONDING PHASE WIRE.
2. 25A & 30A SERVICE
DISTANCE TO 1st CONN. WIRE SIZE

< 100 FT.	#10
OVER 100 FT.	#8
3. MINIMUM CONDUIT SIZE SHALL BE 3/4" EXCEPT AS INDICATED IN THE SPECIFICATIONS.

ELECTRICAL ABBREVIATIONS

AFF	ABOVE FINISHED FLOOR
GFI	GROUND FAULT INTERRUPTING
3R	WEATHERPROOF ENCLOSURE
UNO	UNLESS NOTED OTHERWISE
RSS	RIGID GALVANIZED STEEL
WP	WEATHERPROOF
AHU	AIR HANDLING UNIT
HP	HEAT PUMP
RTU	ROOF TOP UNIT
IG	ISOLATED GROUND
LC	LIGHTING CONTROLLER
EMS	ENERGY MANAGEMENT SYSTEM

ELECTRICAL LEGEND

SYMBOL	DESCRIPTION
○	CEILING OUTLET WITH FLUORESCENT FIXTURE
○	WALL OUTLET WITH INCANDESCENT, FLUORESCENT OR HID FIXTURE
○	CEILING OUTLET WITH INCANDESCENT, FLUORESCENT OR HID FIXTURE
S	SWITCH, SINGLE POLE, 120VAC, MOUNTED AT 48" AFF TO CENTER OF OUTLET BOX, IN NON-PUBLIC AREAS WHERE WAINGSKOTE PREVENTS MOUNTING AT 48" AFF SET SWITCH ABOVE WAINGSKOTE AS CLOSE TO 48" AFF AS POSSIBLE
⊕	DUAL TECHNOLOGY OCCUPANCY SENSOR, 120V, CEILING MOUNTED, PROVIDE RECESSED 3/4" OCTAGON OR SINGLE GANG HANGY JUNCTION BOX, SENSOR SHALL BE A SENSORSWITCH MODEL CMR POT 0 LT, WHITE
⊕	DUAL TECHNOLOGY OCCUPANCY SENSOR, 120V, CEILING MOUNTED, PROVIDE RECESSED 3/4" OCTAGON OR SINGLE GANG HANGY JUNCTION BOX, SENSOR SHALL BE A SENSORSWITCH MODEL CMR POT 10 LT, WHITE
⊕	DUAL TECHNOLOGY OCCUPANCY SENSOR, 120V, WALL MOUNTED AT 48" AFF TO CENTER OF OUTLET BOX, PROVIDE RECESSED STANDARD SINGLE GANG SWITCH BOX, SENSOR SHALL BE A SENSORSWITCH MODEL WSD POT 10 WITH MATCHING WALL PLATE, WHITE, IN NON-PUBLIC AREAS WHERE WAINGSKOTE PREVENTS MOUNTING AT 48" AFF SET SWITCH ABOVE WAINGSKOTE AS CLOSE TO 48" AFF AS POSSIBLE
⊕	MANUAL MOTOR STARTER
⊕	DUPLEX CONVENIENCE RECEPTACLE, 120VAC, MOUNTED AT 16" AFF UNO
⊕	DUPLEX CONVENIENCE RECEPTACLE, 120VAC, MOUNTED PER DETAIL LFE-4
⊕	DUPLEX CONVENIENCE RECEPTACLE, 120VAC, MOUNTED PER DETAIL B/E3.0
⊕	QUAD CONVENIENCE RECEPTACLE, 120VAC, MOUNTED AT 16" AFF UNO
⊕	QUAD CONVENIENCE RECEPTACLE, 120VAC, MOUNTED FLUSH IN FLOOR
⊕	QUAD CONVENIENCE RECEPTACLE, 250V, VERIFY TYPE WITH EQUIPMENT SUPPLIER
⊕	TELEPHONE OUTLET, MOUNTED AT 16" AFF UNO
⊕	DATA OUTLET MOUNTED AT 16" AFF UNO
⊕	JUNCTION BOX
⊕	ELECTRICAL PANEL, SURFACE
⊕	ELECTRICAL PANEL, FLUSH
⊕	DISCONNECT SWITCH, FUSIBLE
⊕	FAN BY MECHANICAL CONTRACTOR
⊕	TELEPHONE PANEL, 4x8x1/2" PLYWOOD WITH #6 INSL. GROUND IN 1/2" CONDUIT TO FLEED. SYSTEM GROUND
⊕	TRANSFORMER
⊕	FROM LIGHTING CONTROLLER GROUP ##

Order Plans @

bai - ARCHITECTS
778 Thirdly Road - Raleigh, North Carolina 27607 - p919.889.7121 - bai-architects.com
THE USE OF THESE PLANS AND SPECIFICATIONS SHALL BE RESTRICTED TO THE ORIGINAL SITE FOR WHICH THEY WERE PREPARED AND PUBLICATION OF THESE PLANS AND SPECIFICATIONS IN ANY MANNER WITHOUT THE WRITTEN CONSENT OF THE ARCHITECT. VISUAL CONTACT WITH THESE PLANS AND SPECIFICATIONS SHALL CONSTITUTE FRAUD EXCEPT OF THE ACCEPTANCE OF THESE INSTRUMENTS.

NO. COMMENTS/REVISIONS

NO.	DATE	COMMENT/REVISIONS

INTERIOR RENOVATION FOR
STORE # 182 AT
WALKERTOWN COMMONS
SHOPPING CENTER
5180 Piedmonte Road
Waltertown, North Carolina 27051

