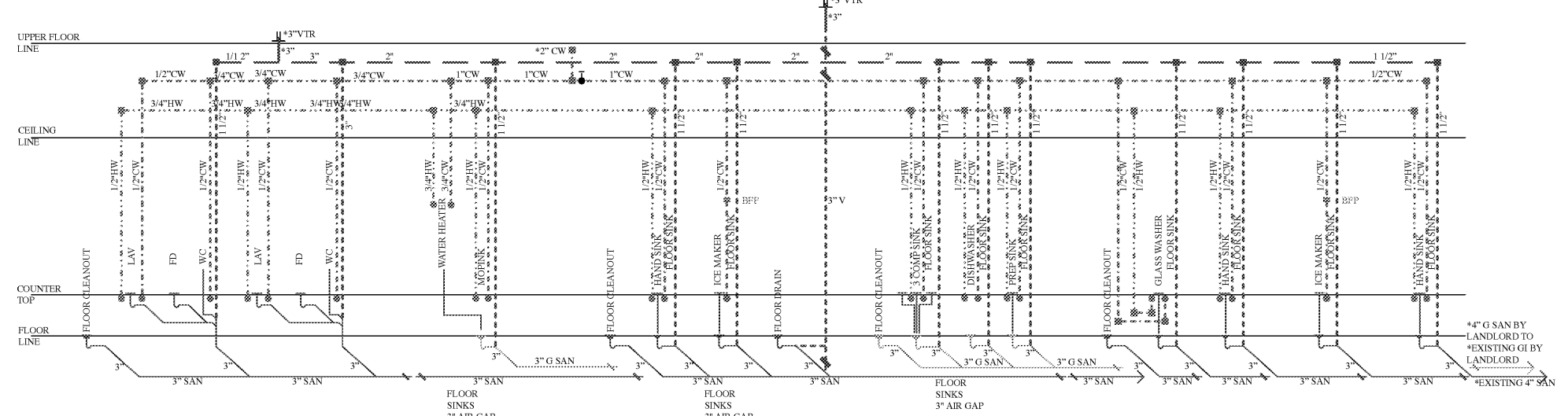


**PRELIMINARY
NOT FOR FINAL
CONSTRUCTION**



DOMESTIC WATER AND SEWER RISER DIAGRAM SCHEMATIC
IPC 608.1 General. A potable water supply system shall be designed, installed and maintained in such a manner so as to prevent contamination from non-potable liquids, solids or gases being introduced into the potable water supply through cross-connections or any other piping connections to the system. Backflow preventer applications shall conform to Table 608.1, except as specifically stated in Sections 608.2 through 608.16.9.

PEX (CROSSLINKED POLYETHYLENE) PIPING OR TUBING IS APPROVED FOR WATER LINES

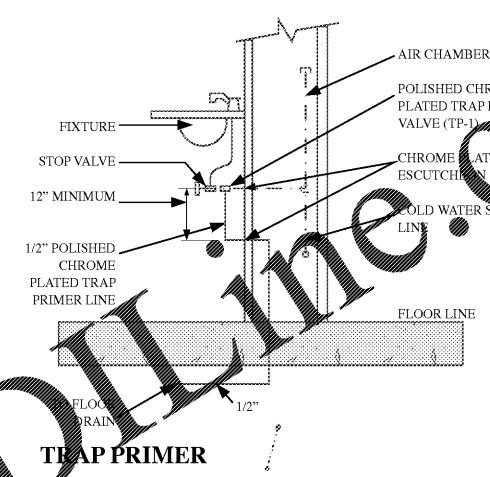
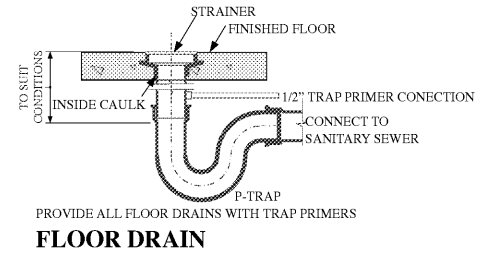
PROVIDE SHOCK ARRESTOR PER IPC

PROVIDE 110°/140° MIXING VALVE AT EACH HAND SINK AND LAV
HONEYWELL AM161C1676 OR EQUAL TO MEET REQUIREMENTS OF ASSE 1070
PROVIDE 105° AT LAVS ONLY

BACKFLOW PREVENTER AT ICE MAKER
WATTS RP1FL919QT

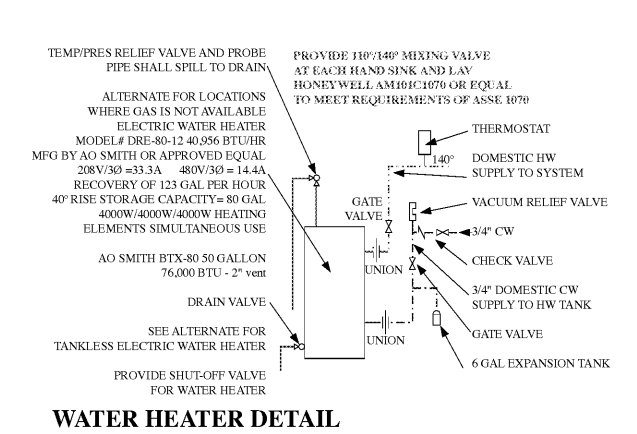
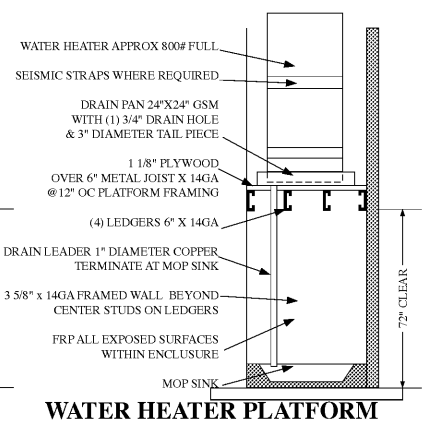
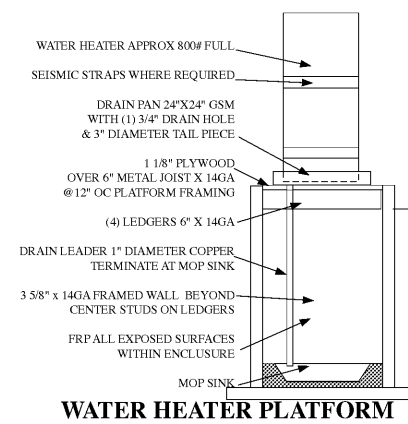
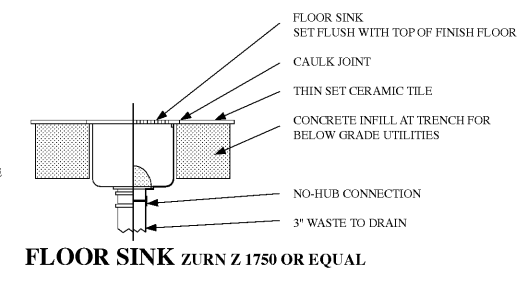
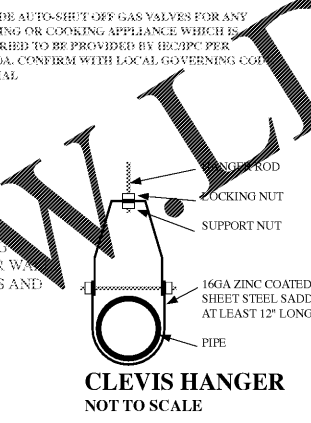
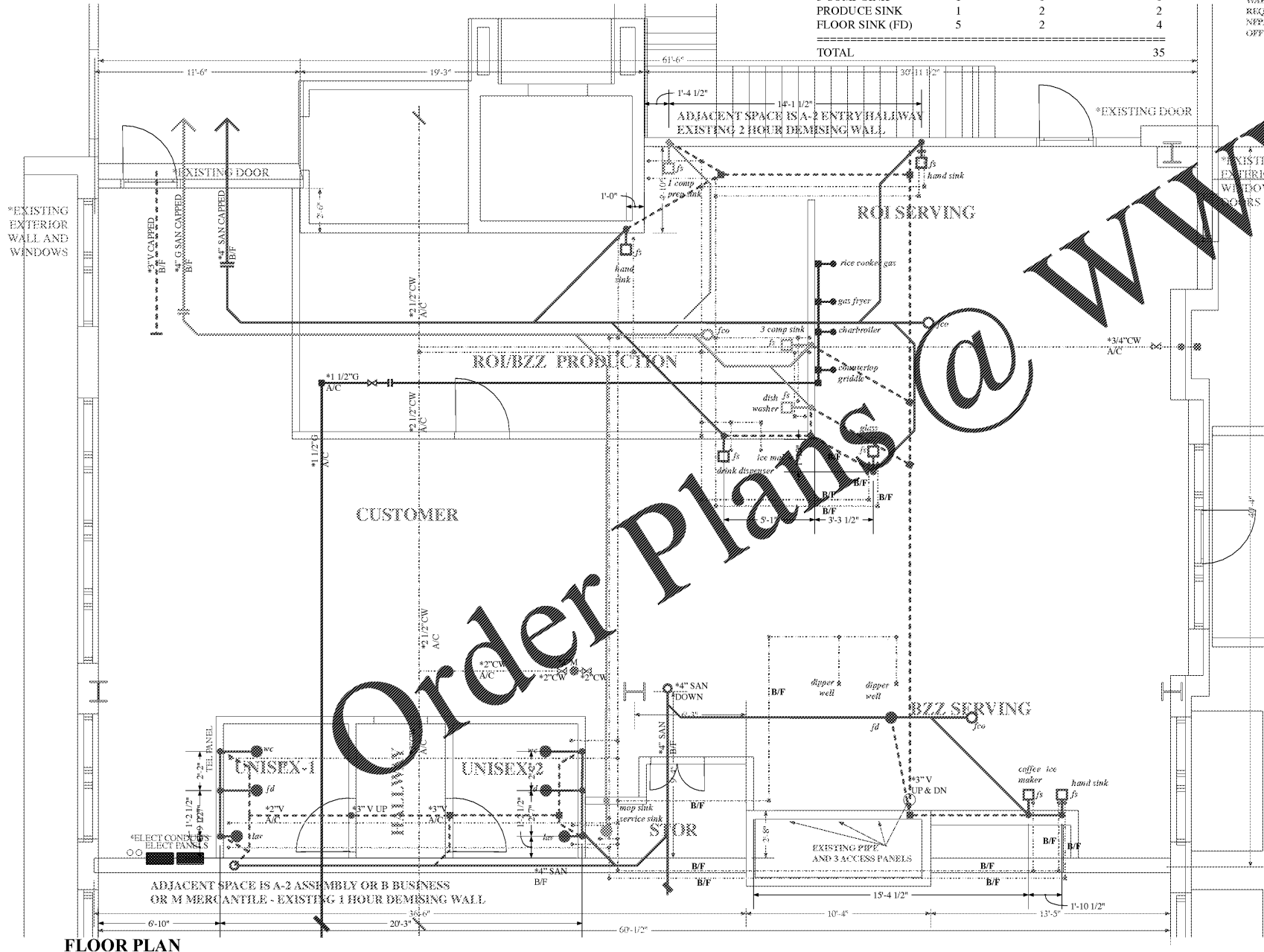
PLUMBING FIXTURE UNIT CALCULATIONS

| FIXTURE | QUANTITY | DFU | TOTAL FU |
|-----------------|----------|-----|-----------|
| WC | 2 | 5 | 10 |
| LAVATORY | 2 | 2 | 4 |
| URINAL | 0 | 2 | 0 |
| HAND SINK | 3 | 2 | 6 |
| HOSE BIBB | 0 | 1 | 0 |
| MOP SINK | 1 | 3 | 3 |
| DRINK FTN | 0 | 0.5 | 0 |
| 3 COMP SINK | 1 | 6 | 6 |
| PRODUCE SINK | 1 | 2 | 2 |
| FLOOR SINK (FD) | 5 | 2 | 4 |
| TOTAL | | | 35 |



- PLUMBING NOTES**
- 1) ALL WORK SHALL CONFORM TO BUILDING STANDARDS, LOCAL CODES AND CONTRACT DOCUMENTS
 - 2) CONTRACTOR IS REQUIRED TO MAKE AN ON SITE INSPECTION AND INCLUDE IN HIS BID AN ALLOWANCE FOR FIELD CONDITIONS
 - 3) CONTRACTOR MUST GUARANTEE HIS WORK FOR A PERIOD OF ONE YEAR FROM THE DATE OF COMPLETION OF HIS WORK
 - 4) CONTRACTOR MUST BE A LICENSED PLUMBER AND DO ALL LOCAL FILING OF PLANS WITH THE LOCAL AUTHORITIES AND PAY ALL FILING FEES AS REQUIRED BY LAW
 - 5) ALL COMPONENTS SHALL BE UL APPROVED, SPECIFICATION GRADE. ALL COMPONENTS SHALL BE NEW EXCEPT WHERE OTHERWISE INDICATED
 - 6) SANITARY AND VENT PIPING SHALL BE PVC SCHEDULE 40 OR SERVICE WEIGHT CAST IRON WITH SERVICE WEIGHT FITTINGS
 - 7) COLD AND HOT WATER PIPING SHALL BE CPVC OR TYPE 'L' SEAMLESS AND HARD DRAWN COPPER TUBING AND IN CONFORMANCE WITH ASTM B88-48. CONNECTIONS TO DISSIMILAR METALS SHALL BE MADE WITH DIELECTRIC UNIONS
 - 8) ALL WATER PIPING SHALL BE INSULATED WITH A MINIMUM OF ONE HALF INCH (1/2") GLASS FIBER WITH NON COMBUSTIBLE UL RATED VAPOR BARRIER JACKET AND INSULATION SHALL CONFORM AND OR EXCEED ALL FIRE AND SMOKE RATINGS PER ASTM E84, NFPA 285 AND UL 723
 - 9) THE DRAWINGS SHOW THE VARIOUS PIPING SYSTEMS SCHEMATICALLY. NO ADDED COMPENSATION WILL BE PERMITTED FOR VARIATIONS DUE TO FIELD CONDITIONS

- FOOD SERVICE PLUMBING ROUGH-IN NOTES**
- 1) ALL PLUMBING OUTLETS AND REQUIREMENTS SHOWN ON THE PLAN ARE FOR FIXTURES AND EQUIPMENT SPECIFIED AS FURNISHED BY THE KITCHEN EQUIPMENT CONTRACTOR OR TENANT UNLESS OTHERWISE NOTED, INCLUDING ANY ADDITIONAL BUILDING PLUMBING REQUIREMENTS. SEE OTHER MECHANICAL PLANS. ALL DIMENSIONS ARE GIVEN FROM COLUMN CENTERLINE UNLESS OTHERWISE NOTED.
 - 2) PLUMBER TO CONNECT ALL WATER LINES, GAS LINES, WASTE LINES, ETC. CONNECT INDIRECT WASTES FROM EQUIPMENT (DRAINBOARDS, QUICK DRAINS, ICE BINS, DIPPER WELLS, ETC) TO THE NEAREST AND MOST ACCESSIBLE FLOOR DRAIN. DO NOT RUN WASTES SO AS TO INTERFERE WITH OPERATION OF BUSINESS OR FUNCTION OF EQUIPMENT. SECURE TO EQUIPMENT, WALLS OR FLOOR AS REQUIRED BY CODE. ALL ROUGH-INS SHOWN ARE TO BE RUN INSIDE WALLS, (EXCEPT STUB-UPS). LOCATIONS INDICATE POINT OF EXIT FROM WALLS, CEILING OR FLOOR
 - 3) PLUMBER TO BRANCH TO CONNECTION WHERE REQUIRED AND TO FULLY CONNECT ALL EQUIPMENT AND RUN CONDENSATE LINES FROM UNITS TO DRAINS AND THESE LINES TO BE NO SMALLER THAN THE STUB-OUT OF THE FIXTURE. FOR SPECIFIC TYPE OF CONNECTION AND LOCATIONS, REFER TO THE EQUIPMENT BROCHURES AND DRAWINGS
 - 4) PLUMBER TO PROVIDE SHUT-OFF VALVES ON ALL WATER AND GAS LINES, ALL VALVES, CUT-OFFS, TRAPS, HYDROSTATIC SHOCK ELIMINATORS, PRESSURE REGULATORS AND MATERIALS NECESSARY TO CONNECT ALL LINES, UNLESS OTHERWISE SPECIFIED ON THE ITEM SPECIFICATIONS
 - 5) ALL FLOOR DRAINS ARE TO BE SET 1/2" BELOW FINISHED FLOOR UNLESS OTHERWISE NOTED. DO NOT SLOPE FLOORS SO CLOSE TO DRAINS AS TO CREATE FITS OR DIPS IN THE FLOOR. SLOPE TO BE 24" FROM CENTERLINE OF DRAIN
 - 6) PLUMBING CONTRACTOR IS REQUIRED TO FURNISH AND INSTALL ALL PLUMBING COMPONENTS NECESSARY TO PROVIDE SERVICE TO LOCATIONS AND EQUIPMENT AS SHOWN ON THE DRAWINGS, UNLESS OTHERWISE NOTED. PLUMBING CONTRACTOR IS ALSO RESPONSIBLE FOR MAKING FINAL CONNECTIONS TO EQUIPMENT AND FITTINGS SUPPLIED AND INSTALLED BY KITCHEN EQUIPMENT CONTRACTOR
 - 7) IF ELECTRICAL SYSTEMS CONDITIONS EXIST, A DIELECTRIC COUPLING SHOULD BE USED IN FINAL PLUMBING TO ALL WATER COOLED EQUIPMENT
 - 8) IF HIGH MINERAL CONTENT IN THE WATER SUPPLY EXISTS, IT IS RECOMMENDED THAT A WATER SOFTENER FILTER AND/OR DEIONIZER SEPARATOR BE USED IN THE FINAL PLUMBING CONNECTIONS TO CONDENSING UNITS, STEAMERS, COFFEE MAKERS, WATER HEATERS AND SIMILAR ITEMS OF KITCHEN EQUIPMENT
 - 9) THE EQUIPMENT CONTRACTOR IS TO PROVIDE ALL FACETS, DRAIN OUTLETS AND FITTINGS IN FIXTURES AND SPECIALTY ITEMS AS OUTLINED IN THE ITEM AND GENERAL PRODUCT SPECIFICATIONS
 - 10) OMISSIONS OR ERRORS IN SCHEDULE DO NOT RELIEVE PLUMBING CONTRACTOR FROM COMPLETE AND CORRECT FINAL CONNECTION RESPONSIBILITY. HIS REVIEW OF EQUIPMENT BROCHURE BOOK AND DRAWINGS WILL ASSURE CORRECTNESS OF HIS WORK
 - 11) FAILURE TO COMPLY WITH THESE NOTES COULD VOID OR CANCEL MANUFACTURERS WARRANTIES. DO NOT FAIL TO COMPLY WITH THESE NOTES IN THE AREAS THAT THEY APPLY. IF THERE IS DOUBT AS TO THE PROPER INTERPRETATION OR ACTION THAT IS INTENDED, CONTRACT THE OWNERS REPRESENTATIVE IMMEDIATELY. VERIFY WITH THE OWNERS REPRESENTATIVE FINAL EQUIPMENT REQUIREMENTS BEFORE ORDERING MATERIAL REVISIONS IN EQUIPMENT OR PERFORMANCE REQUIREMENTS MAY AFFECT THE PLUMBERS WORK
 - 12) ALL WORK RELATING TO THE INSTALLATION AND HOOKUP OF THE SPECIFIED EQUIPMENT IS TO BE PERFORMED IN FULL ACCORDANCE WITH THE APPLICABLE JURISDICTION REQUIREMENTS AND STATE AND FEDERAL CODES AND OTHER GOVERNMENTAL REGULATORY REQUIREMENTS



KITCHEN PLUMBING EQUIPMENT CUT SHEETS (OR EXISTING OR EQUAL)

FLOOR SINK: ZURN Z 1750 OR EQUAL
*MOP SINK: SEE EQUIPMENT SCHEDULE AE-0400
HAND SINK: HAND SINK WITH SPLASH GUARD - EAGLE GROUP HSA-10-F WITH SPLASH & K-59 FAUCET
DECK MID GOOSENECK FAUCET & BASKET DRAIN, WITH SPLASH GUARD

TOILET FIXTURES (OR EQUAL)

*LAVATORY: AMERICAN STANDARD #0356.015 WITH #6502.140V/P002 FAUCET & 1/2 GPM FLOW CONTROL, GRID DRAIN AND MCGUIRE #8089 P-TRAP
*WATER CLOSET: AMERICAN STANDARD #2305.100 ADA & 1.6 GAL WHITE CADET ELONGATED WATER SAVER TOILET TANK: SLOAN FLUSHMATE SEAT: OLSONITE #95 (LESS COVER)
STOP: MCGUIRE #169 WHEEL HANDLE STOP & FLEXIBLE RISER AND ESCUTCHEON
FLOOR DRAINS: JOHNSON #0002-SA, PROVIDE P-TRAP, ALL FLOOR DRAINS SHALL HAVE TRAP SEAL THAT ARE SUBJECT TO LOSS BY EVAPORATION SHALL HAVE TRAP SEAL PRIMER VALVES INSTALLED, AS REQUIRED PER SECTION 1002.4 OF THE PLUMBING CODE. (A DEEP SEAL TRAP CAN NOT BE USED TO TAKE THE PLACE OF A TRAP SEAL PRIMER VALVE.)

PLUMBING LEGEND

- DOMESTIC COLD WATER
- DOMESTIC HOT WATER
- SANITARY PIPING
- VENT PIPING
- GAS
- ⊕ CONTROL VALVE
- ⊖ CHECK VALVE
- ⊞ FLOOR SINK
- ⊙ CLEANOUT
- ⊛ SPRINKLER HEAD - AE-0310
- *INDICATES EXISTING

ABBREVIATIONS
A/C = ABOVE CEILING
B/F = BELOW FLOOR

SCALE 1/4" = 1'-0"
PLAN TRUE

PLUMBING FLOOR PLAN / RISER DIAGRAMS - AE-0200

Order Plans @

WWW.LDLINE.com