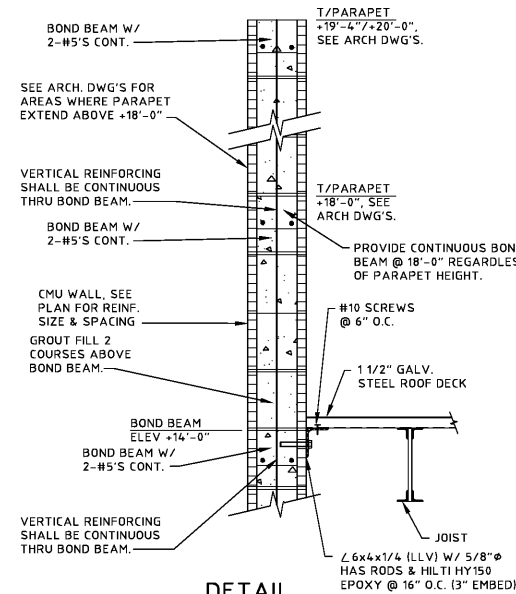


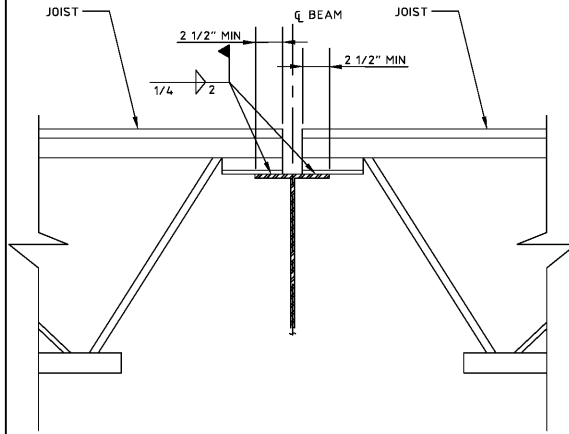
SECTION
NOT TO SCALE

1
S4.0



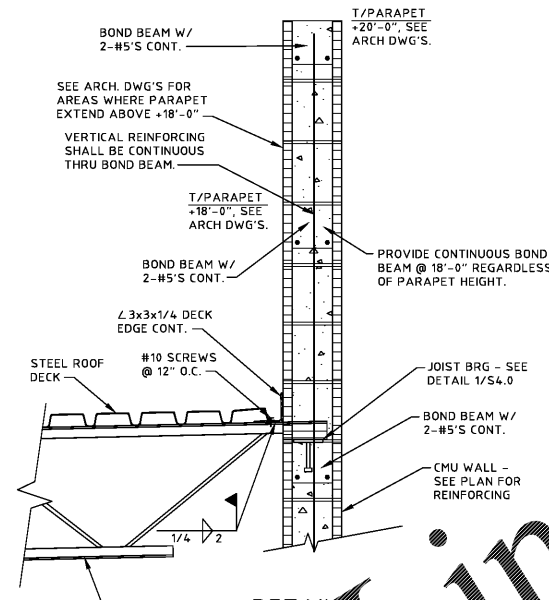
DETAIL
NO SCALE

2
S4.0



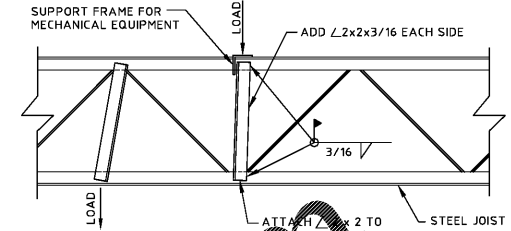
SECTION
NOT TO SCALE

3
S4.0



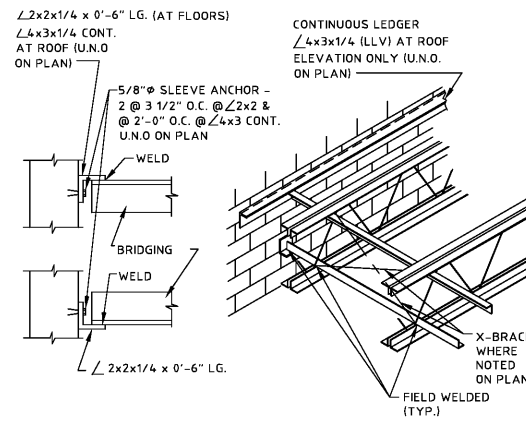
DETAIL
NO SCALE

4
S4.0



DETAIL
NOT TO SCALE

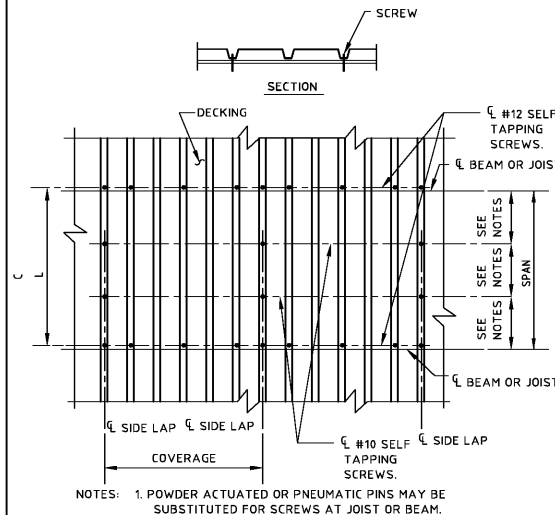
5
S4.0



K OR LH SERIES

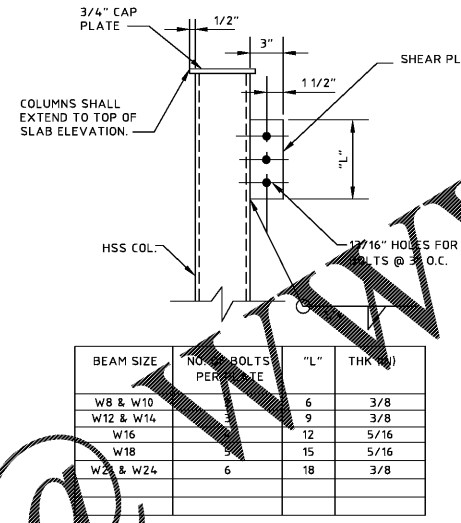
DETAIL
NOT TO SCALE

6
S4.0



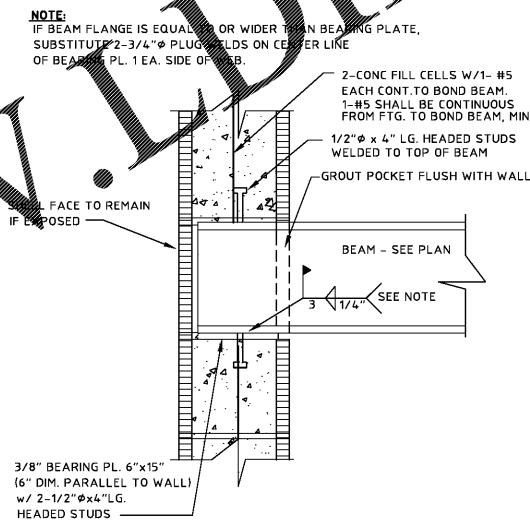
DETAIL
NOT TO SCALE

7
S4.0



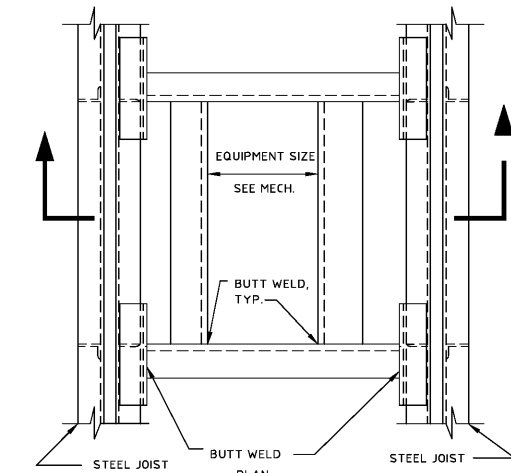
DETAIL
NOT TO SCALE

8
S4.0



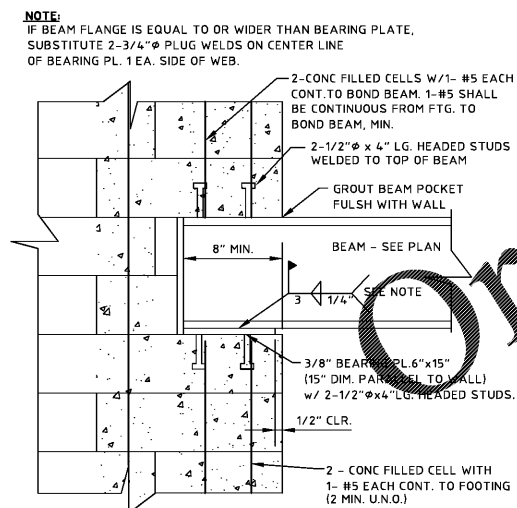
DETAIL
NOT TO SCALE

9
S4.0



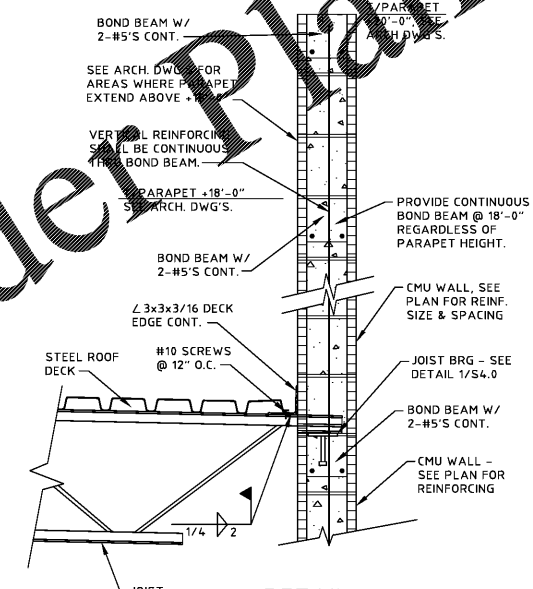
DETAIL
NOT TO SCALE

10
S4.0



DETAIL
NOT TO SCALE

11
S4.0



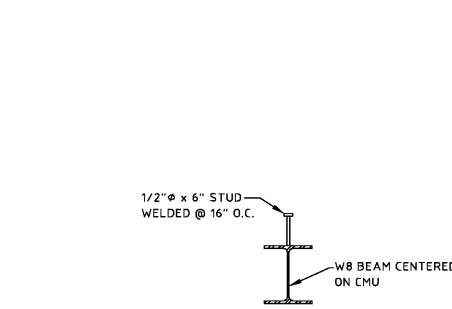
DETAIL
NO SCALE

12
S4.0



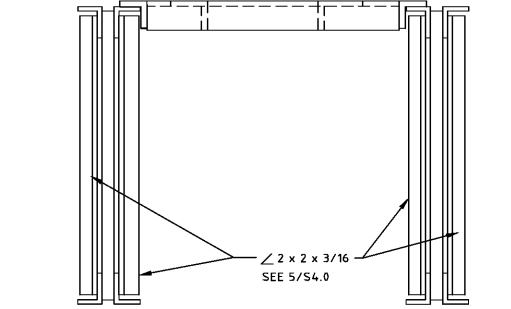
DETAIL
NOT TO SCALE

13
S4.0



DETAIL
NOT TO SCALE

14
S4.0



SECTION

NOTES:
1. USE AT ALL OPENINGS GREATER THAN 12" SQUARE OR 12" IN DIAMETER AND UNDER ALL MECHANICAL EQUIPMENT.
2. SEE ARCHITECTURAL AND MECHANICAL DRAWINGS FOR LOCATION AND NUMBER OF OPENINGS REQUIRED. COORDINATE OPENING SIZES WITH EQUIPMENT SHOP DRAWINGS.
3. ALL ANGLES SHALL BE 3 x 3 x 3/8 UNLESS NOTED OTHERWISE.

15
S4.0

SLATER ENGINEERING
803 WELLESLEY DR.
AUGUSTA, GA 30909
706-364-9547

ARCHITECTS
Christopher Booker & Associates, PC
670 BROAD STREET, AUGUSTA, GA 30901 | P: (706) 798-6792 | WWW.CBARCHITECTSPC.COM

PROPOSED BUILDING SHELL & DUNKIN' OMNI PC# 362912
APS INVESTMENT, INC.
5303 WRIGHTSBORO ROAD
GROVETOWN, GEORGIA 30813

STRUCTURAL DETAILS - SHEET 2

DRWN BY: BWS
CHKD BY:
DATE: JANUARY 22, 2021
REVISIONS:

JOB NO. 2052-A
SHEET NO. **S4.0**