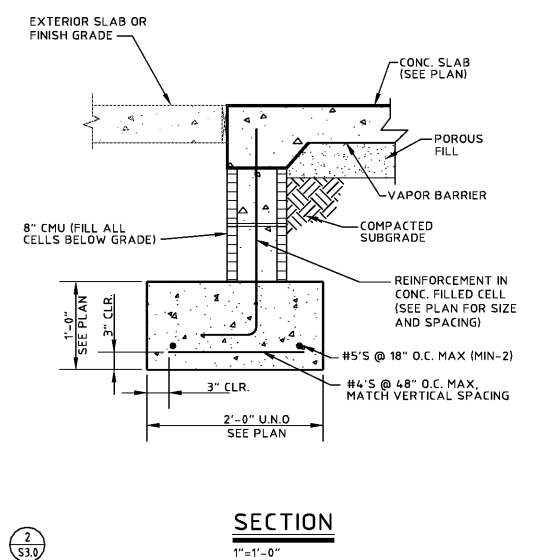


SECTION

1"=1'-0"

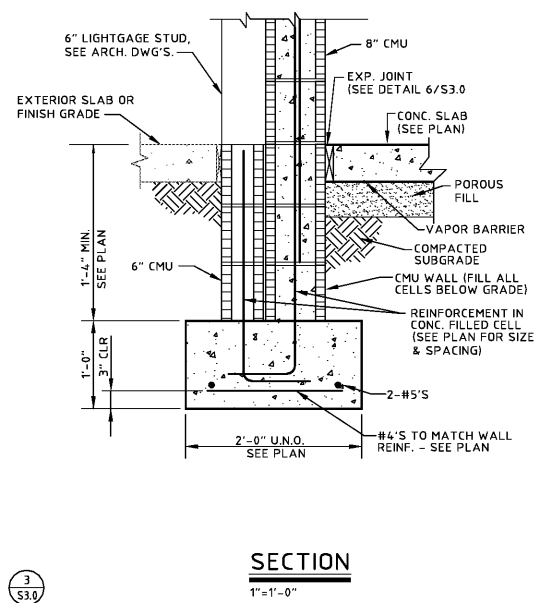
1
S3.0



SECTION

1"=1'-0"

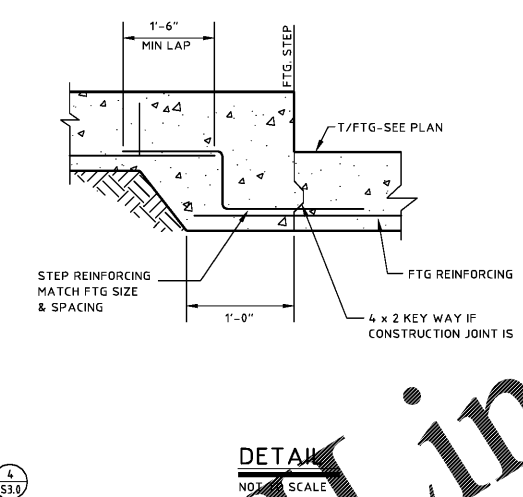
2
S3.0



SECTION

1"=1'-0"

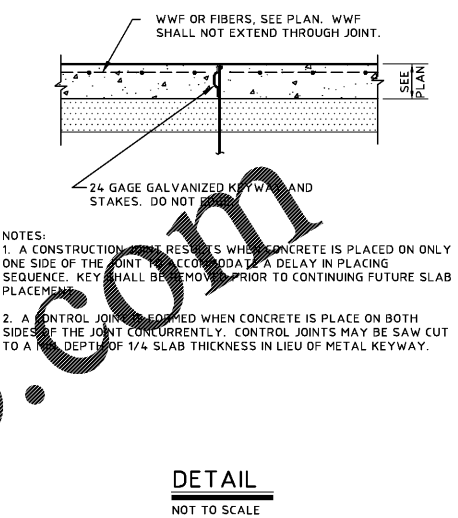
3
S3.0



DETAIL

NOT TO SCALE

4
S3.0

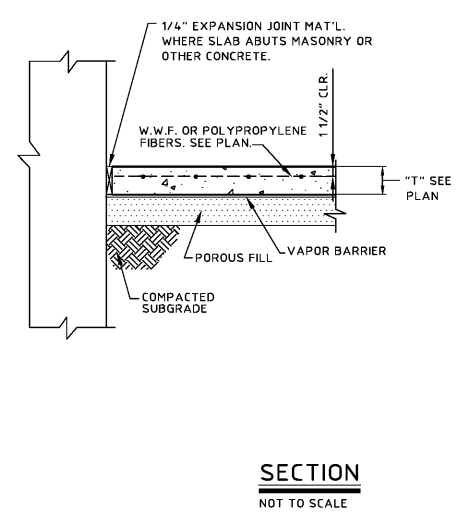


DETAIL

NOT TO SCALE

5
S3.0

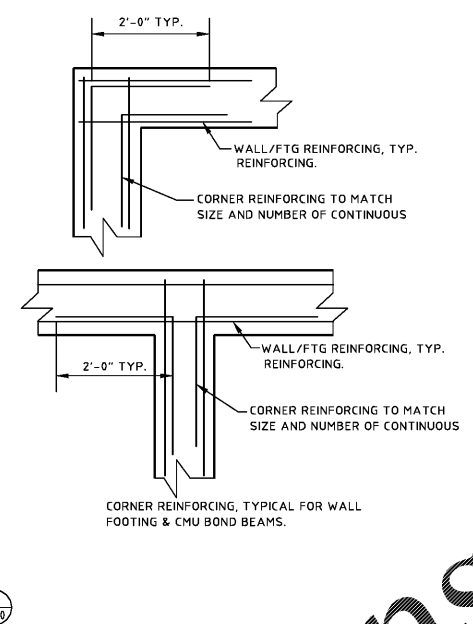
NOTES:
1. A CONSTRUCTION JOINT SHALL BE USED WHEN CONCRETE IS PLACED ON ONLY ONE SIDE OF THE JOINT TO ACCOMMODATE A DELAY IN PLACING SEQUENCE. KEY SHALL BE REMOVED PRIOR TO CONTINUING FUTURE SLAB PLACEMENT.
2. A CONTROL JOINT IS REQUIRED WHEN CONCRETE IS PLACED ON BOTH SIDES OF THE JOINT CONCURRENTLY. CONTROL JOINTS MAY BE SAW CUT TO A MINIMUM DEPTH OF 1/4 SLAB THICKNESS IN LIEU OF METAL KEYWAY.



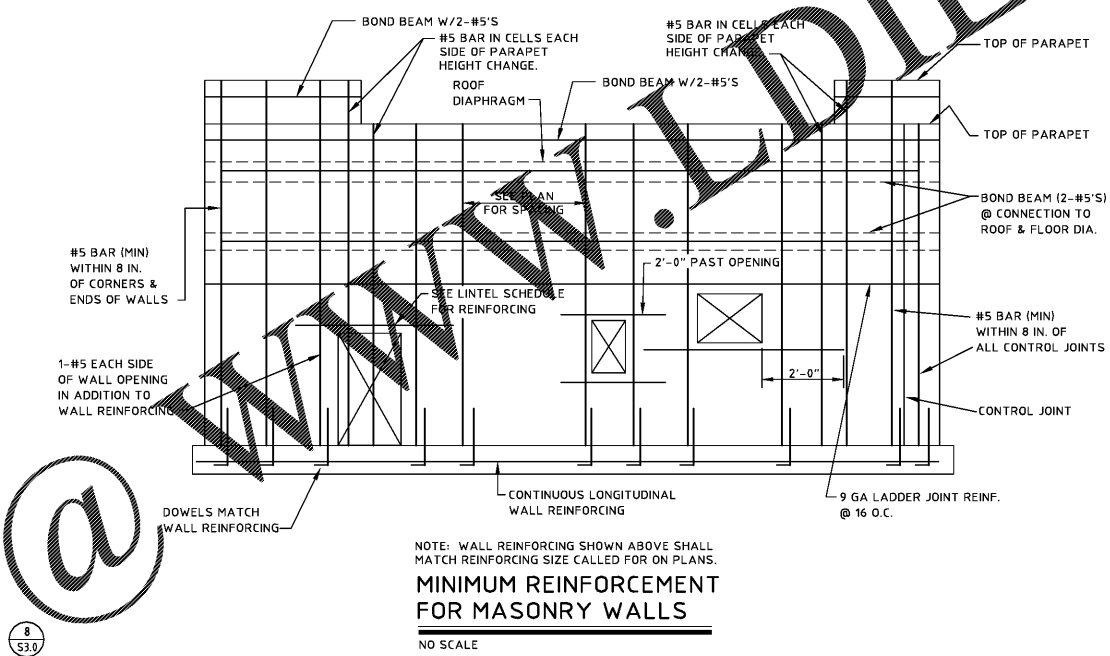
SECTION

NOT TO SCALE

6
S3.0



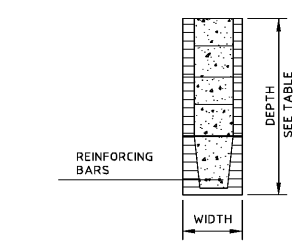
7
S3.0



MINIMUM REINFORCEMENT FOR MASONRY WALLS

NO SCALE

8
S3.0



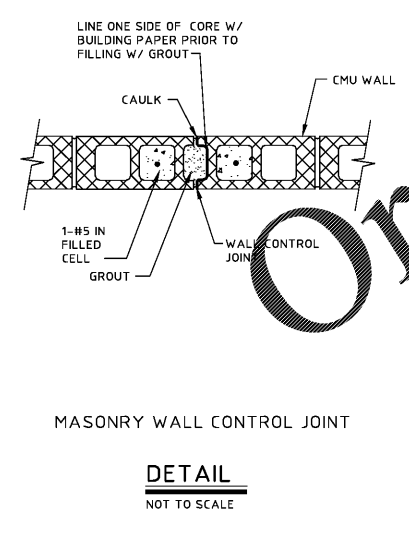
LINTEL/BOND BEAM REINFORCING SCHEDULE		
LENGTH OF OPENING	REINFORCING	DEPTH
0'-0" - 8'-0"	2-#5's CONT.	8"
8'-0" - 10'-0"	2-#5's CONT.	16"
10'-0" - 17'-0"	2-#5's CONT.	24"

NOTE: EXTEND REINFORCING 2'-0" BEYOND OPENING

DETAIL

NOT TO SCALE

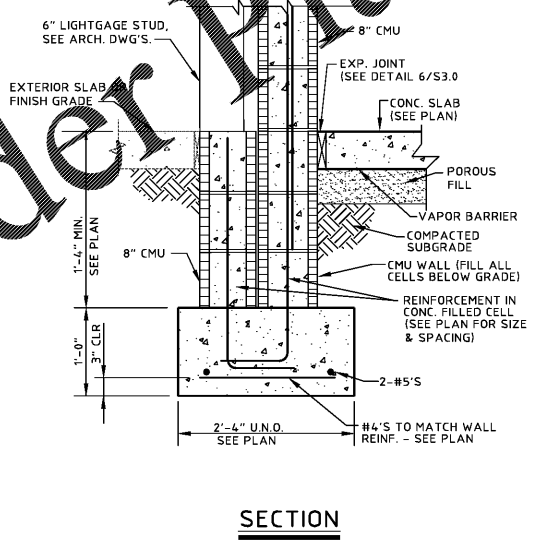
10
S3.0



DETAIL

NOT TO SCALE

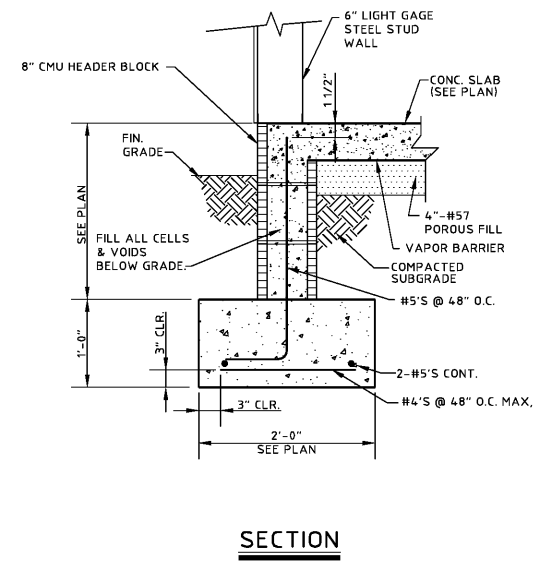
11
S3.0



SECTION

1"=1'-0"

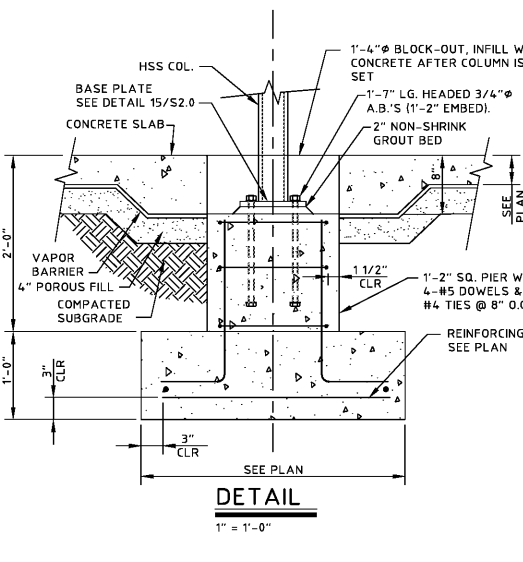
12
S3.0



SECTION

1"=1'-0"

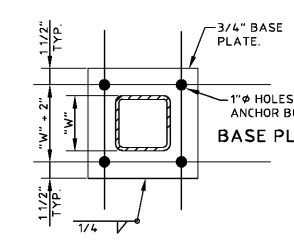
13
S3.0



DETAIL

1"=1'-0"

14
S3.0



DETAIL

NOT TO SCALE

15
S3.0



SLATER ENGINEERING
803 WELLESLEY DR.
AUGUSTA, GA 30909
706-364-9547

Order Plans @ WWW.ArchLine.com