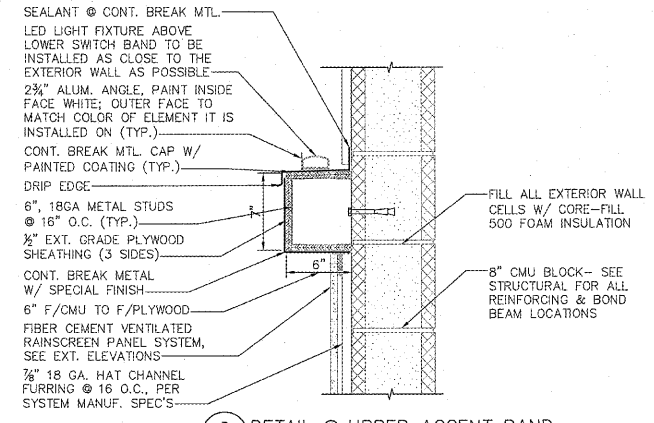
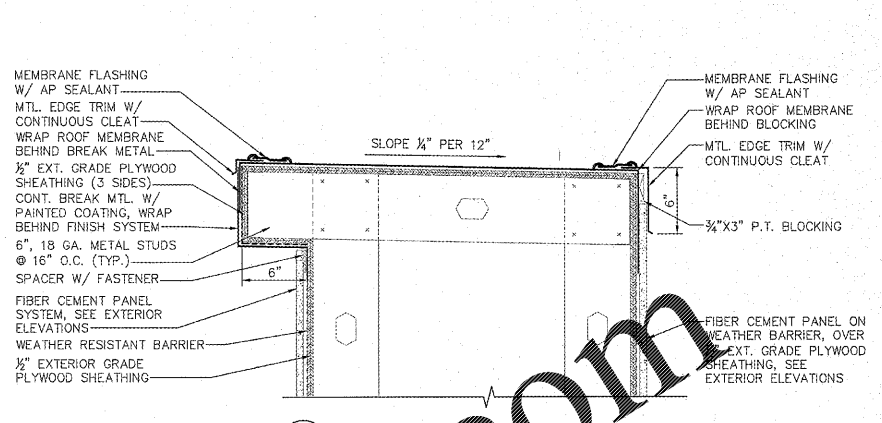


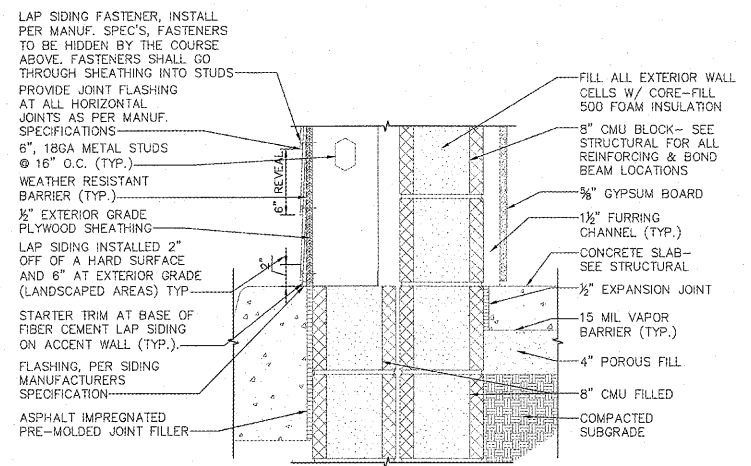
1 DETAIL @ ACCENT WALL CAP
 A4.4 SCALE: 1 1/2" = 1'-0"



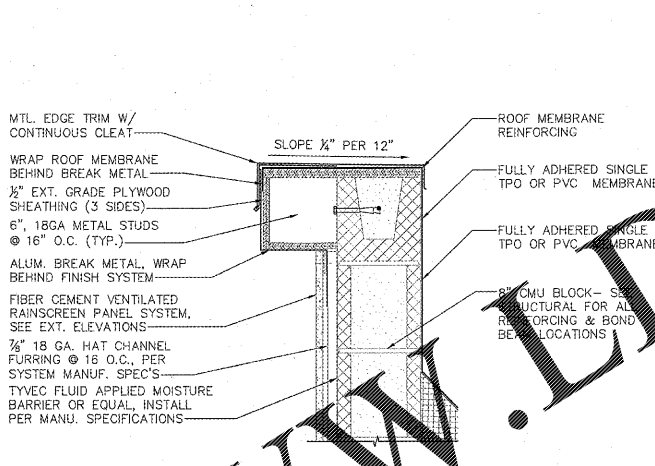
3 DETAIL @ UPPER ACCENT BAND
 A4.4 SCALE: 1 1/2" = 1'-0"



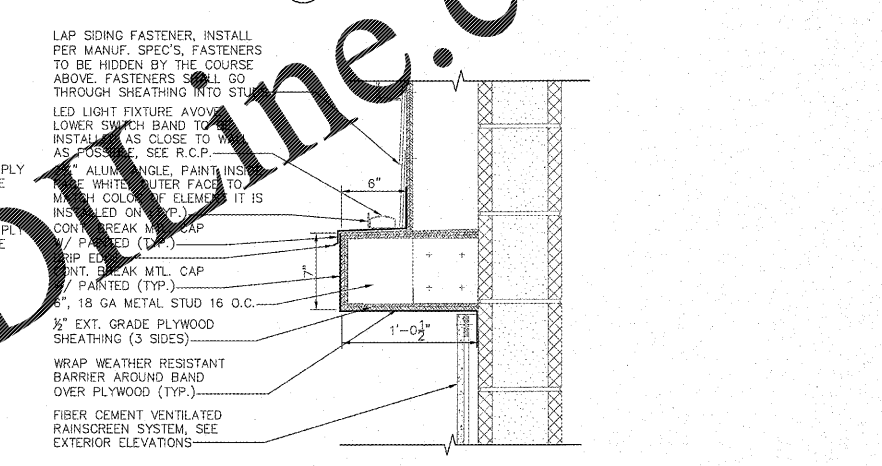
5 DETAIL @ FRONT MONOLITH PARAPET
 A4.4 SCALE: 1 1/2" = 1'-0"



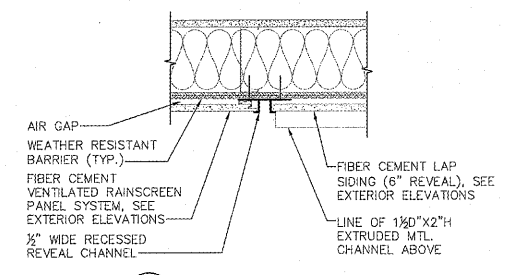
2 DETAIL @ ACCENT WALL BASE
 A4.4 SCALE: 1 1/2" = 1'-0"



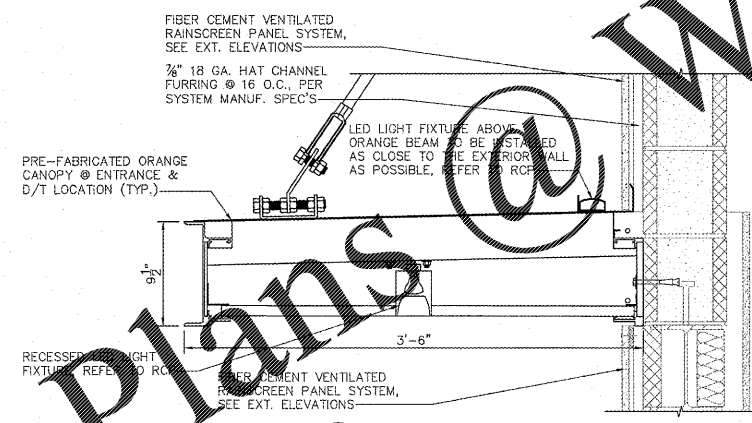
4 DETAIL @ PARAPET CORNICE
 A4.4 SCALE: 1 1/2" = 1'-0"



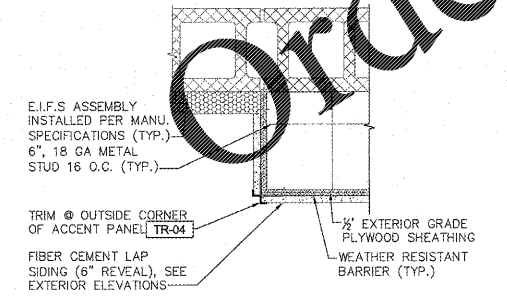
6 DETAIL @ FRONT MONOLITH BAND
 A4.4 SCALE: 1 1/2" = 1'-0"



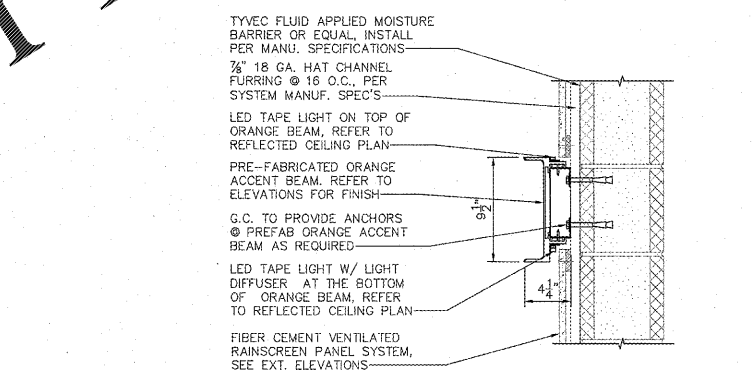
9 MATERIAL TRANSITION DETAIL
 A4.4 SCALE: 1 1/2" = 1'-0"



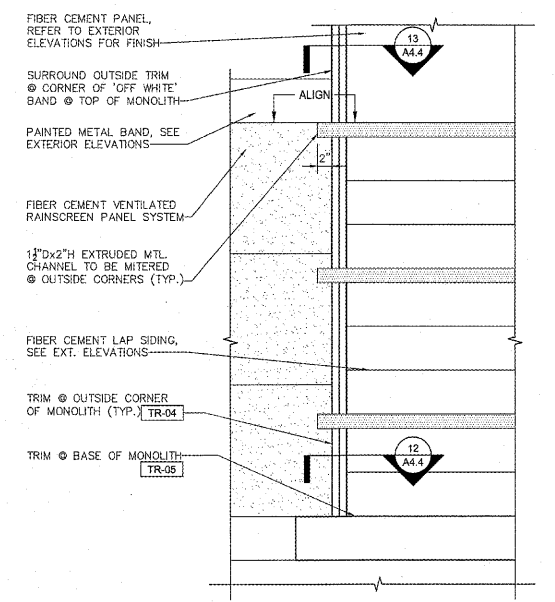
7 DETAIL @ (ORANGE BEAM) CANOPY
 A4.4 SCALE: 1 1/2" = 1'-0"



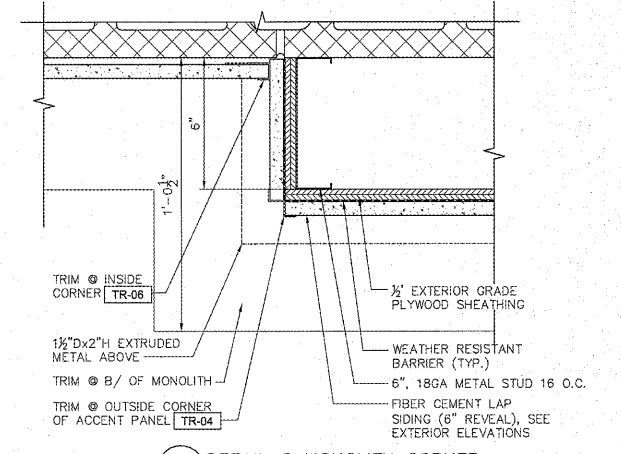
10 MATERIAL TRANSITION DETAIL
 A4.4 SCALE: 1 1/2" = 1'-0"



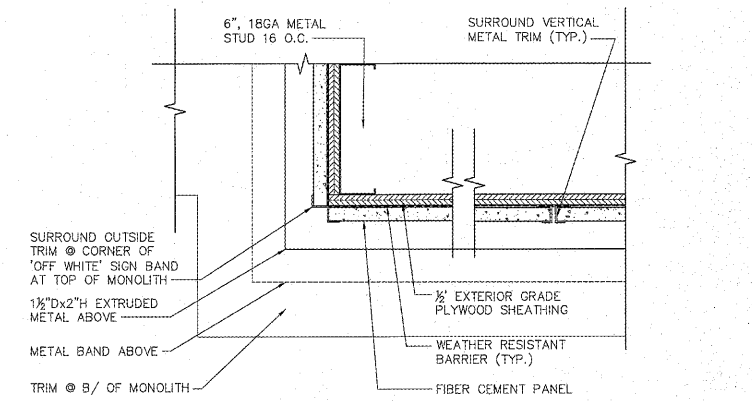
8 DETAIL @ ORANGE ACCENT BEAM
 A4.4 SCALE: 1 1/2" = 1'-0"



11 ENLARGED ELEVATION @ MONOLITH CORNER
 A4.4 SCALE: 1" = 1'-0"



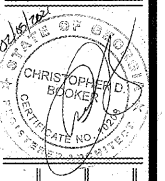
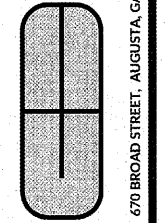
12 DETAIL @ MONOLITH CORNER
 A4.4 SCALE: 3" = 1'-0"



13 DETAIL @ MONOLITH CORNER
 A4.4 SCALE: 3" = 1'-0"

Order Plans @ WWW.LDOnline.com

SHELL DESIGN



ENLARGED DETAILS

DOWN BY: CLB
 CHECK BY:
 DATE: FEBRUARY 5, 2021
 REVISIONS:

JOB NO. 2052-A

SHEET NO. A4.4