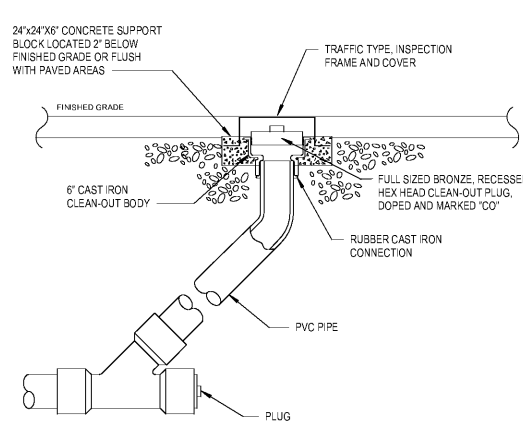
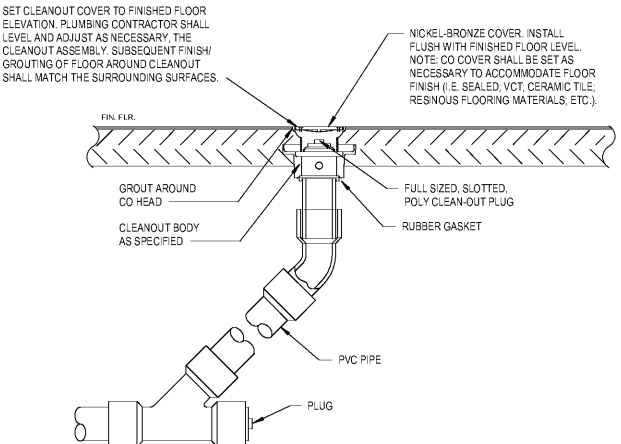


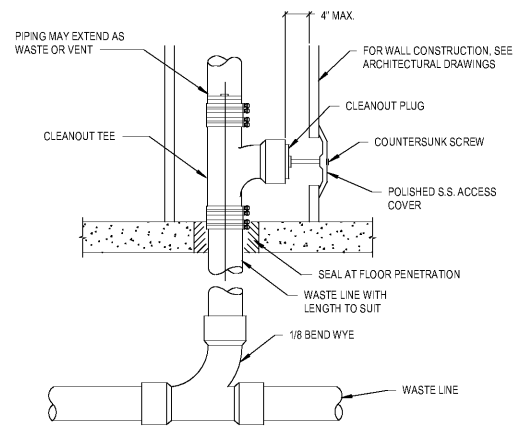
10/09/2020



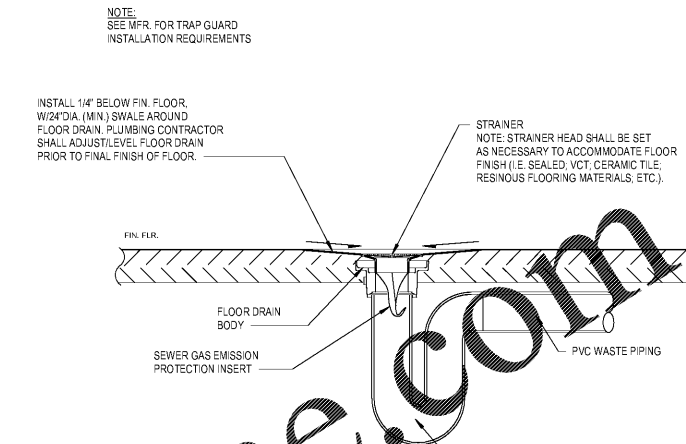
1 YARD CLEANOUT (YCO) DETAIL
NOT TO SCALE



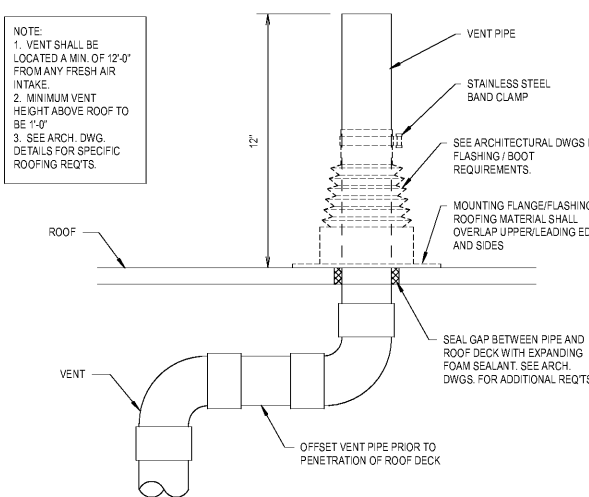
2 FLOOR CLEANOUT (FCO) DETAIL
NOT TO SCALE



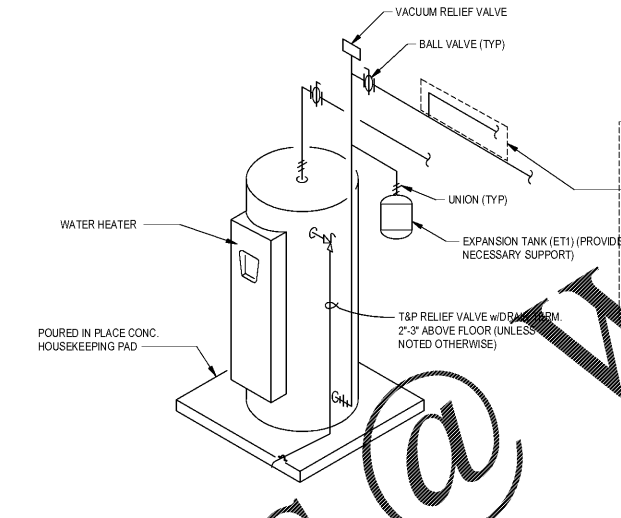
3 WALL CLEANOUT (WCO) DETAIL
NOT TO SCALE



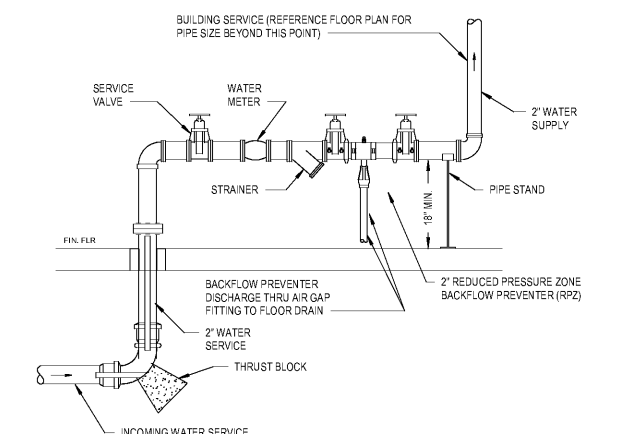
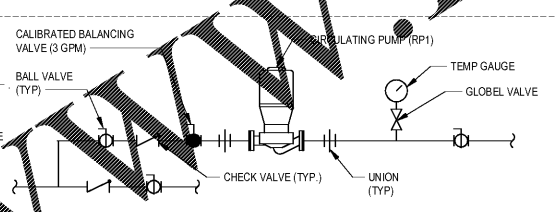
4 FLOOR DRAIN (FD) DETAIL
NOT TO SCALE



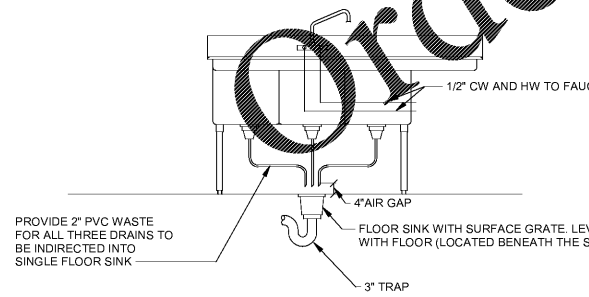
5 VENT THRU ROOF (VTR) DETAIL
NOT TO SCALE



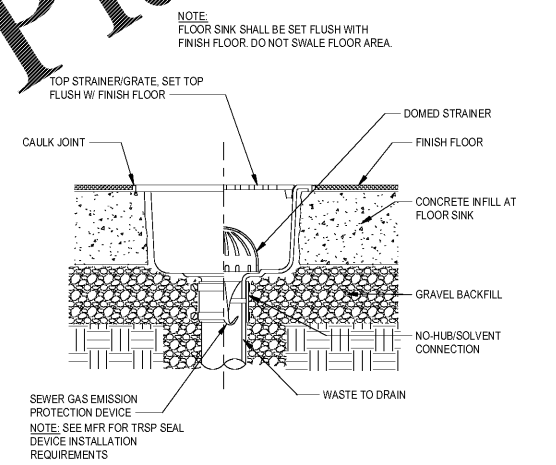
6 WATER HEATER DETAIL
1/4" = 1'-0"



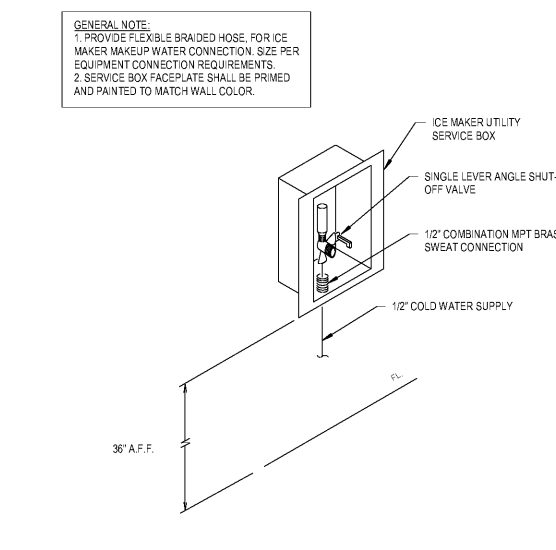
7 WATER SERVICE (RPZ-METER) RISER DETAIL
NOT TO SCALE



8 3 COMPARTMENT SINK (SK2) DETAIL
NOT TO SCALE



9 FLOOR SINK DETAIL
NOT TO SCALE



10 UTILITY BOX FOR ICE MACHINE (WB1) DETAIL
NOT TO SCALE

Order Plans @ www.LDILine.com

GENERAL NOTE:
1. PROVIDE FLEXIBLE BRAIDED HOSE, FOR ICE MAKER MAKEUP WATER CONNECTION. SIZE PER EQUIPMENT CONNECTION REQUIREMENTS.
2. SERVICE BOX FACEPLATE SHALL BE PRIMED AND PAINTED TO MATCH WALL COLOR.

Lancaster County, South Carolina
Indian Land Soccer Complex

10167 Harrisburg Road
Indian Land, SC 29707

Revisions:

Proj. No.: 80702
Date: 10/09/2020

Sheet Name:
**PLUMBING
DETAILS**

P-501