

EXHAUST FAN SCHEDULE table with columns: PLAN MARK, AREA SERVED, MANUFACTURER, MODEL, TYPE, CFM, ESP, RPM, DRIVE, SONES, HP, VOLT, PH, HZ, FLA, OPER. WEIGHT, NOTES.

ELECTRIC HEATER SCHEDULE table with columns: PLAN MARK, AREA SERVED, MANUFACTURER, MODEL, TYPE, CFM, KW, AIR TEMP RISE, NET HEATING CAP., ELECTRICAL, OPER. WEIGHT, NOTES.

OUTDOOR HEAT PUMP UNIT SCHEDULE table with columns: PLAN MARK, SERVES, MANUFACTURER, MODEL, TOTAL CLG MBH, OA TEMP, REFRIG. PIPE SIZE, INPUT KW, EFFICIENCY, REFRIG. TYPE, ELECTRICAL, OPER. WEIGHT, NOTES.

AIR HANDLING UNIT SCHEDULE table with columns: PLAN MARK, AREA SERVED, MANUFACTURER, MODEL, CFM, DB, WB, NOM. CFM, ESP, SENS. MBH, TOTAL EAT, REFRIG. TYPE, HEATING CAPACITIES, UNIT WEIGHT, ELECTRICAL, OPER. WEIGHT, NOTES.

H.V.A.C. DUCTWORK SCHEDULE (ASHRAE 90.1 CLIMATE ZONE 3A) table with columns: DUCT SYSTEM, FUNCTION, SHAPE, LOCATION, PRESSURE CLASS, MATERIAL, GAGE, LINER, INSULATION, NOTES.

NOTE: ALL EQUIPMENT LISTED IS BASIS OF DESIGN OR APPROVED EQUIPMENT

AIR DEVICE SCHEDULE table with columns: PLAN MARK, MANUFACTURER, MODEL, NECK SIZE, FUNCTION, LOCATION, THROW, MATERIAL, SLOTS, LENGTH, QTY, NOTES.

SCHEDULE NOTES and GENERAL NOTES sections for ductwork, including notes on insulation and sealing requirements.

DUCT SCHEDULE LEGEND table listing materials and finishes for ductwork components like insulation, gaskets, and liners.

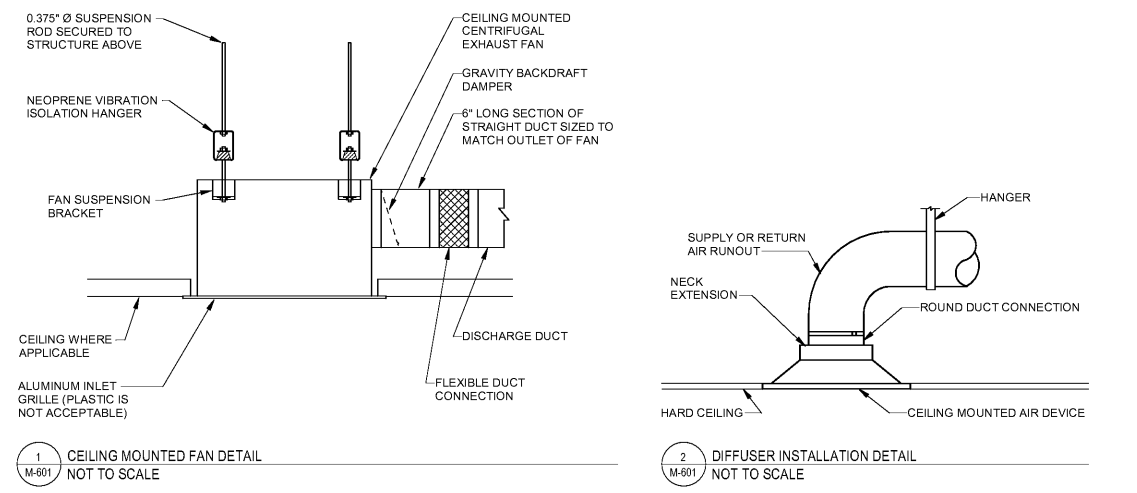
AIR-COOLED CONDENSING UNIT SCHEDULE table with columns: PLAN MARK, SERVES, MANUFACTURER, MODEL, COOLING CAP., OA TEMP, REFRIG. PIPE SIZE, INPUT WATTS, EFFICIENCY, REFRIG. TYPE, ELECTRICAL, OPER. WEIGHT, NOTES.

WALL MOUNTED DUCTLESS SPLIT SYSTEM SCHEDULE table with columns: PLAN MARK, AREA SERVED, MANUFACTURER, MODEL, FAN AIRFLOW, COOLING CAPACITIES, HEATING CAPACITIES, ELECTRICAL, OPER. WEIGHT, NOTES.

H.V.A.C. SYSTEM PIPING AND INSULATION SCHEDULE table with columns: PIPING SYSTEM, LOCATION, PIPE MATERIAL AND TYPE, FITTING TYPE AND MATERIALS, PIPE AND FITTING JOINT, PIPE AND FITTING INSULATION, PIPE JKT, FTG. JKTS, NOTES.

PIPE SYSTEM COLOR SCHEDULE

PIPE SYSTEM COLOR SCHEDULE table with columns: PIPE MATERIAL, PIPE TYPE, FITTING, INSULATION, JOINT, and color/coding information.



10/09/20

Lancaster County, South Carolina Indian Land Soccer Complex

10167 Harrisburg Road Indian Land, SC 29707

Proj. No.: 80702 Date: 10/09/2020

Sheet Name: MECHANICAL SCHEDULES & DETAILS

M-601