



Lancaster County, South Carolina
Indian Land Soccer Complex
Lancaster County Parks & Recreation Soccer Complexes
10167 Harrisburg Road
Indian Land, SC 29707

Revisions:

Proj. No.: 080702
Date: 10/09/2020

Sheet Name:
FINISH SCHEDULE & WINDOW DETAILS

A-601

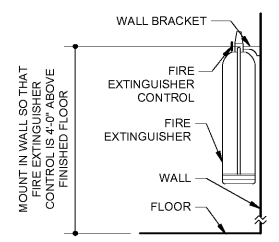
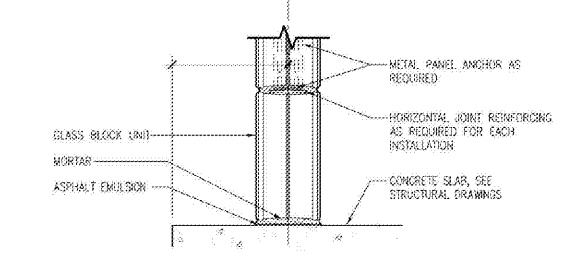
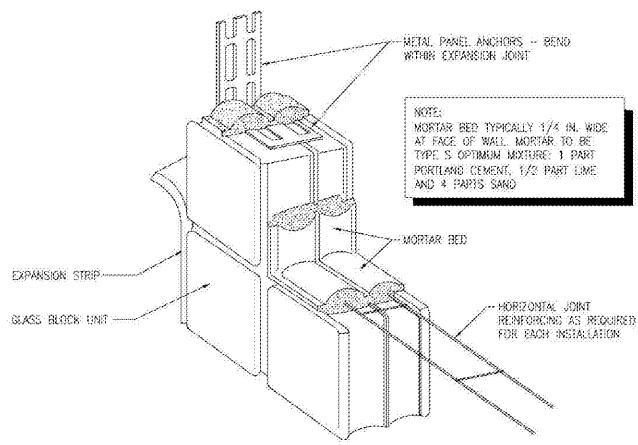
FINISH SCHEDULE								
ROOM NO.	ROOM NAME	FLOOR			CEILING			REMARKS
		FINISH	BASE	WALL FINISH	CEILING MATL	FINISH	HEIGHT	
100	BREEZEWAY	BROOM-FINISH CONCRETE		BRICK VENEER	MDO PLYWOOD	PT-1/PT-4	10' - 0"	
101	CONCESSIONS	RESINOUS FLOORING	6" COVED RESINOUS FLOORING	CMU, PT-1	MDO PLYWOOD	PT-3/PT-4	10' - 0"	
102	TELECOM	RESINOUS FLOORING	6" COVED RESINOUS FLOORING	CMU, PT-1	MDO PLYWOOD	PT-3/PT-4	10' - 0"	
103	MEN	RESINOUS FLOORING	6" COVED RESINOUS FLOORING	CMU, PT-1	MDO PLYWOOD	PT-3/PT-4	10' - 0"	
104	WOMEN	RESINOUS FLOORING	6" COVED RESINOUS FLOORING	CMU, PT-1	MDO PLYWOOD	PT-3/PT-4	10' - 0"	
105	CHASE/JANITOR	SEALED CONCRETE		EXPOSED CMU	MDO PLYWOOD	PT-3/PT-4	10' - 0"	
106	FAMILY TOILET	RESINOUS FLOORING	6" COVED RESINOUS FLOORING	CMU, PT-1	MDO PLYWOOD	PT-3/PT-4	10' - 0"	
107	MAINTENANCE STORAGE	SEALED CONCRETE		CMU, PT-1	MDO PLYWOOD	PT-3/PT-4	10' - 0"	
110	SEATING AREA	BROOM-FINISH CONCRETE		BRICK VENEER	MDO PLYWOOD	PT-1/PT-4	10' - 0"	

WINDOW SCHEDULE											
MARK	R.O.		TYPE	FRAME		GLAZING	DETAIL			REMARKS	
	WIDTH	HEIGHT		MATERIAL	FINISH		TYPE	THICKNESS	HEAD		LAME
W1	2' - 8"	2' - 0"	GLASS BLOCK	N/A	N/A	SOLID GB	1/A-1	1/A-601	1/A-311	7' - 4"	STIPPLED
W2	2' - 0"	2' - 0"	GLASS BLOCK	N/A	N/A	SOLID GB	1/A-1	1/A-601	1/A-311	7' - 4"	STIPPLED
W3	10' - 0"	4' - 4"	SERVICE PASS WINDOW	ALUMINUM	POWDER-COAT WHITE	INSULATED	3/A-3	3/A-311	3/A-311	7' - 4"	TEMPERED, INSULATED

FINISH LEGEND	
PAINT	FLUID-APPLIED FLOORING
PT-1 MFR: SHERWIN WILLIAMS SW9087 SMOKEY BEIGE COLOR: SHERWIN WILLIAMS SW9087 SMOKEY BEIGE LOCATION: INTERIOR BRICK, SAND EXPOSED FERROUS METAL, BOLLARDS, INTERIOR CEILING BATTENS	CC-1 MFR: SHERWIN WILLIAMS - GENERAL POLYMERS PRODUCT: CERAMIC CARPET #400 FINISH: DECORATIVE BROADCAST, 1/8" COLOR: 319 SANDPOINT LOCATION: PER SCHEDULE NOTES: PROVIDE INTEGRAL COVE BASE AS SCHEDULED
PT-2 MFR: SHERWIN WILLIAMS SW7006 EXTRA WHITE COLOR: SHERWIN WILLIAMS SW7006 EXTRA WHITE LOCATION: EXTERIOR FASCIA, TRIM, CEILING AND WALL BATTENS, AND BRACKETS	SOLID SURFACE
PT-3 MFR: SHERWIN WILLIAMS SW7035 AESTHETIC WHITE COLOR: SHERWIN WILLIAMS SW7035 AESTHETIC WHITE LOCATION: INTERIOR MDO CEILING PANELS AND TRIM	SS-1 MFR: WILSONART PRODUCT: SOLID SURFACE COLOR: 9135MG CASHMERE MIRAGE
PT-4 MFR: SHERWIN WILLIAMS SW7006 EXTRA WHITE COLOR: SHERWIN WILLIAMS SW7006 EXTRA WHITE LOCATION: EXTERIOR FASCIA, TRIM, CEILING AND WALL BATTENS, AND BRACKETS	PLASTIC LAMINATE
	PL-1 MFR: WILSONART PRODUCT: STANDARD LAMINATE COLOR: D96 SHADOW FINISH: MATTE FINISH
	STANDING SEAM METAL ROOF
	SSM-1 MFR: MBCI PRODUCT: SUPERLOK COLOR: MEDIUM BRONZE FINISH: SIGNATURE 300

- FINISH NOTES**
- ABBREVIATIONS LISTED ON INTERIOR FINISH SHEETS ARE FOR FINISH SCHEDULE & FINISH INFORMATION ONLY.
 - FINISHES AND PRODUCTS SHALL BE INSTALLED PER MANUFACTURER RECOMMENDATIONS WITH ASSOCIATED PRODUCTS CONSISTENT WITH MFR WARRANTY REQUIREMENTS.
 - ALL EXPOSED FERROUS METAL TO BE PAINTED, SEE SPECS.
 - REFERENCES TO SPECIFIC MANUFACTURER ARE TO ESTABLISH BASIS OF DESIGN ONLY. SEE SPECS.
 - COLORS SHALL BE SELECTED BY ARCHITECT FROM FULL LINE OF MANUFACTURER STANDARD OPTIONS.

FINISH ABBREVIATIONS	
CC	CERAMIC CARPET MANUFACTURER
MFR	MANUFACTURER
PL	PLASTIC LAMINATE
PT	PAINT
SS	SOLID SURFACE
SSM	STANDING SEAM METAL



- FIRE EXTINGUISHER NOTES:**
- WALL BRACKETS & FIRE EXTINGUISHERS PER SPECIFICATIONS
 - PROVIDE APPROPRIATELY RATED FIRE EXTINGUISHER CABINET IN RATED WALL ASSEMBLIES

3 FIRE EXTINGUISHER BRACKET MOUNT
SCALE: 3/4" = 1'-0"

