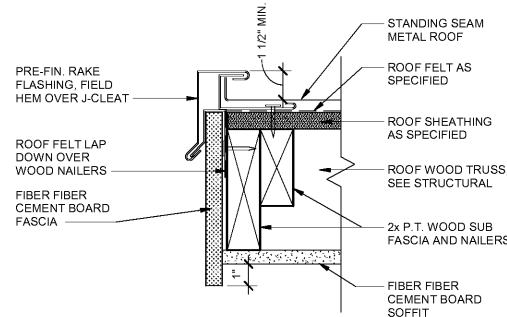
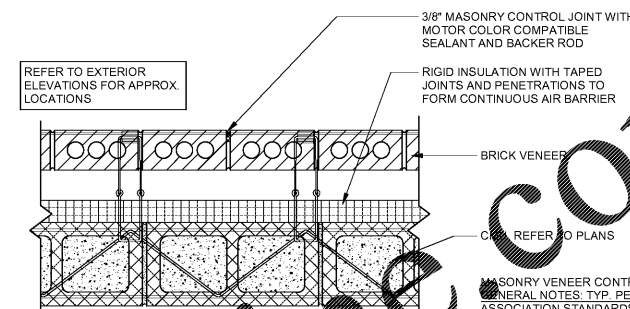


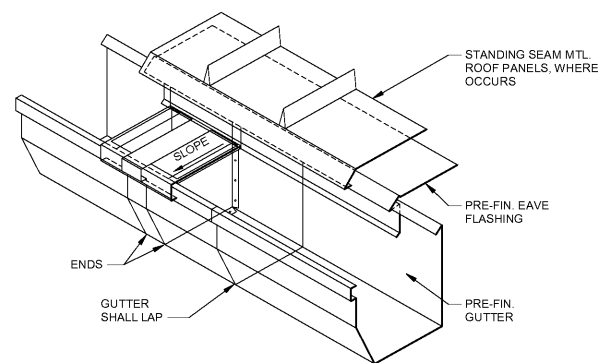
**1 GUTTER DETAIL @ STANDING SEAM ROOF**  
SCALE: 3" = 1'-0"



**2 TYP. METAL RAKE DETAIL**  
SCALE: 3" = 1'-0"

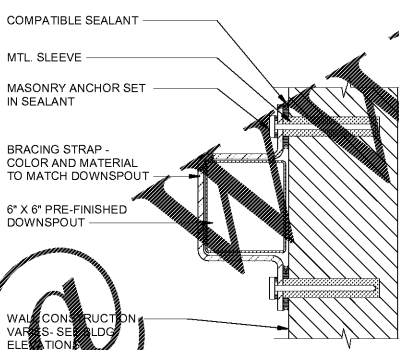


**7 TYP. MASONRY CONTROL JOINT @ EXTERIOR WALL**  
SCALE: 1 1/2" = 1'-0"

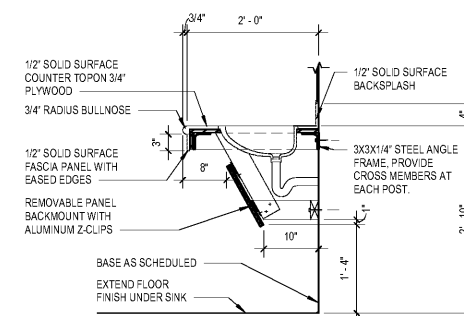


**3 TYP. GUTTER EXPANSION DETAIL**  
SCALE: 1 1/2" = 1'-0"

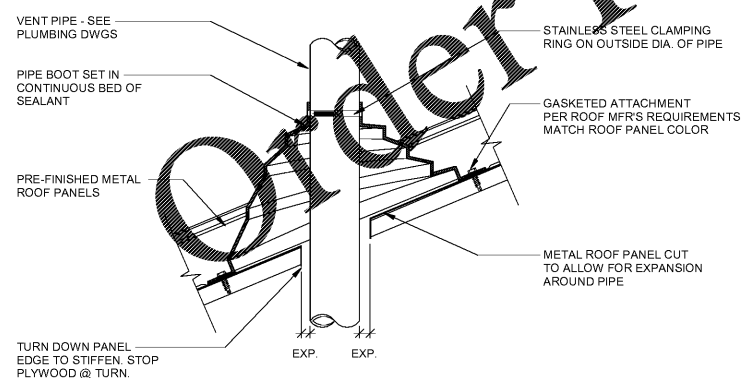
- NOTE:
1. PROVIDE EXPANSION JOINT SPACING @ GUTTER PER SMACNA GUIDELINES.
  2. GUTTER & FLASHING BY MTL. BLDG. MFR. - EXACT DETAILS & INSTALLATION PER MFR. RECOMMENDATIONS.



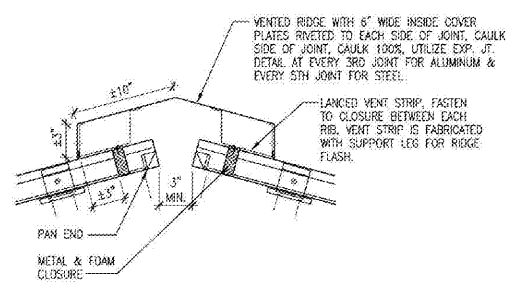
**4 TYP. DOWNSPOUT BRACING**  
SCALE: 1 1/2" = 1'-0"



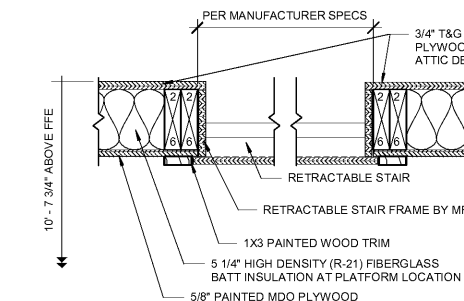
**8 CASEWORK DETAIL**  
SCALE: 3/4" = 1'-0"



**5 METAL ROOF PIPE PENETRATION DETAIL**  
SCALE: 1 1/2" = 1'-0"



**6 RIDGE VENT DETAIL**  
SCALE: 1 1/2" = 1'-0"



**9 SECTION @ RETRACTABLE STAIR**  
SCALE: 1 1/2" = 1'-0"

Lancaster County, South Carolina  
**Indian Land Soccer Complex**  
Lancaster County Parks & Recreation Soccer Complexes  
10167 Harrisburg Road  
Indian Land, SC 29707

Revisions:

Proj. No.: 080702  
Date: 10/09/2020

Sheet Name:  
TYPICAL DETAILS