



Lancaster County, South Carolina  
**Indian Land Soccer Complex**  
Lancaster County Parks & Recreation Soccer Complexes  
10167 Harrisburg Road  
Indian Land, SC 29707

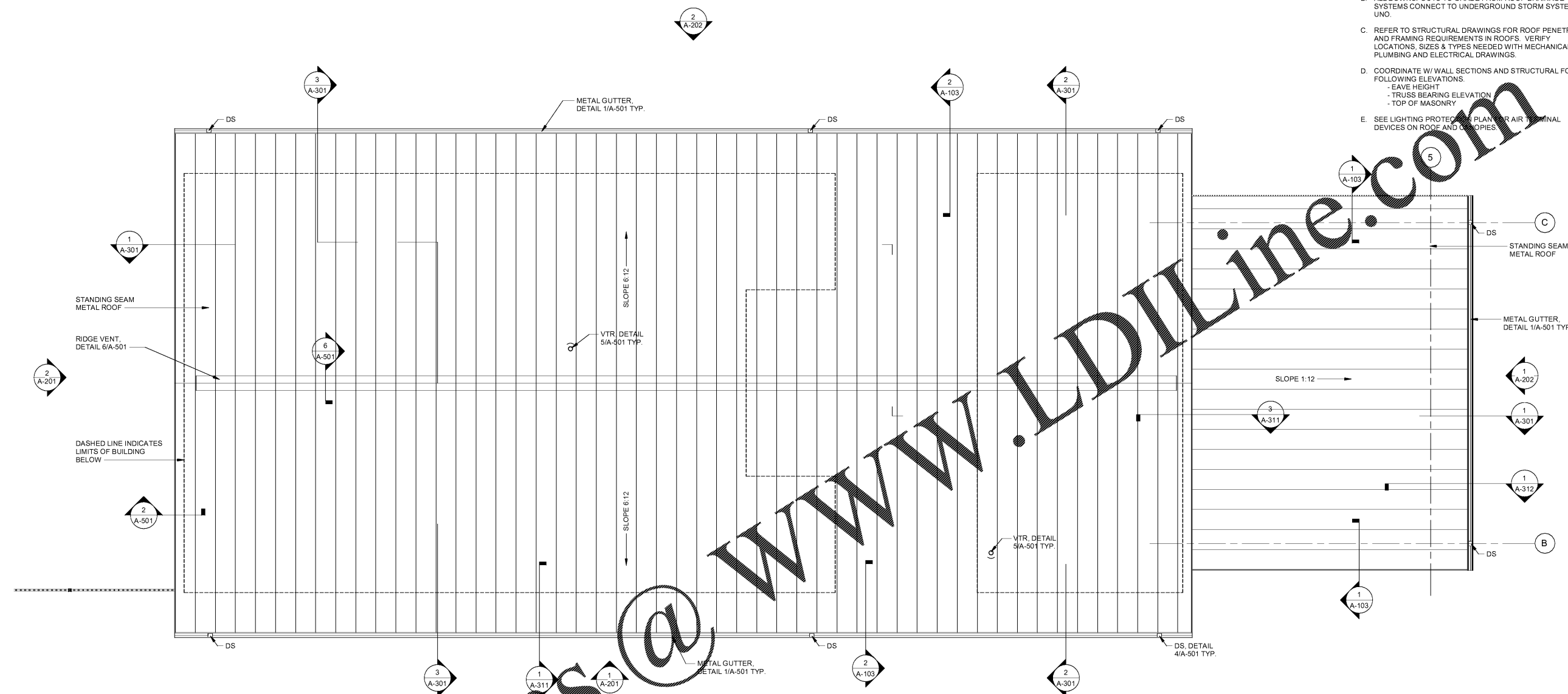
Revisions:

Proj. No.: 080702  
Date: 10/09/2020

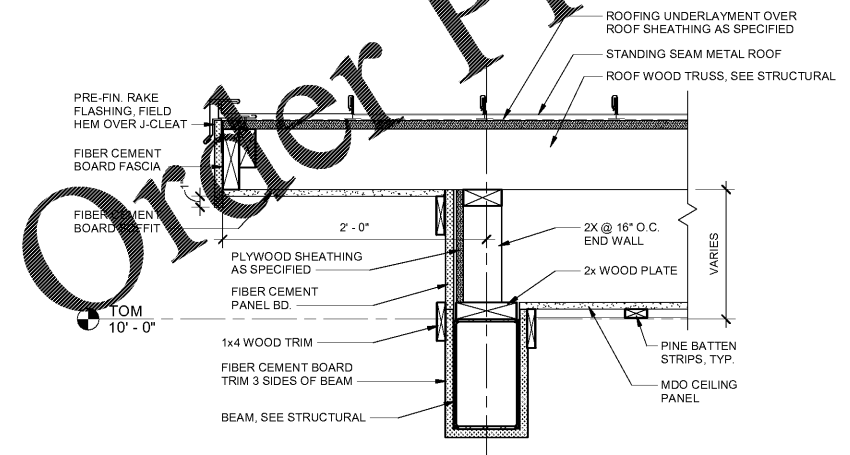
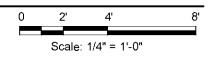
Sheet Name:  
**ROOF PLAN**

**A-103**

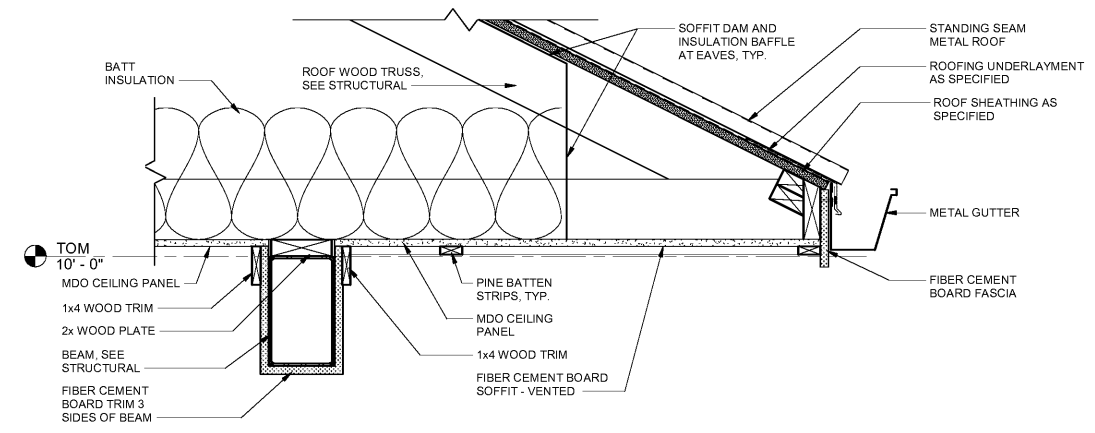
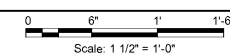
- GENERAL ROOF PLAN NOTES:**
- A. REFER TO MECHANICAL, ELECTRICAL AND PLUMBING DRAWINGS FOR ADDITIONAL LOCATIONS OF EQUIPMENT AND ROOF PENETRATIONS.
  - B. ALL DOWNSPOUTS TO GRADE FROM ROOF DRAINAGE SYSTEMS CONNECT TO UNDERGROUND STORM SYSTEM UND.
  - C. REFER TO STRUCTURAL DRAWINGS FOR ROOF PENETRATION AND FRAMING REQUIREMENTS IN ROOFS. VERIFY LOCATIONS, SIZES & TYPES NEEDED WITH MECHANICAL, PLUMBING AND ELECTRICAL DRAWINGS.
  - D. COORDINATE W/ WALL SECTIONS AND STRUCTURAL FOR THE FOLLOWING ELEVATIONS.
    - EAVE HEIGHT
    - TRUSS BEARING ELEVATION
    - TOP OF MASONRY
  - E. SEE LIGHTING PROTECTION PLAN FOR AIR TERMINAL DEVICES ON ROOF AND COPIES.



**ROOF PLAN**  
SCALE: 1/4" = 1'-0"



**1 ROOF DETAIL**  
SCALE: 1 1/2" = 1'-0"



**2 ROOF DETAIL**  
SCALE: 1 1/2" = 1'-0"

