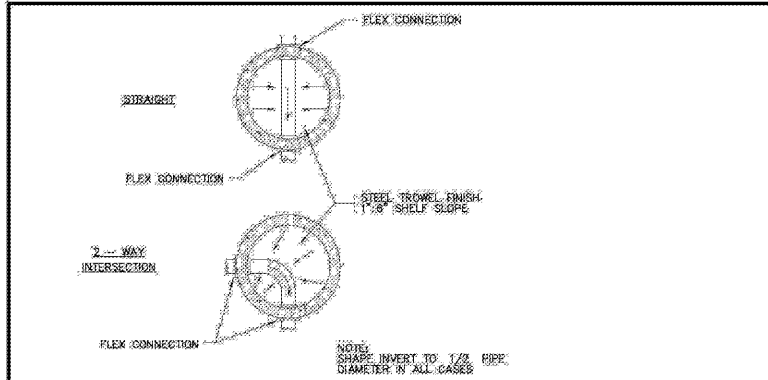


TYPICAL SECTION OF PRECAST SANITARY SEWER DROP MANHOLE
N.T.S.

- NOTES:
- CARE MUST BE TAKEN TO FORM A SMOOTH FINISHED TROUGH FROM ENTRANCE PIPES TO EXIT PIPE, AND IN CURVED MANHOLES, THE TROUGH MUST BE A SMOOTH, CIRCULAR AND TANGENT TO THE INSIDE WALLS OF THE PIPES AT THEIR ENDS.
 - THE SLOPE OF THE OUTSIDE DROP TROUGH SHALL BE 1/4" PER FOOT.
 - ALL PIPE OPENINGS TO BE NO GREATER THAN 3" LARGER THAN O.D. OF PIPE AND ADDITIONALLY REINFORCED WITH A MINIMUM OF 0.20 SQ. IN. OF STEEL AT 90 DEGREES. PIPE TO BE CENTERED IN OPENINGS. ADDITIONAL REINFORCING NOT REQUIRED FOR CORED OPENINGS.
 - OUTSIDE DROP SHALL NOT ENTER MANHOLE IN CONE SECTION. MATCH DROP INFLUENT CROWN TO CROWN WITH EFFLUENT PIPE.
 - ALL PRECAST MANHOLES TO INCLUDE STEPS.
 - MAXIMUM HEIGHT FROM TOP OF MANHOLE CONE TO TOP OF MANHOLE TO BE 18".
 - ALL DIP PIPE AND FITTINGS TO BE COATED.

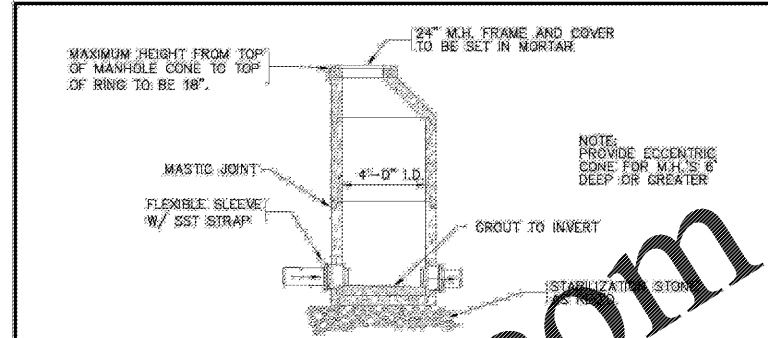
LANCASTER COUNTY WATER & SEWER DISTRICT	
DRAWING NO. 100000000	
DROP MANHOLE-DETAIL 1	
SEWER	
D1/06	NONE
PCSMM	SS



TYPICAL MANHOLE INVERTS
N.T.S.

NOTE: SEE TYPICAL MANHOLE SECTION DETAIL FOR CONTINUATION OF MANHOLE CONSTRUCTION

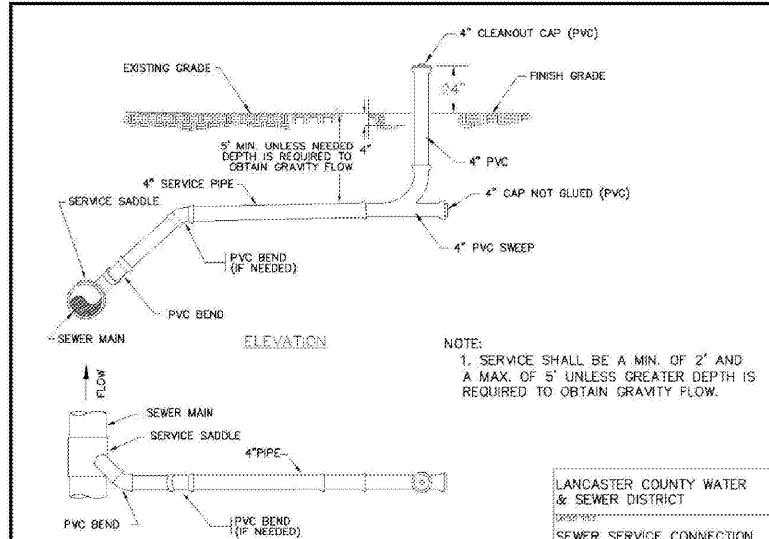
LANCASTER COUNTY WATER & SEWER DISTRICT	
DRAWING NO. 100000000	
TYPICAL MANHOLE INVERTS	
SEWER	
D1/06	NONE
MHNV	S29



TYPICAL SECTION OF PRECAST SANITARY MANHOLE
N.T.S.

- NOTE:
- ALL PRECAST MANHOLE'S TO INCLUDE STEPS.
 - MAXIMUM OF 18" FROM TOP OF CONE TO TOP OF RING.
 - CARE MUST BE TAKEN TO FORM A SMOOTH FINISHED TROUGH FROM ENTRANCE PIPES TO EXIT PIPES, AND IN CURVED MANHOLES, THE TROUGH MUST BE A SMOOTH, CIRCULAR AND TANGENT TO THE INSIDE WALLS OF THE PIPES AT THEIR ENDS.
 - THE SLOPE OF THE OUTSIDE DROP TROUGH SHALL BE 1/4" PER FOOT.
 - ALL PIPE OPENINGS TO BE NO GREATER THAN 3" LARGER THAN O.D. OF PIPE AND ADDITIONALLY REINFORCED WITH A MINIMUM OF 0.20 SQ. IN. OF REINFORCEMENT NOT REQUIRED FOR CORED OPENINGS.
 - OUTSIDE DROP SHALL NOT ENTER MANHOLE IN CONE SECTION. MATCH DROP INFLUENT CROWN TO CROWN WITH EFFLUENT PIPE.

LANCASTER COUNTY WATER & SEWER DISTRICT	
DRAWING NO. 100000000	
SEWER	
D1/06	NONE
MHNV	S30



TYPICAL SEWER SERVICE CONNECTION
N.T.S.

- NOTE:
- SERVICE SHALL BE A MIN. OF 2' AND A MAX. OF 5' UNLESS GREATER DEPTH IS REQUIRED TO OBTAIN GRAVITY FLOW.

LANCASTER COUNTY WATER & SEWER DISTRICT	
DRAWING NO. 100000000	
SEWER SERVICE CONNECTION DETAIL 2	
SEWER	
D1/06	NONE
PCSMM	S32

Order Plans @ www.LDW.com



11301 Camel Commons Blvd
Suite 300
Charlotte, NC 28226
704.525.6284
FAX: 704.525.0115



Lancaster County, South Carolina
Indian Land Soccer Complex

10167 Hamisburg Road
Indian Land, SC 29707

Revisions:

Proj. No.: 80702
Date: 10/13/2020

Sheet Name:
Utility Details -
Sanitary Sewer

L-605