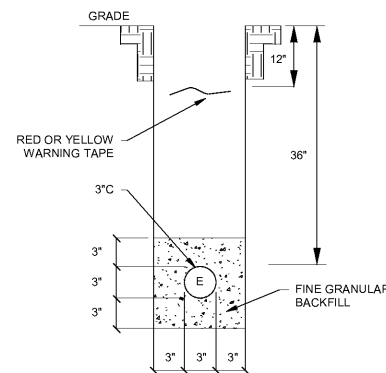
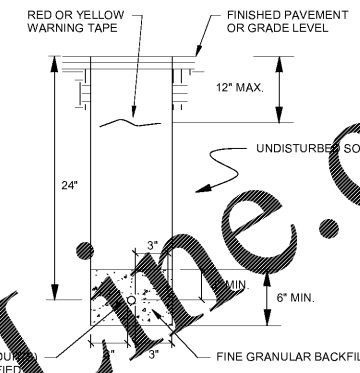


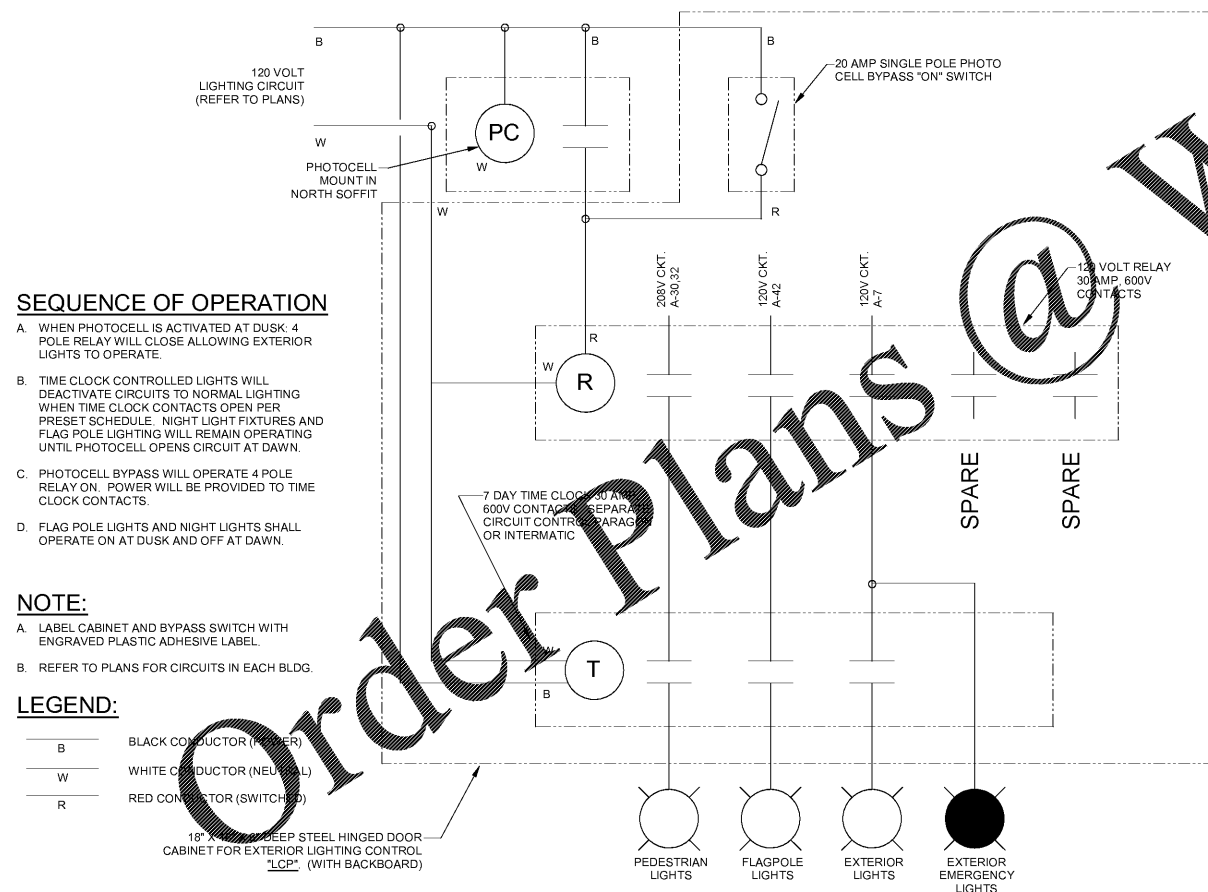
3 HANDHOLE DETAIL
SCALE: NTS



2 SECONDARY MAIN UNDERGROUND CONDUITS
SCALE: NTS



1 BRANCH CIRCUIT UNDERGROUND CONDUITS
SCALE: NTS



SEQUENCE OF OPERATION

- WHEN PHOTOCELL IS ACTIVATED AT DUSK, 4 POLE RELAY WILL CLOSE ALLOWING EXTERIOR LIGHTS TO OPERATE.
- TIME CLOCK CONTROLLED LIGHTS WILL DEACTIVATE CIRCUITS TO NORMAL LIGHTING WHEN TIME CLOCK CONTACTS OPEN PER PRESET SCHEDULE. NIGHT LIGHT FIXTURES AND FLAG POLE LIGHTING WILL REMAIN OPERATING UNTIL PHOTOCELL OPENS CIRCUIT AT DAWN.
- PHOTOCELL BYPASS WILL OPERATE 4 POLE RELAY ON. POWER WILL BE PROVIDED TO TIME CLOCK CONTACTS.
- FLAG POLE LIGHTS AND NIGHT LIGHTS SHALL OPERATE ON AT DUSK AND OFF AT DAWN.

NOTE:

- LABEL CABINET AND BYPASS SWITCH WITH ENGRAVED PLASTIC ADHESIVE LABEL.
- REFER TO PLANS FOR CIRCUITS IN EACH BLDG.

LEGEND:

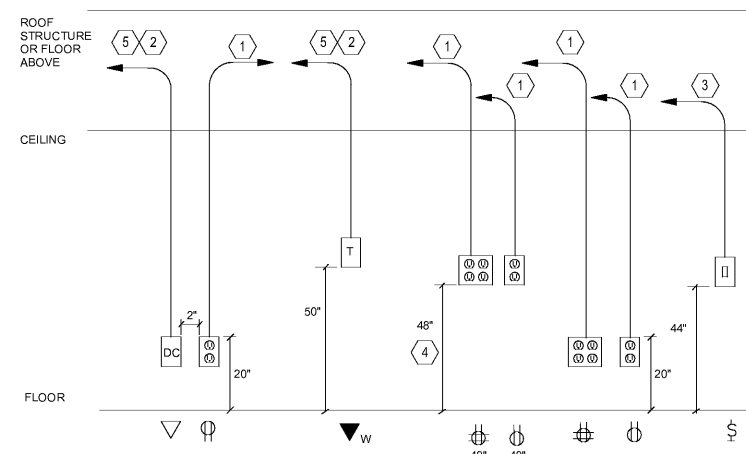
- B BLACK CONDUCTOR (NEUTRAL)
- W WHITE CONDUCTOR (NEUTRAL)
- R RED CONDUCTOR (SWITCHED)

DETAIL NOTES

- 120 VOLT RECEPTACLE BRANCH CIRCUIT. REFER TO POWER PLANS AND PANELBOARD SCHEDULES
- CONDUIT WITH CABLES STUBBED ABOVE CEILING
- SWITCH LEG
- 48" OR 4" ABOVE BACKSPLASH
- REFER TO SYSTEMS PLAN FOR CONDUIT ROUTING

DETAIL LEGEND

- DC TELEPHONE/DATA OUTLET
- T TELEPHONE OUTLET
- 120V POWER OUTLET
- SWITCH
- QUADRAPLEX 120V POWER OUTLET



4 DEVICE ELEVATION DETAILS
SCALE: NTS

5 EXTERIOR LIGHTING CONTROL DIAGRAM
SCALE: NTS