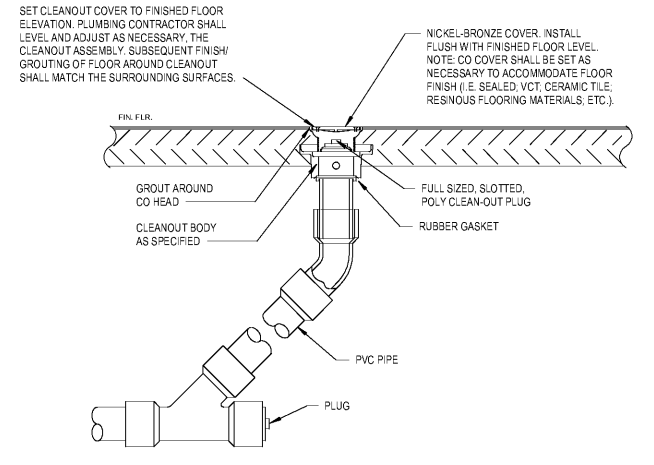
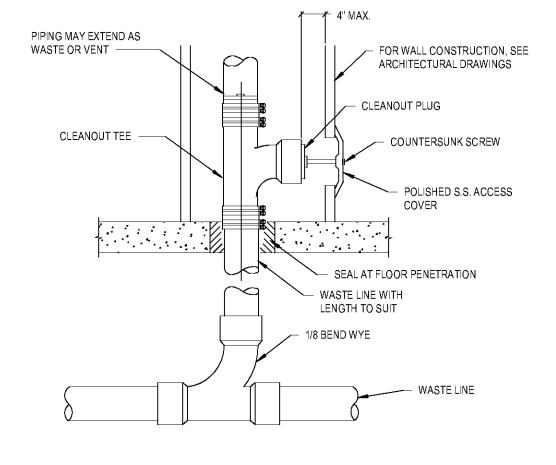


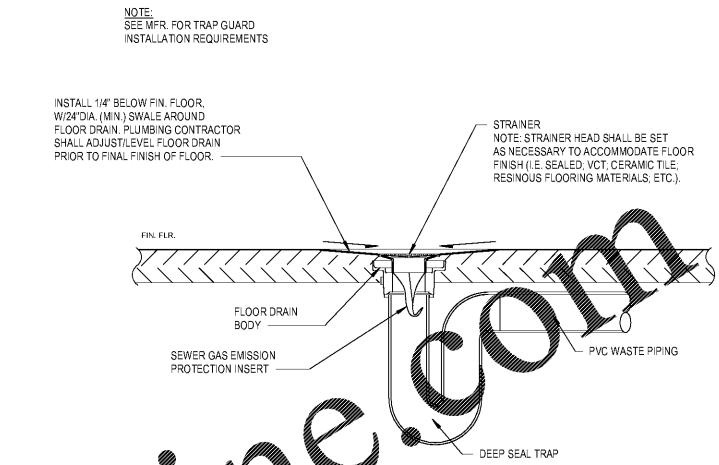
1 YARD CLEANOUT (YCO) DETAIL
NOT TO SCALE



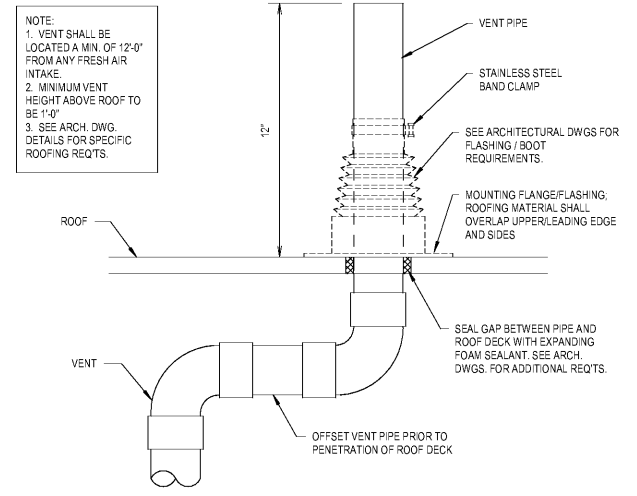
2 FLOOR CLEANOUT (FCO) DETAIL
NOT TO SCALE



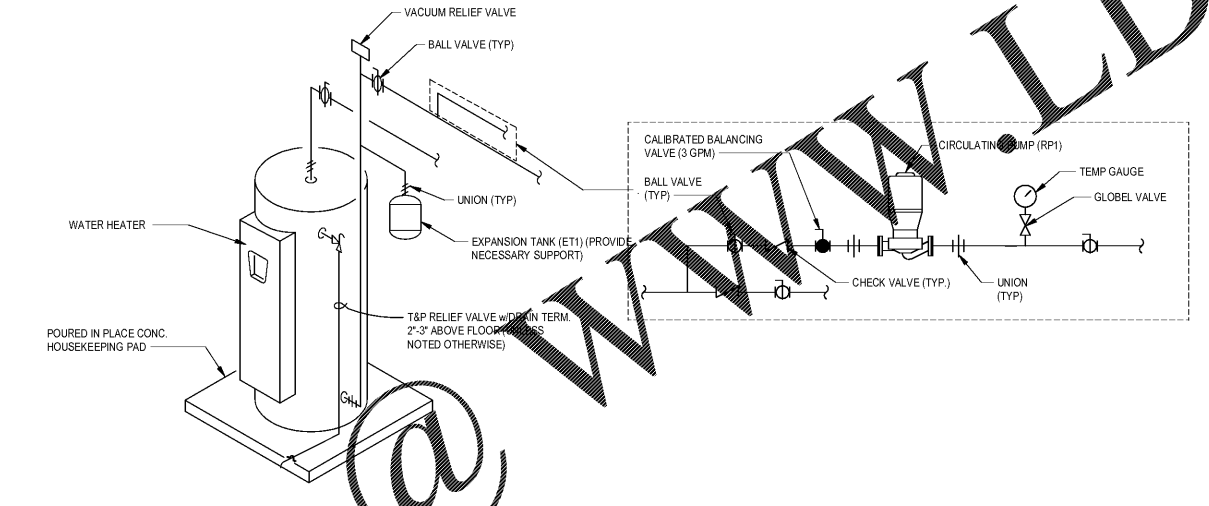
3 WALL CLEANOUT (WCO) DETAIL
NOT TO SCALE



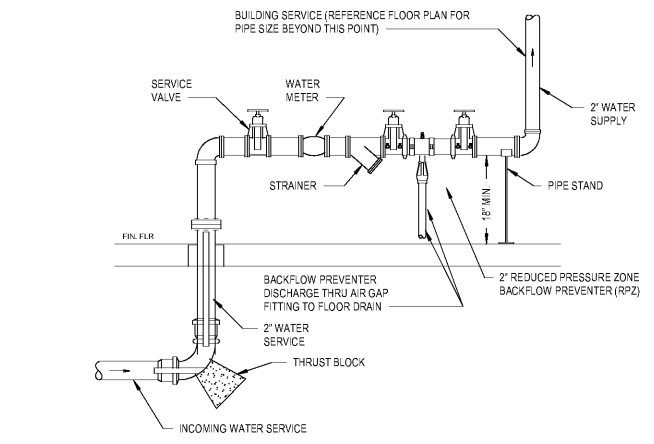
4 FLOOR DRAIN (FD) DETAIL
NOT TO SCALE



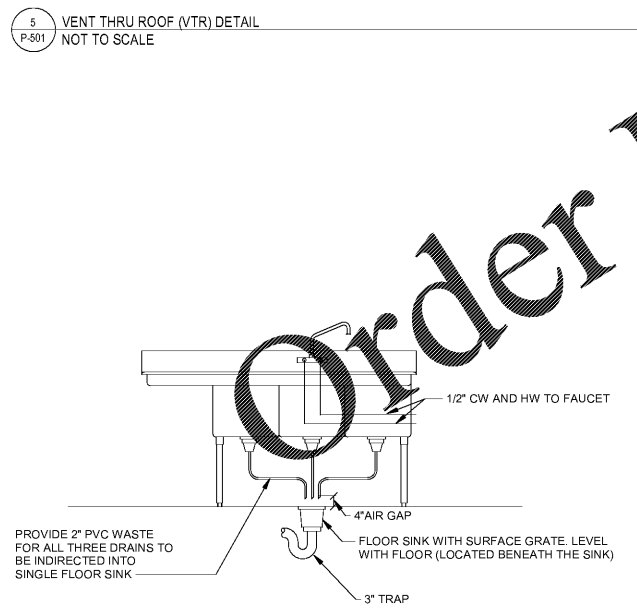
5 VENT THRU ROOF (VTR) DETAIL
NOT TO SCALE



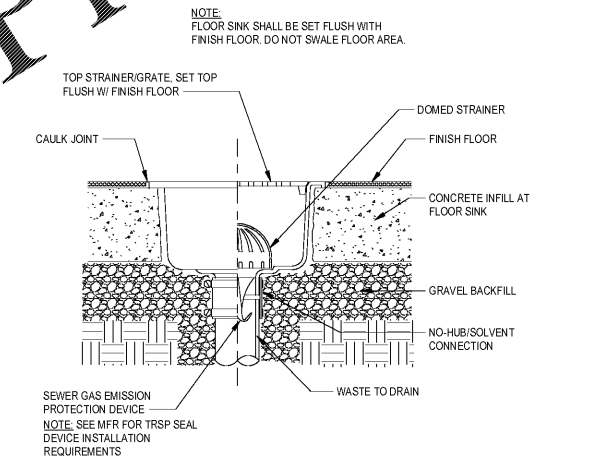
6 WATER HEATER DETAIL
NOT TO SCALE



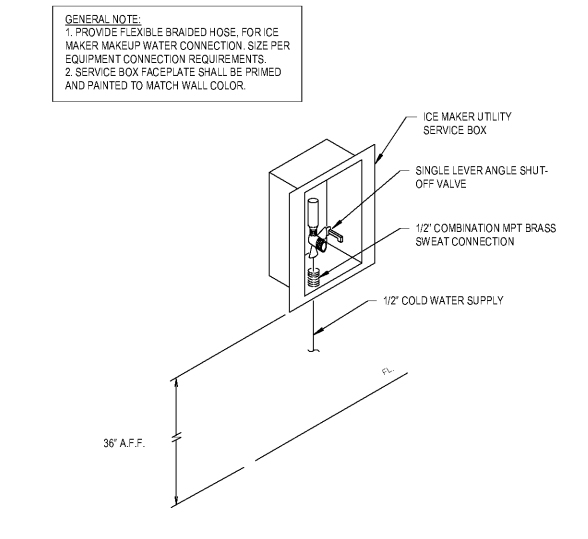
7 WATER SERVICE (RPZ-METER) RISER DETAIL
NOT TO SCALE



8 3 COMPARTMENT SINK (SK2) DETAIL
NOT TO SCALE



9 FLOOR SINK DETAIL
NOT TO SCALE



10 UTILITY BOX FOR ICE MACHINE (WB1) DETAIL
NOT TO SCALE

Order Plans @ www.LDILine.com