

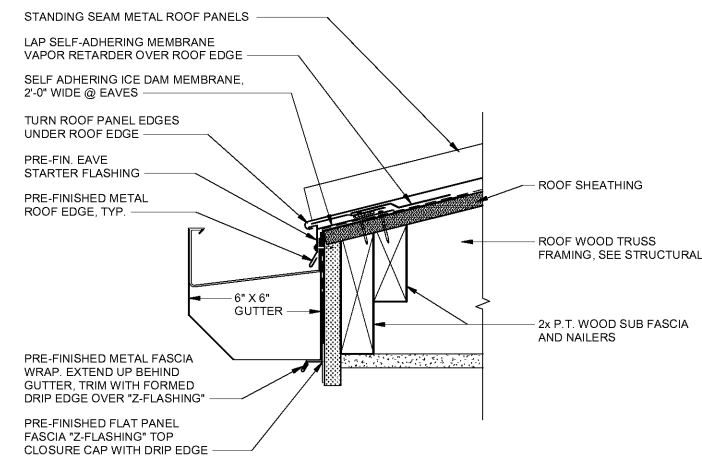


Lancaster County, South Carolina
Heath Springs Soccer Complex
Lancaster County Parks & Recreation Soccer Complexes
200 Boyd Falls Road
Heath Springs, SC 29068

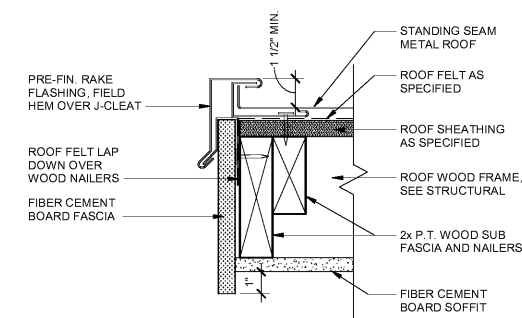
Revisions:

Proj. No.: 080703
Date: 10/09/2020

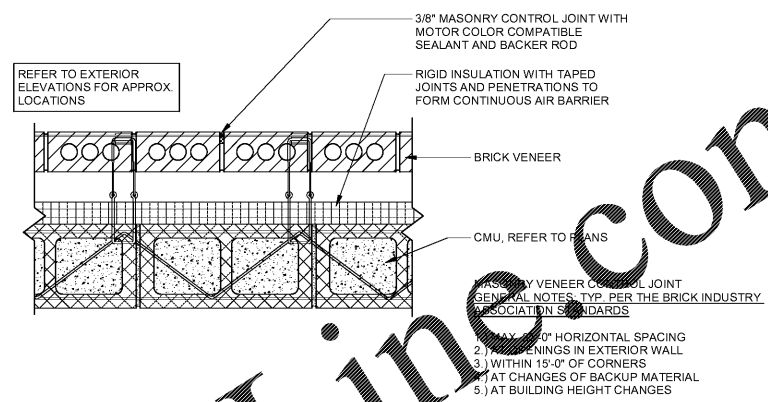
Sheet Name:
TYPICAL DETAILS



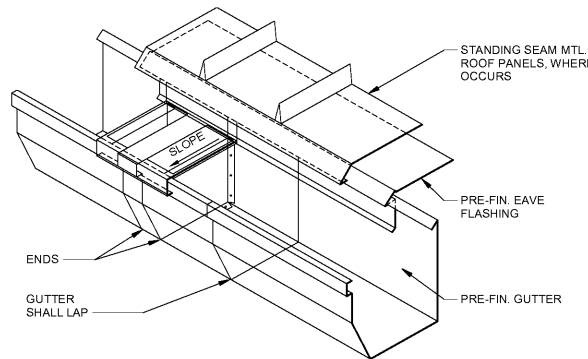
1 GUTTER DETAIL @ STANDING SEAM ROOF
SCALE: 3" = 1'-0"



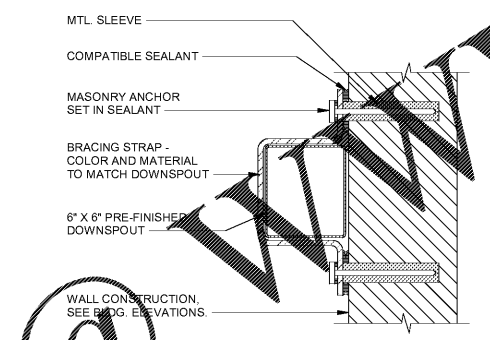
2 TYP. METAL RAKE DETAIL
SCALE: 3" = 1'-0"



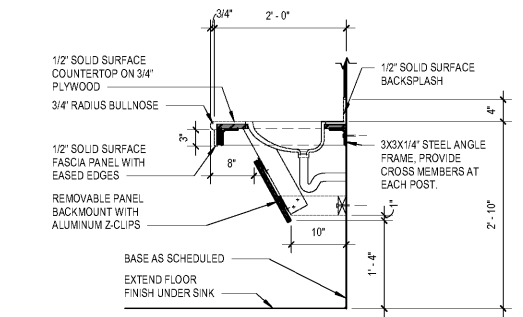
7 TYP. MASONRY CONTROL JOINT @ EXTERIOR WALL
SCALE: 1/2" = 1'-0"



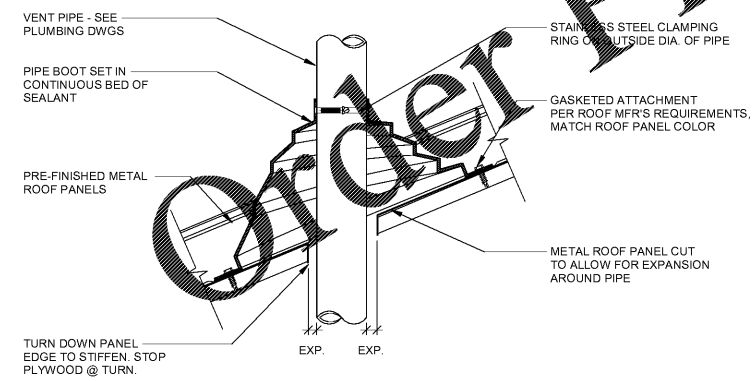
3 TYP. GUTTER EXPANSION DETAIL
SCALE: 1 1/2" = 1'-0"



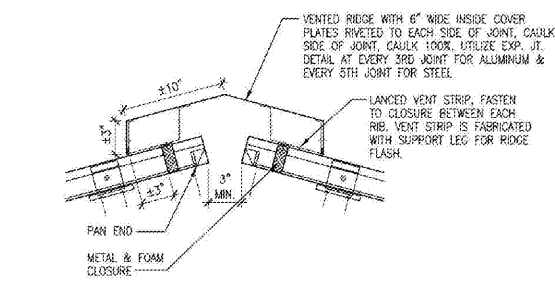
4 TYP. DOWNSPOUT BRACING
SCALE: 1 1/2" = 1'-0"



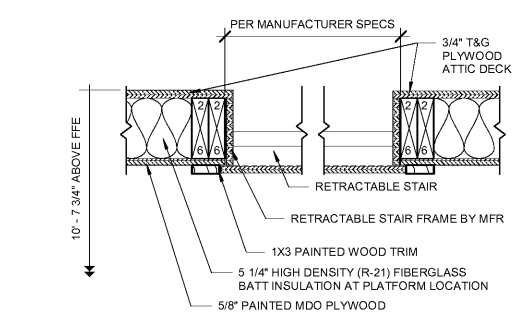
8 CASEWORK DETAIL
SCALE: 3/4" = 1'-0"



5 METAL ROOF PIPE PENETRATION DETAIL
SCALE: 1 1/2" = 1'-0"



6 RIDGE VENT DETAIL
NTS



9 SECTION @ RETRACTABLE STAIR
SCALE: 1 1/2" = 1'-0"