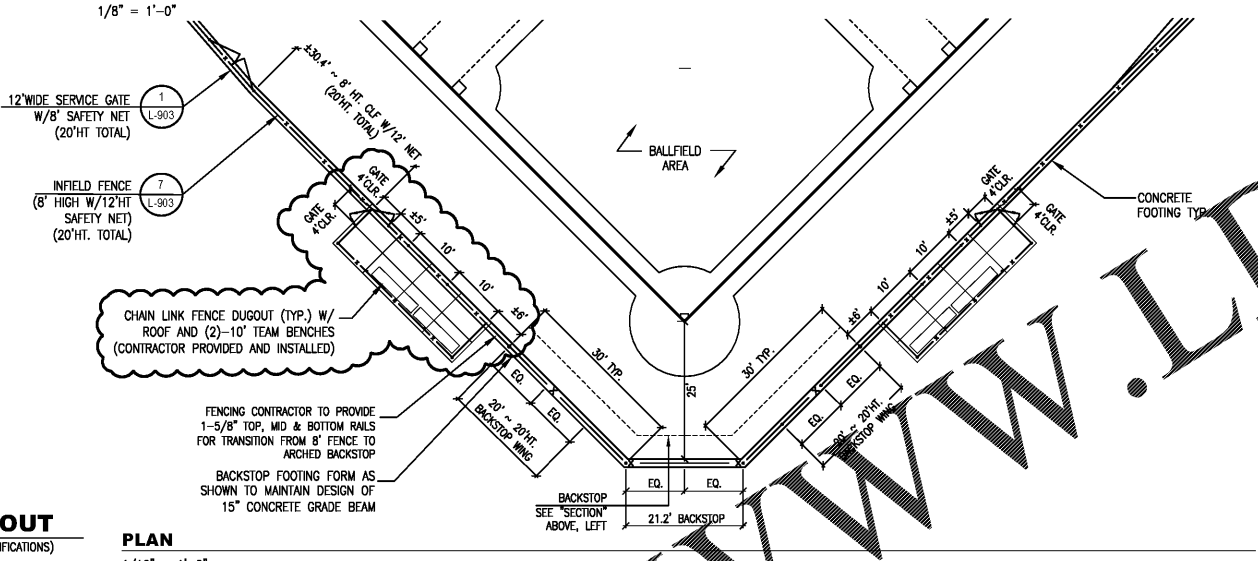
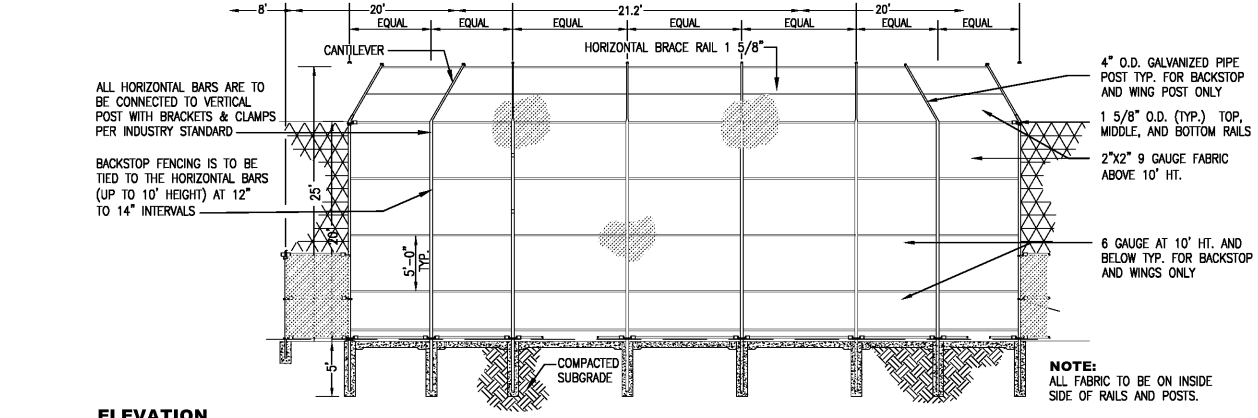
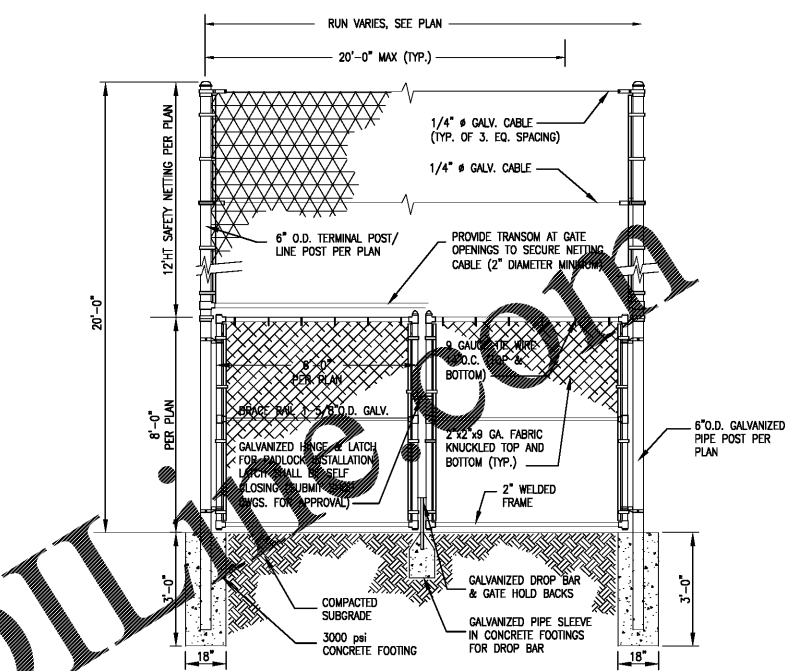


NOTE:
FENCING CONTRACTOR IS RESPONSIBLE FOR ALL HARDWARE FITTINGS, FASTENERS, TENSION WIRE AND BRACKETS REQUIRED TO SECURE BACKSTOP TOGETHER. SUBMIT SHOP DRAWINGS SHOWING FABRIC CUTS, TENSION WIRE AND ALL FITTINGS FOR APPROVAL.

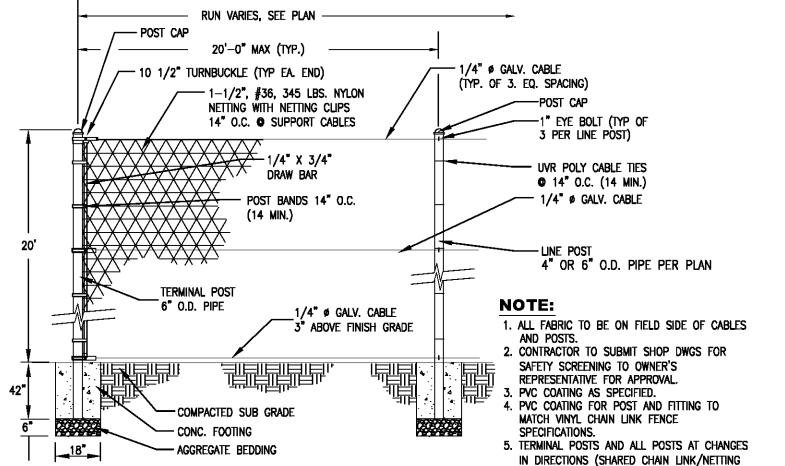


4 BACKSTOP DETAILS/ TEAM AREA LAYOUT
NTS
ALL CHAIN LINK FENCING TO BE BLACK, VINYL COATED CHAIN LINK (SEE SPECIFICATIONS)

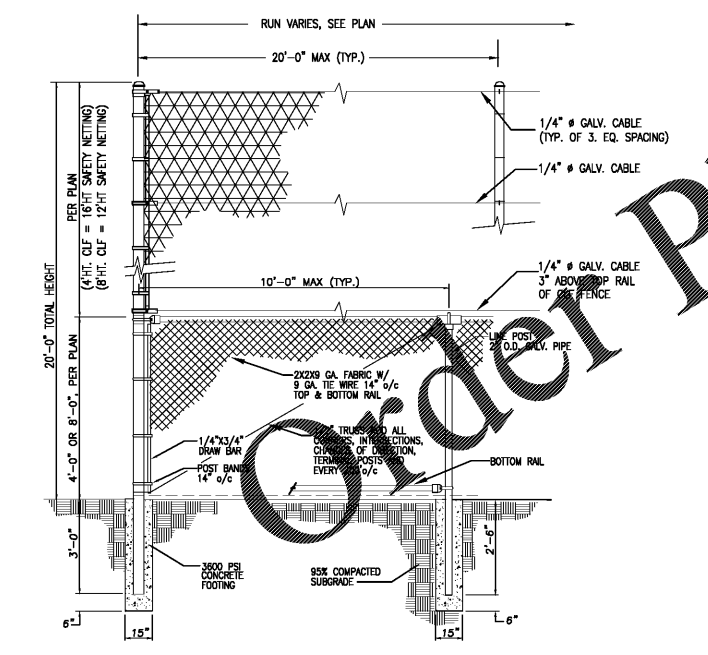
PLAN
1/16" = 1'-0"



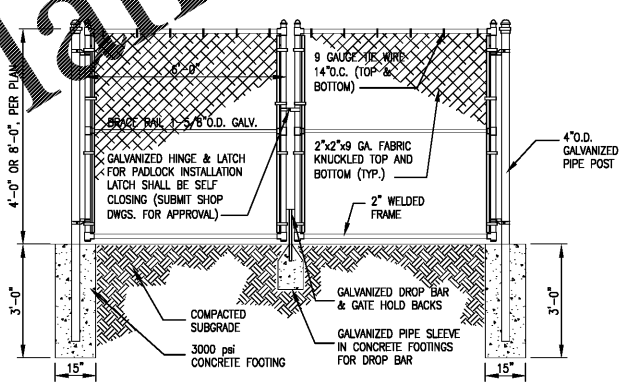
1 12' WIDE SERVICE GATE AND SAFETY NET
NTS



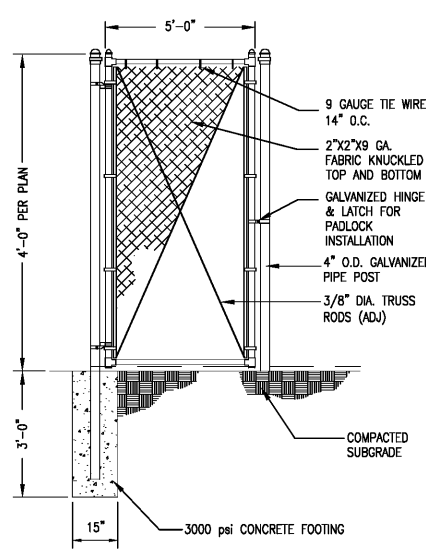
2 20' SAFETY NET
NTS
(VINYL COATED POSTS AND FITTINGS)



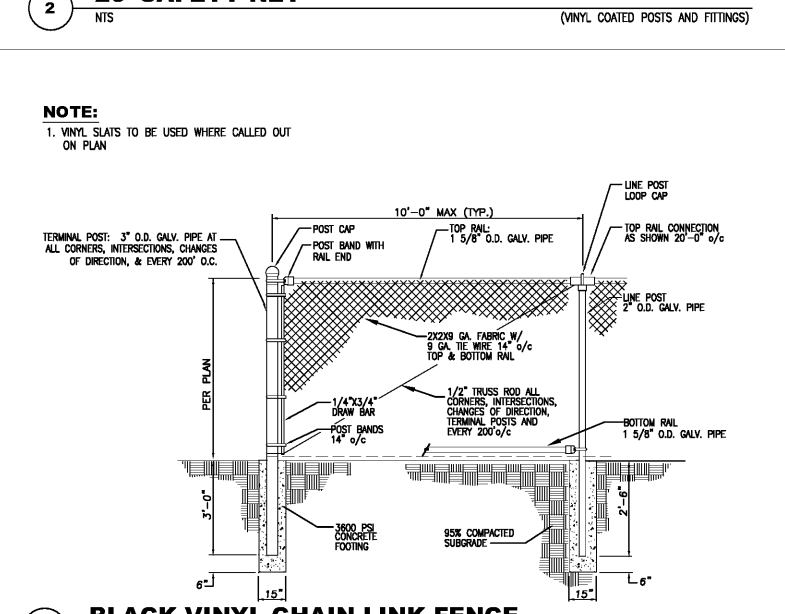
7 SAFETY NETTING (OVER CHAINLINK)
NTS
(VINYL COATED POSTS AND FITTINGS)



6 12' WIDE SERVICE GATE
NTS



5 5' WIDE GATE
NTS



3 BLACK VINYL CHAIN LINK FENCE
NTS