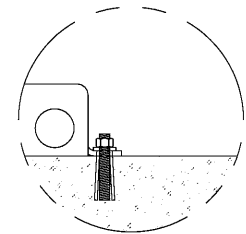


PUMP STATION SPECIFICATIONS:
 NAME: HEATH SPRINGS SOCCER COMPLEX
 STATION TOTAL PERFORMANCE: 30 GPM @ 65 PSI
 DYNAMIC INLET PRESSURE: 45 PSI (AFTER RPZ)
 BOOST PRESSURE: 25 PSI
 REGULATED DISCHARGE PRESSURE: 70 PSI
 PUMP HORSEPOWER:
 PUMP NO.1: 3/4 HP (3600RPM)
 CHECK VALVE SIZES:
 PUMP NO.1: 2"
 ISOLATION VALVE SIZES:
 DISCHARGE ISOLATION VALVE SIZE: 2"
 DISCHARGE MANIFOLD SIZE: 2"

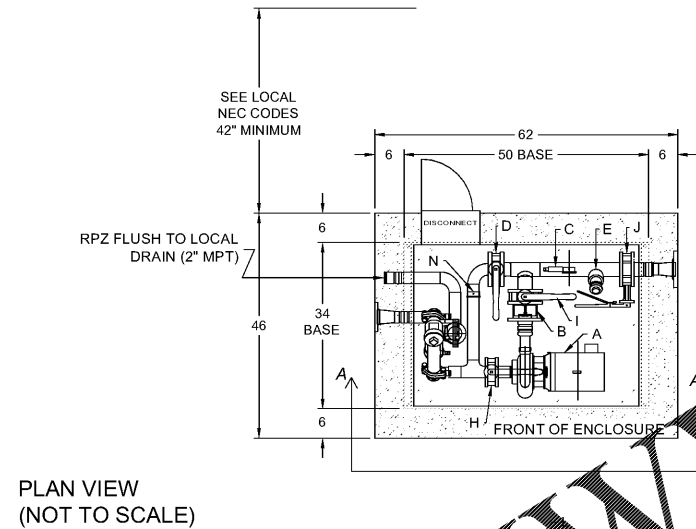
POWER REQUIREMENTS: 208V, 3PH, 60HZ, 5.0 FLA (EST.)

STATION COMPONENTS:

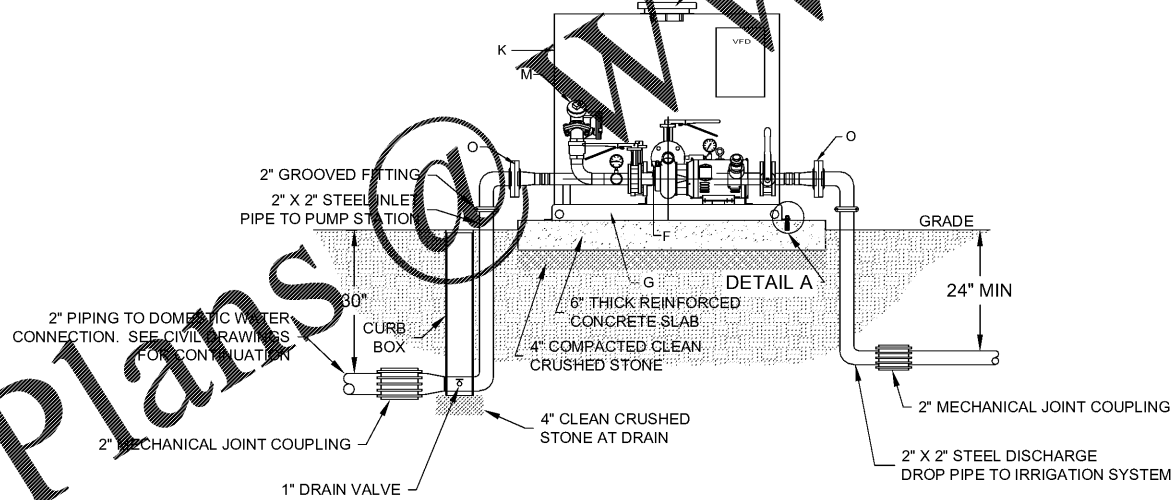
- A PUMP AND MOTOR
- B CHECK VALVE
- C PRESSURE TRANSDUCER WITH GAUGE
- D BY-PASS VALVE
- E FLOW SENSOR
- F TEMP SENSOR
- G STAINLESS STEEL BASE (UNPAINTED)
- H PUMP INTAKE ISOLATION VALVE
- I PUMP DISCHARGE ISOLATION VALVE
- J STATION DISCHARGE ISOLATION VALVE
- K MARINE GRADE ALUMINUM ENCLOSURE (UNPAINTED)
- L STATION FAN HOOD MOUNTED
- M RPZ FEBCO MODEL# 825YA - 1.5" (AND AS APPROVED BY LOCAL WATER DEPARTMENT)
- N PRESSURE GAUGE LIQUID FILLED
- O 2" FLANGE CONNECTION



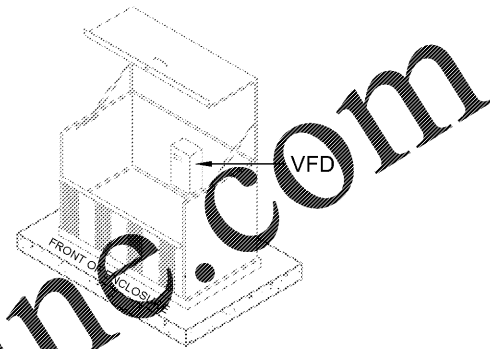
DETAIL "A"
 CONCRETE ANCHOR
 TYPICAL (4) LOCATIONS



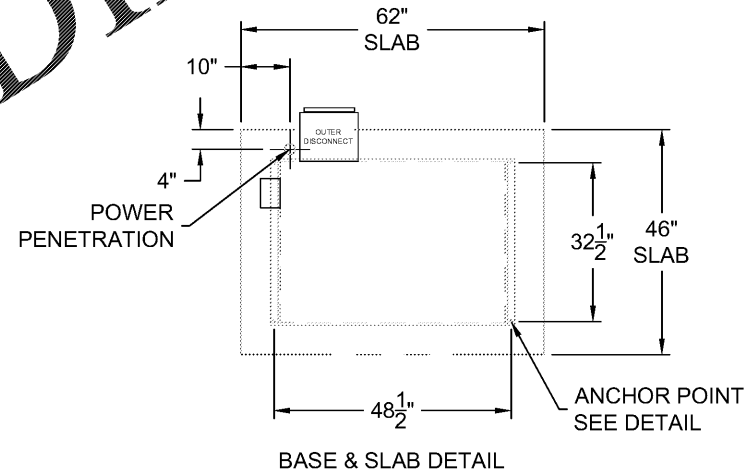
PLAN VIEW
 (NOT TO SCALE)



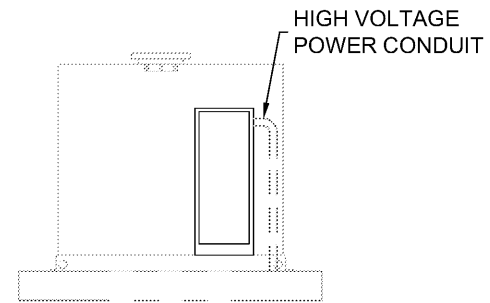
SECTION VIEW A-A
 (NOT TO SCALE)



ENCLOSURE
 ISOMETRIC VIEW

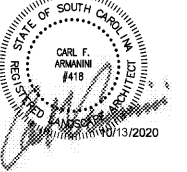


BASE & SLAB DETAIL



BACK OF ENCLOSURE

Order Plans



Revisions:

Proj. No.: 80703
 Date: 10/13/2020

Sheet Name:
 Irrigation Booster
 Pump Details



Providing innovative design solutions for irrigation worldwide.

20 Merritt Parkway
 Nashua, NH 03062
 (603) 433-8412

112 S. Old Statesville Rd., Suite 104
 Huntersville, NC 28078
 (704) 843-3668

www.irrigationconsulting.com