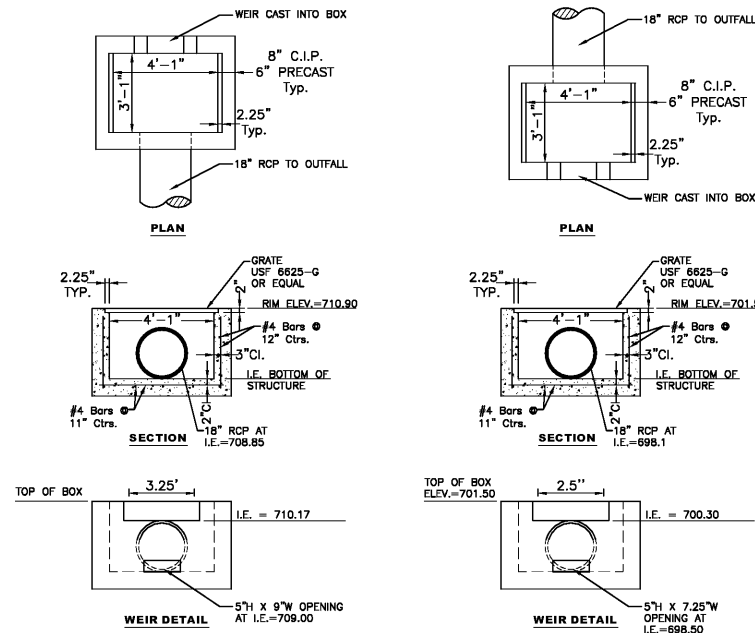
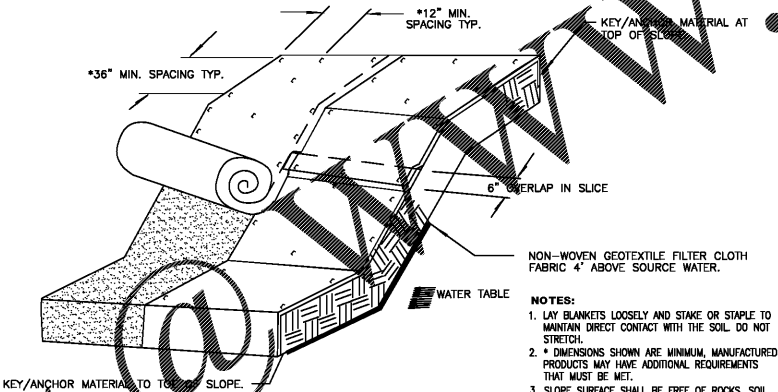


7 **CONCRETE APRON DETAIL**  
SCALE: NTS



4 **CONTROL STRUCTURES**  
NTS

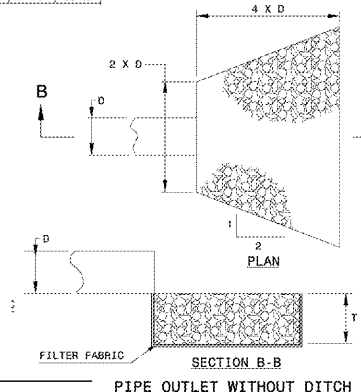


5 **EMBANKMENT MATTING DETAIL**  
SCALE: NTS

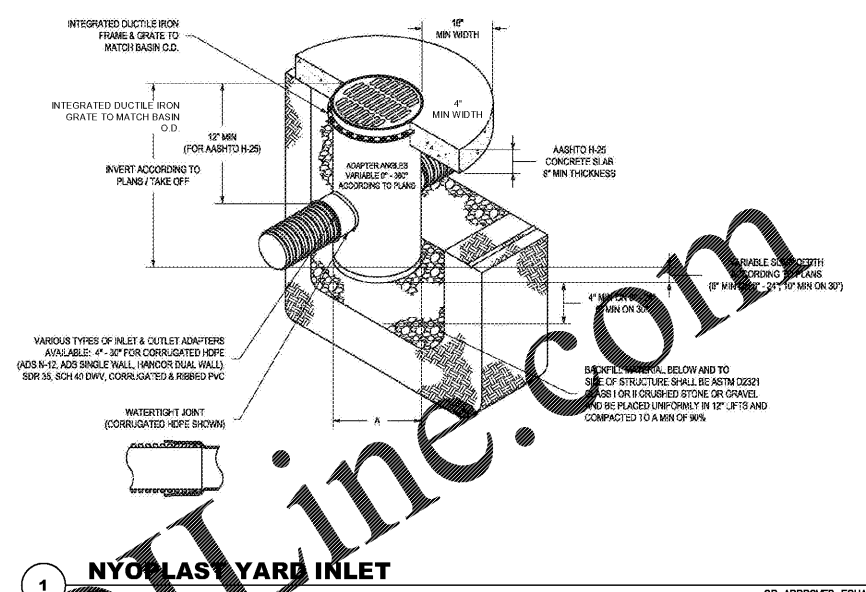
D	OUTLET W/ DITCH				OUTLET W/O DITCH				
	CLASS B RIP RAP	CLASS I RIP RAP	CLASS B RIP RAP	CLASS I RIP RAP	CLASS B RIP RAP	CLASS I RIP RAP	CLASS B RIP RAP	CLASS I RIP RAP	
300	1.8	3.3	4.2	1.8	4.2	0.9	3.3	1.7	0.9
375	1.8	5.9	5.9	2.7	5.9	0.9	4.2	2.5	1.8
450	2.7	8.4	7.5	3.6	8.4	1.8	5.9	3.3	1.8
600	4.5	11.7	12.5	6.4	12.5	2.7	9.2	5.9	3.6
750	7.3	17.6	17.6	10.0	19.4	4.5	13.4	9.2	8.4
900	10.0	23.4	24.2	13.6	25.1	6.4	18.4	13.4	13.2
1050	13.6	30.9	32.6	18.1	32.6	9.1	23.4	18.4	11.8
1200	-	41.0	23.6	41.8	-	23.4	15.4	31.8	-
1350	-	50.2	29.9	51.8	-	30.1	19.1	39.3	-
1500	-	61.0	36.3	62.7	-	36.6	23.6	46.6	-
1650	-	72.7	43.6	74.4	-	43.2	29.0	55.0	-
1800	-	85.3	51.7	87.0	-	53.5	34.5	65.2	-

NOTE: FOR CALCULATION PURPOSES  
CLASS B RIP RAP = 1.6 TONS/ft<sup>3</sup>  
CLASS I RIP RAP = 1.7 TONS/ft<sup>3</sup>

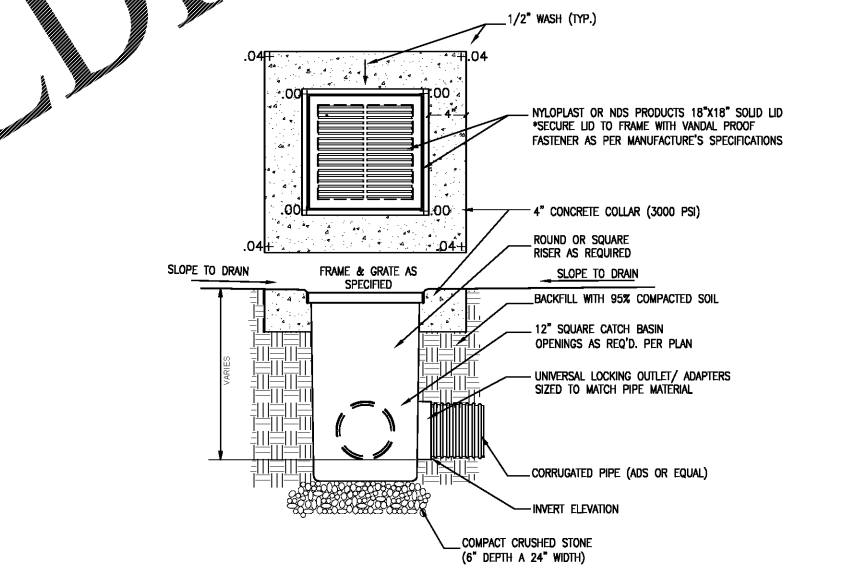
NOTE:  
DETAIL / DIMENSIONS SHOWN  
ARE MINIMUM STANDARDS.  
SEE PLANS FOR ACTUAL  
DIMENSIONS OF RIP RAP APRONS.



6 **RIP RAP APRON**  
NTS

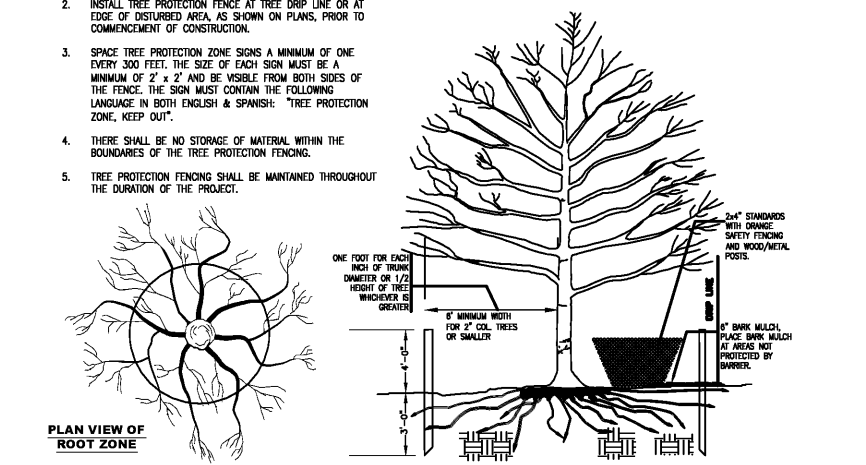


1 **NYOPLAST YARD INLET**  
OR APPROVED EQUAL



2 **18"X18" DRAIN INLET (PLAZA & PAVED AREAS PER PLAN)**  
NTS

- NOTES:
- ALL PLANTS DESIGNATED TO BE SAVED SHALL BE PROTECTED BY FENCING, AS ILLUSTRATED.
  - INSTALL TREE PROTECTION FENCE AT TREE DRIP LINE OR AT EDGE OF DISTURBED AREA, AS SHOWN ON PLANS, PRIOR TO COMMENCEMENT OF CONSTRUCTION.
  - SPACE TREE PROTECTION ZONE SIGNS A MINIMUM OF ONE EVERY 300 FEET. THE SIZE OF EACH SIGN MUST BE A MINIMUM OF 2' x 2' AND BE VISIBLE FROM BOTH SIDES OF THE FENCE. THE SIGN MUST CONTAIN THE FOLLOWING LANGUAGE IN BOTH ENGLISH & SPANISH: "TREE PROTECTION ZONE, KEEP OUT".
  - THERE SHALL BE NO STORAGE OF MATERIAL WITHIN THE BOUNDARIES OF THE TREE PROTECTION FENCING.
  - TREE PROTECTION FENCING SHALL BE MAINTAINED THROUGHOUT THE DURATION OF THE PROJECT.



3 **TREE PROTECTION**  
NTS

