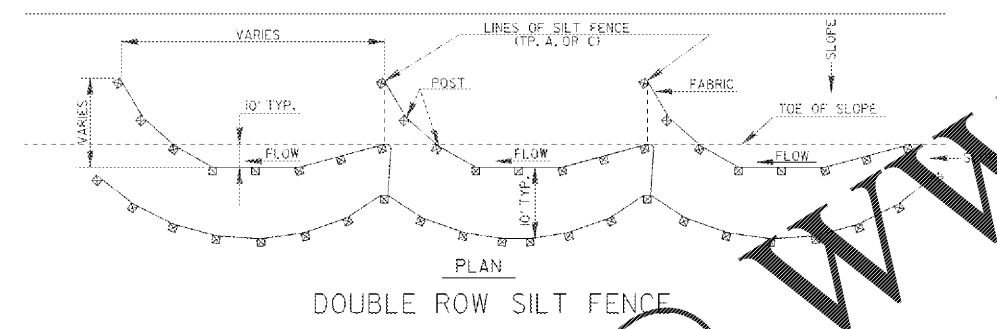
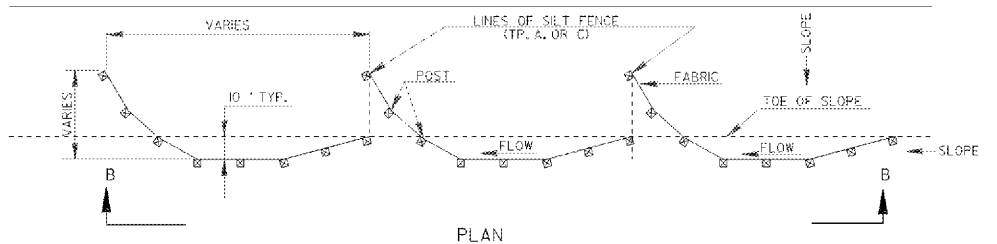
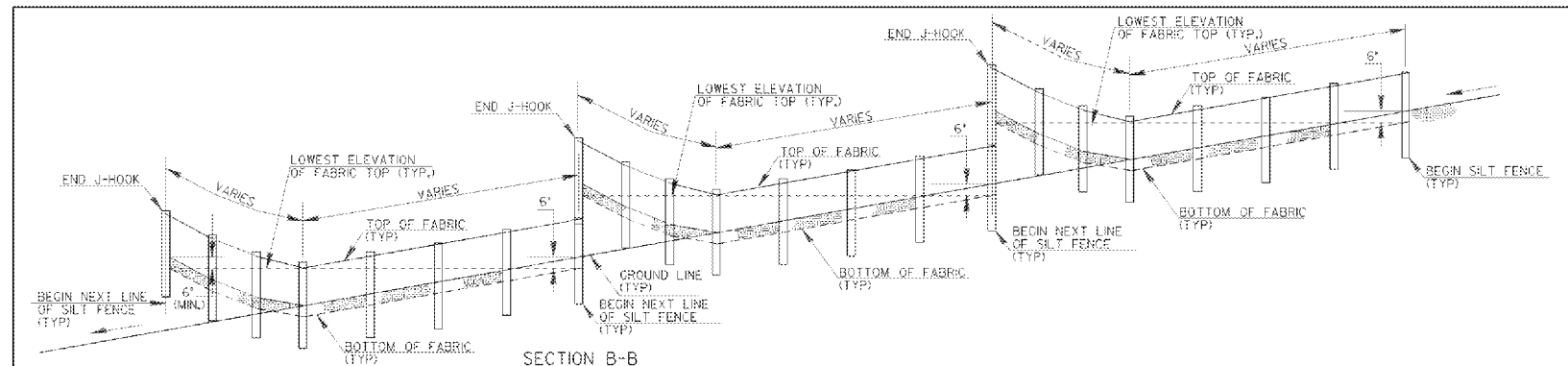
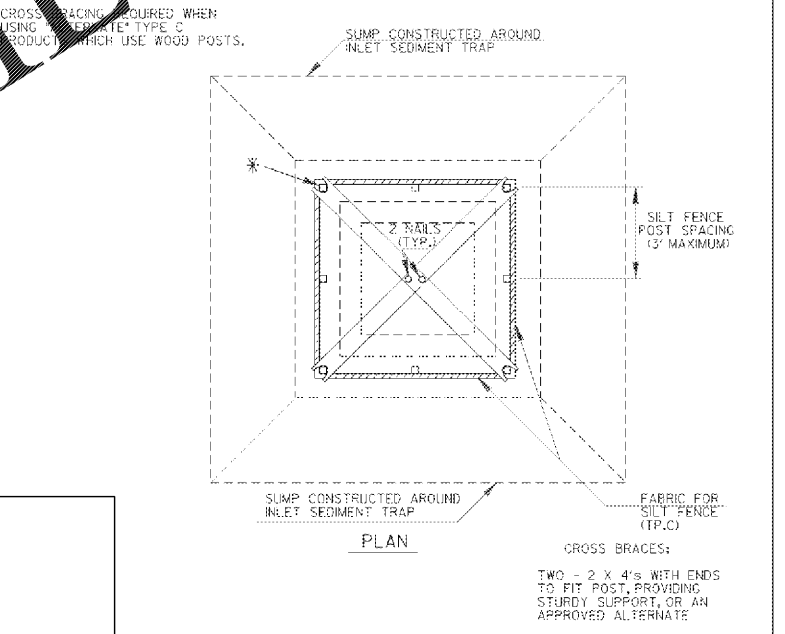
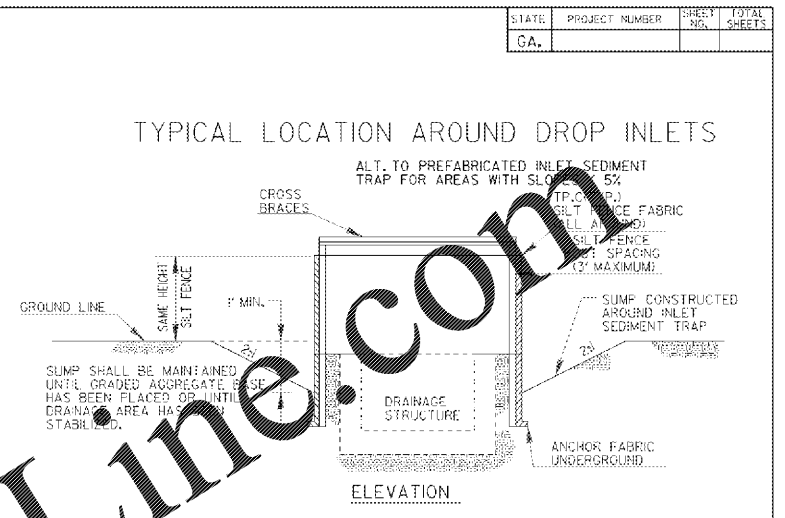


1/18/2011 2:06:13 PM 1/18/2011-05:51:00:GPLOT-V81-PO.tbl gplotborder-V81-PO.tbl gplotborder-V81-PO.tbl

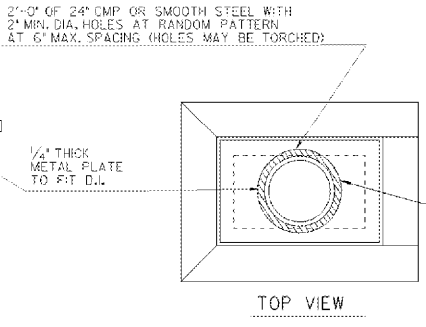
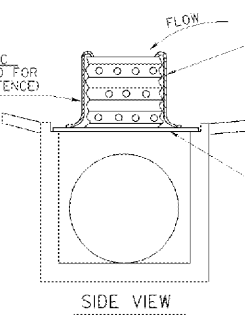
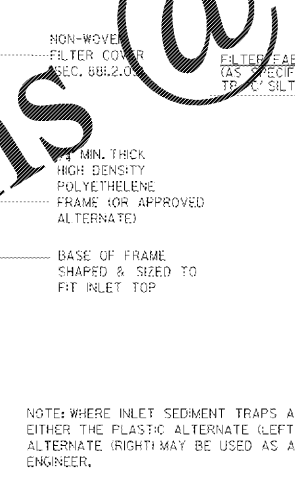
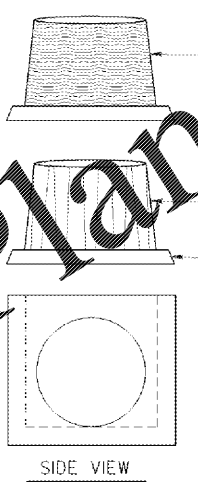


TYPICAL J HOOK SPACING		
SLOPE PERCENT	TYPE OF SILT FENCE	MINIMUM SPACING (FEET)
1% TO 2%	TYPE A	100' ±
2% TO 3%	TYPE A	50' ±
3% TO 4%	TYPE C	50' ±
4% TO 5%	TYPE C	25' ±

NOTE:
IF THE GRADE BETWEEN DITCHES IS FLAT, THE SILT FENCE SHOULD BE PLACED ACROSS THE DITCH.
TEMPORARY SILT FENCE SHALL NOT BE PLACED WITHIN 5 FEET OF STRUCTURES.



- NOTES:
THE DRAINAGE AREA ENTERING THE INLET SEDIMENT TRAP SHALL BE NO GREATER THAN ONE ACRE.
- TYPICAL CONSTRUCTION SEQUENCE FOR INLET SEDIMENT TRAP ALTERNATE
1. EXCAVATE APPROXIMATELY 4" TO 6" BELOW THE TOP OF THE INLET STRUCTURE.
 2. PLACE THE FRAME ONTO THE INLET STRUCTURE, ENSURING PROPER SEATING OF FRAME TO STRUCTURE.
 3. SLIDE THE FILTER OVER THE FRAME.
 4. FILL THE FILTER POCKETS WITH SOIL, #57 GRAVEL, OR EQUIVALENT. THE FILTER POCKETS SHOULD BE COMPLETELY FILLED TO ENSURE A GOOD SEAL BETWEEN THE GROUND AND INLET STRUCTURE.
 5. BACK FILL AROUND THE FRAME AND FILTER ASSEMBLY. NOT REQUIRED TO COMPLETE BACK FILL, HOWEVER, BACK FILLING MAY BE NECESSARY TO COMPLETE EXCAVATION REQUIREMENTS AT THE SITE.
- NOTE:
INLET SEDIMENT TRAP ALTERNATE SHALL BE AS APPROVED BY THE CALIFORNIA OFFICE OF MATERIALS & RESEARCH. SEE SPECIFICATIONS AND DETAILS SHOWN PER THE MANUFACTURER'S REQUIREMENTS.



NOTE: INLET SEDIMENT TRAP AND INLET TO BE BUILT CONTINUOUS WITH PIPE

NOTE: SEE SEPARATE DETAILS FOR SILT FENCE AROUND DROP INLETS.

NOTE: PAYMENT AS INLET SEDIMENT TRAP PER EACH

INLET SEDIMENT TRAP - FOR DROP INLETS

DEPARTMENT OF TRANSPORTATION
STATE OF GEORGIA
CONSTRUCTION DETAILS
TEMPORARY SILT FENCE
J-HOOK, INLET SEDIMENT TRAPS

NO SCALE
JANUARY 2011
NUMBER D-24C
SHEET 3 OF 40

INFRASTRUCTURE CONSULTING & ENGINEERING
4940 PEACHTREE INDUSTRIAL BLVD., SUITE 310
NORCROSS, GEORGIA 30071

NOT TO SCALE

REVISION DATES			
NO.	DATE	DESCRIPTION	BY

**EROSION CONTROL CONSTRUCTION DETAILS
SR 18 BRIDGE REPLACEMENT @ LONG CAME CREEK
TROUP COUNTY**

CHECKED:	DATE:	DRAWING No.
BACKCHECKED:	DATE:	56-0004
CORRECTED:	DATE:	
VERIFIED:	DATE:	