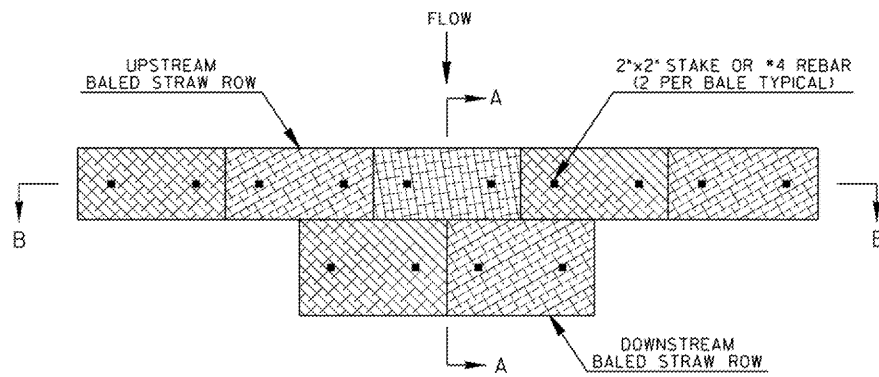
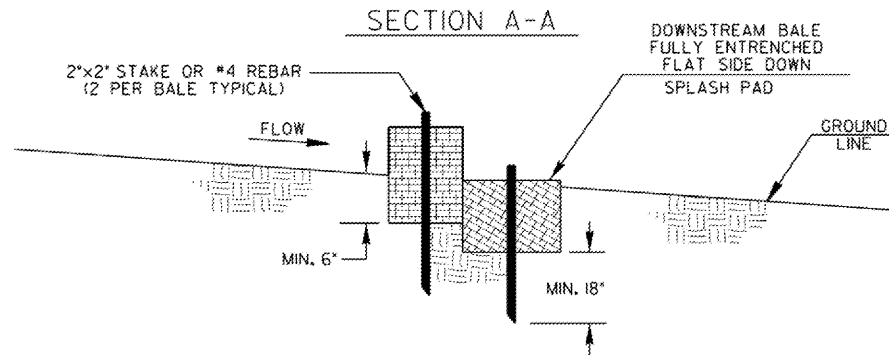


BALED STRAW CHECK DAM

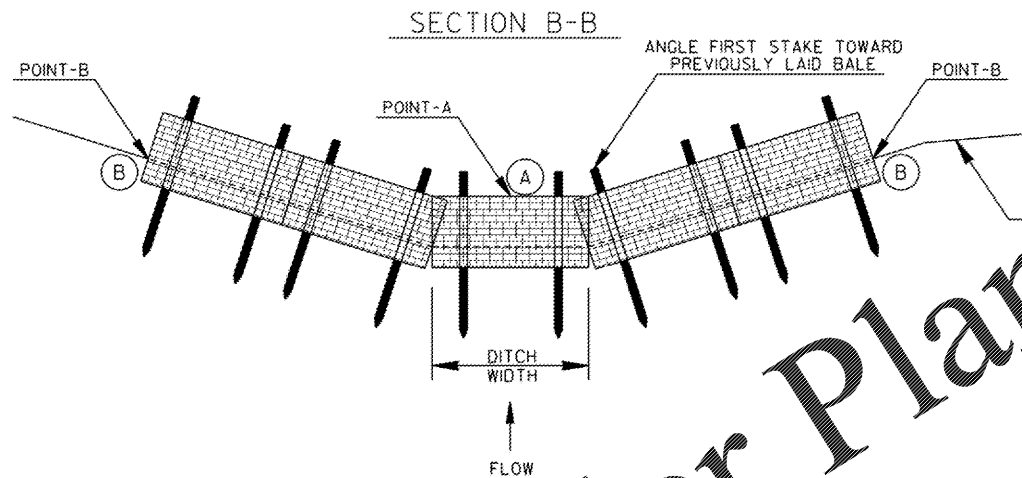
PLAN VIEW



SECTION A-A



SECTION B-B



BALED STRAW CHECK DAM GENERAL NOTES:

1. BALED STRAW DIMENSIONS MAY VARY. ASSUME APPROXIMATE DIMENSIONS OF 14"Wx18"Hx36"L FOR A TWO STRINGER AND 16"Wx24"Hx48"L FOR A THREE STRINGER. BALES SHOULD BE BOUND WITH WIRE OR NYLON INSTEAD OF TWINE.
2. BALES SHOULD BE PLACED IN ROWS WITH BALE ENDS TIGHTLY ABUTTING THE ADJACENT BALES. THE TOP OF THE UPSTREAM BALES AT THE CENTER OF CHANNEL SHOULD BE LEVEL AND SET AT THE SAME ELEVATION. THE DOWNSTREAM BALES SHOULD BE ENTRENCHED EVEN WITH THE CHANNEL BOTTOM.
3. THE GROUND LINE AT POINT-B SHALL ALWAYS BE AT MINIMUM OF 6 INCHES ABOVE POINT-A.
4. REMOVE SEDIMENT ONCE THE ACCUMULATED HEIGHT HAS REACHED HALF THE STORAGE HEIGHT.
5. INSTALLATION MAY BE ADJUSTED SLIGHTLY TO MEET FIELD CONDITIONS; HOWEVER, SPLASH PAD IS REQUIRED.

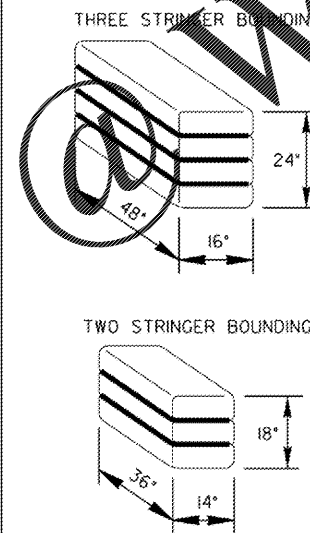
PAY ITEMS:

- 163-0529 CONSTRUCT & REMOVE TEMPORARY SEDIMENT BARRIER OR BALED STRAW CHECK DAM (LF)
- 165-0041 MAINTENANCE OF CHECK DAMS - ALL TYPES (LF)

SPECIAL NOTES:

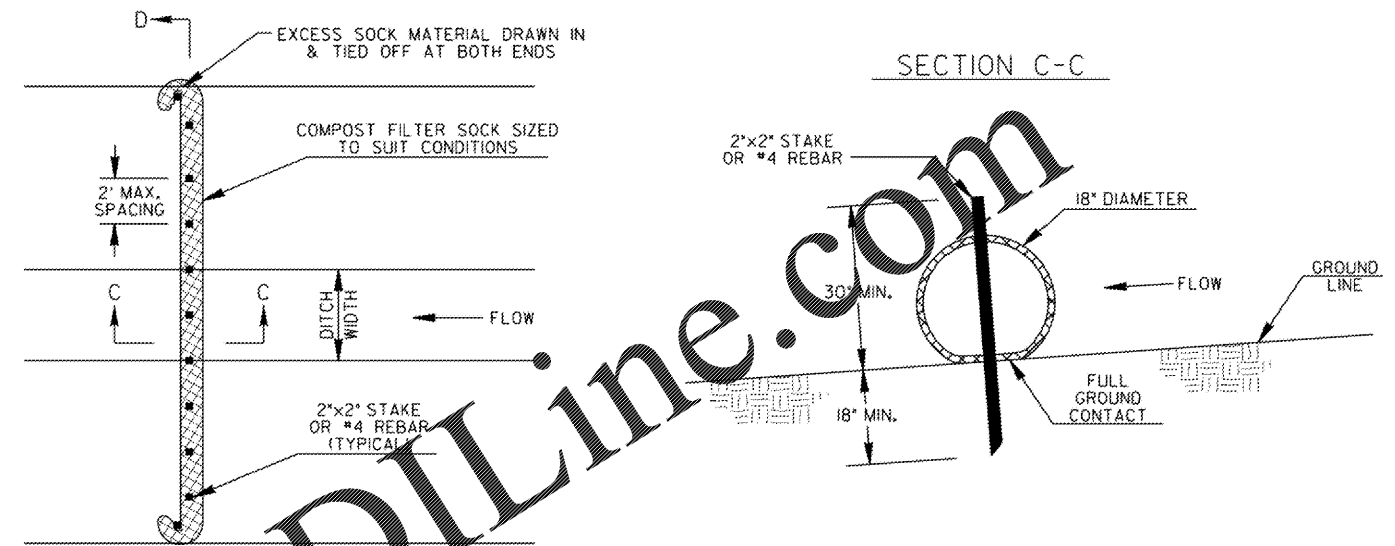
1. BALED STRAW AND COMPOST FILTER SOCK CHECK DAMS MAY BE USED FOR FLOWS UP TO 2.0 CFS OR DRAINAGE AREAS UP TO 1.0 ACRE. IF THESE ITEMS ARE USED IN DRAINAGE AREAS GREATER THAN 1.0 ACRE, FLOWS GREATER THAN 2.0 CFS, OR WITHOUT A SEDIMENT BASIN, A MINIMUM OF ONE ROCK FILTER DAM AT THE DOWNSTREAM DISCHARGE POINT SHALL BE USED IN CONJUNCTION WITH BALED STRAW OR COMPOST FILTER SOCK CHECK DAMS.
2. BALED STRAW AND COMPOST FILTER SOCK CHECK DAMS SHALL NOT BE PLACED WITHIN FLOWING STREAMS OR IN A TIDAL AREA BELOW HIGH TIDE.

APPROXIMATE BALED STRAW DIMENSIONS (SEE NOTE # 1)



COMPOST FILTER SOCK CHECK DAM

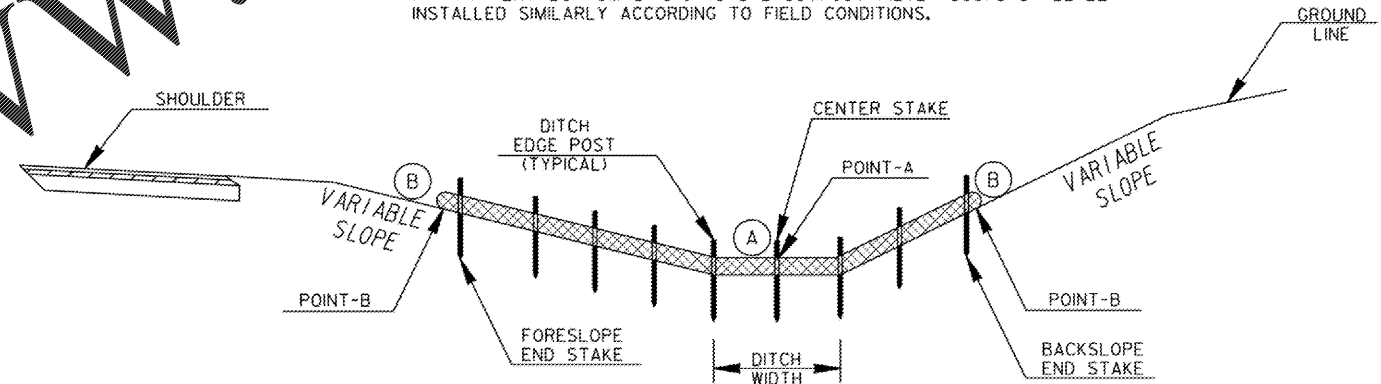
PLAN VIEW



SECTION C-C

SECTION D-D

NOTE: CROSS-SECTION SHOWN IS AN EXAMPLE OF A TYPICAL CUT SECTION WITH A 4-FT FLAT BOTTOM DITCH. ACTUAL COMPOST FILTER SOCKS SHALL BE INSTALLED SIMILARLY ACCORDING TO FIELD CONDITIONS.



COMPOST FILTER SOCK CHECK DAM GENERAL NOTES:

1. THE CONTRACTOR MAY ELECT TO USE 18" DIAMETER COMPOST FILTER SOCK CHECK DAMS IN LIEU OF BALED STRAW CHECK DAMS. NO ADDITIONAL PAYMENT WILL BE MADE FOR THE CONSTRUCTION, REMOVAL, OR MAINTENANCE OF COMPOST FILTER SOCK CHECK DAMS.
2. COMPOST FILTER MEDIA SHALL MEET THE SPECIFICATIONS IN THE LATEST EDITION OF THE "MANUAL FOR EROSION AND SEDIMENT CONTROL IN GEORGIA". THE CONTRACTOR SHALL PROVIDE VERIFICATION OF MEETING SPECIFICATIONS IF REQUESTED.
3. THE GROUND LINE AT POINT-B SHALL BE A MINIMUM OF 6 INCHES ABOVE POINT-A.
4. ENSURE COMPOST FILTER SOCK HAS FULL CONTACT WITH GROUND SURFACE. PLACE ONE STAKE AT THE CENTER OF CHANNEL, AT THE TOE OF FORESLOPE AND BACKSLOPE, AND AT THE ENDS OF DEVICE. STAKES SHALL HAVE A MAXIMUM SPACING OF 2 FEET.
5. REMOVE SEDIMENT ONCE THE ACCUMULATED HEIGHT HAS REACHED HALF THE STORAGE HEIGHT.

DATE		DEPARTMENT OF TRANSPORTATION STATE OF GEORGIA	
REVISION		CONSTRUCTION DETAILS	
		BALED STRAW & COMPOST FILTER SOCK CHECK DAMS FOR EROSION CONTROL	
		NO SCALE	4-22-2016
DESIGNED	BY	DATE	NUMBER
DRAWN	BY		D-52
TRACED	BY		
CHECKED	BY		