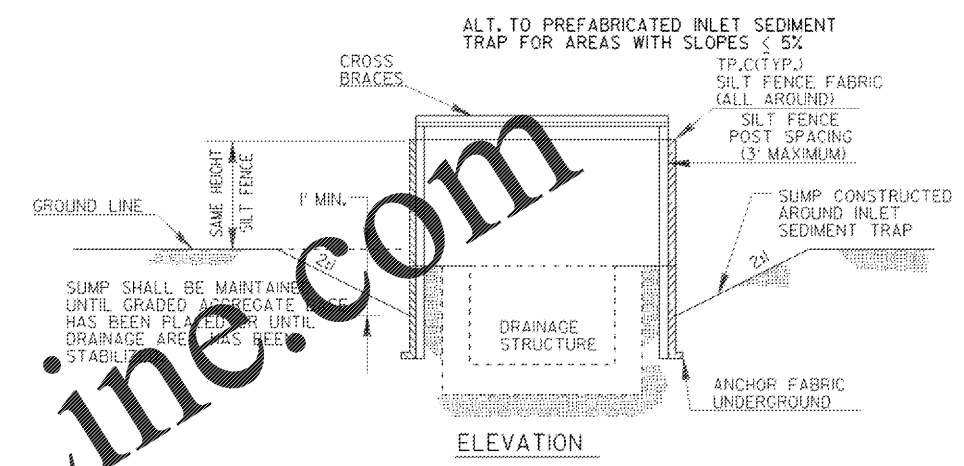


SLOPE PERCENT	TYPE OF SILT FENCE	MINIMUM SPACING (FEET)
1% TO 2%	TYPE A	100' ±
2% TO 3%	TYPE A	50' ±
3% TO 4%	TYPE C	25' ±
4% TO 5%	TYPE C	25' ±

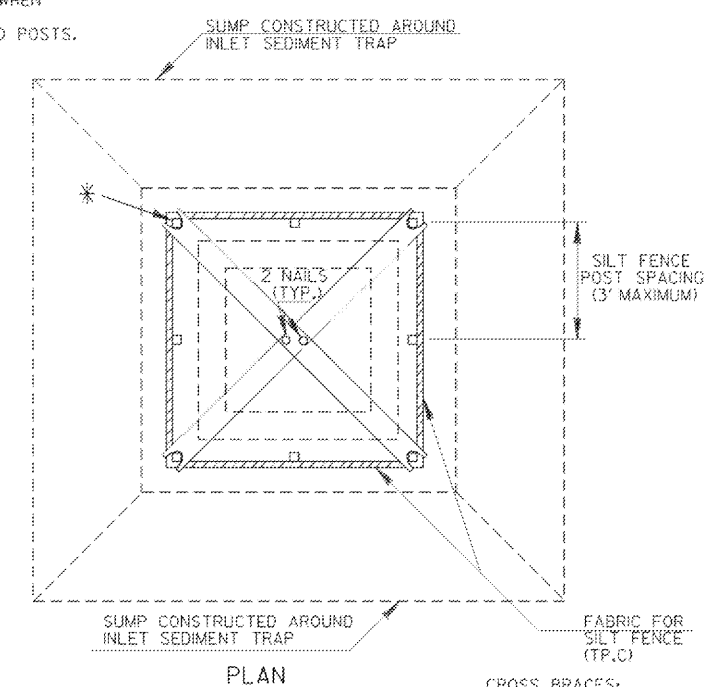
NOTE:
 1. IF THE SLOPE IS BETWEEN 0 TO 1 PERCENT, THE SILT FENCE SHALL BE PLACED ACROSS THE DITCH.
 2. TEMPORARY SILT FENCE SHALL NOT BE PLACED WITHIN STATE WATERS.

TYPICAL LOCATION AROUND DROP INLETS



SUMP SHALL BE MAINTAINED UNTIL GRADED APPROPRIATE HAS BEEN PLACED OR UNTIL DRAINAGE AREA HAS BEEN STABILIZED.

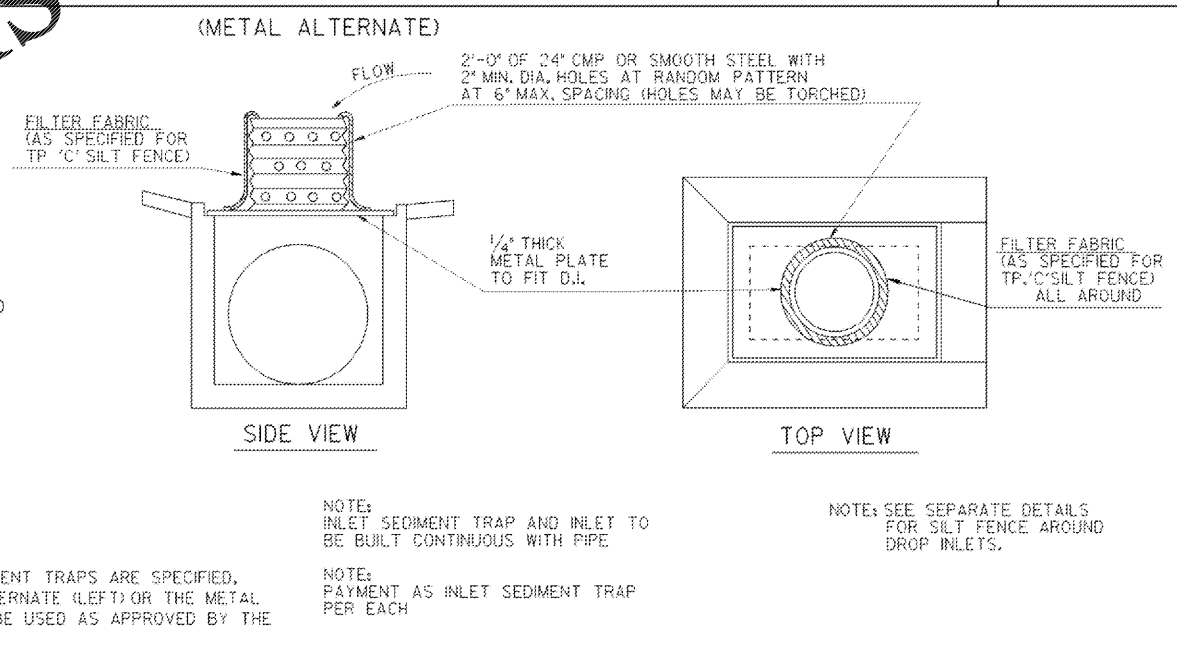
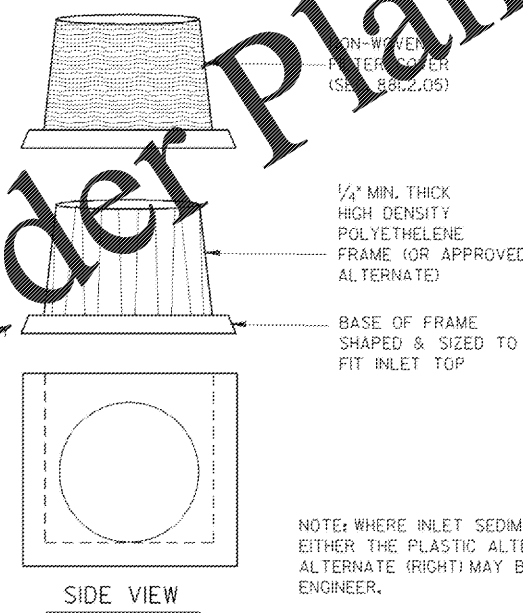
* CROSS BRACING REQUIRED WHEN USING "ALTERNATE" TYPE C PRODUCTS WHICH USE WOOD POSTS.



CROSS BRACES:
 TWO - 2 x 4's WITH ENDS TO FIT POST, PROVIDING STURDY SUPPORT, OR AN APPROVED ALTERNATE.

NOTE:
 PAYMENT AS INLET SEDIMENT TRAP PER EACH.
 NOTE:
 SEE SEPARATE SHEET ENTITLED "TEMPORARY SILT FENCE DETAILS" FOR SILT FENCE ERECTION DETAILS.

- NOTE:
 THE DRAINAGE AREA ENTERING THE INLET SEDIMENT TRAP SHALL BE NO GREATER THAN ONE ACRE.
- TYPICAL CONSTRUCTION SEQUENCE FOR INLET SEDIMENT TRAP ALTERNATE
1. EXCAVATE APPROXIMATELY 4" TO 6" BELOW THE TOP OF THE INLET STRUCTURE.
 2. PLACE THE FRAME ONTO THE INLET STRUCTURE, ENSURING PROPER SEATING OF FRAME TO STRUCTURE.
 3. SLIDE THE FILTER OVER THE FRAME.
 4. FILL THE FILTER POCKETS WITH SOIL, 1/2" GRAVEL OR EQUIVALENT. THE FILTER POCKETS SHOULD BE COMPLETELY FILLED TO ENSURE A GOOD SEAL BETWEEN THE GROUND AND INLET STRUCTURE.
 5. BACK FILL AROUND THE FRAME AND FILTER ASSEMBLY IS NOT REQUIRED TO COMPLETE INSTALLATION; HOWEVER, BACK FILLING MAY BE NECESSARY TO COMPLETE EXCAVATION REQUIREMENTS FOR THE SITE.
- NOTE:
 INLET SEDIMENT TRAP ALTERNATE SHALL BE AS APPROVED BY THE GA. D.O.T. OFFICE OF MATERIALS & RESEARCH. DETAILS & SPECIFICATIONS NOT SHOWN ARE PER THE MANUFACTURER'S REQUIREMENTS.



NOTE:
 INLET SEDIMENT TRAP AND INLET TO BE BUILT CONTINUOUS WITH PIPE

NOTE:
 SEE SEPARATE DETAILS FOR SILT FENCE AROUND DROP INLETS.

NOTE:
 PAYMENT AS INLET SEDIMENT TRAP PER EACH

NOTE:
 WHERE INLET SEDIMENT TRAPS ARE SPECIFIED, EITHER THE PLASTIC ALTERNATE (LEFT) OR THE METAL ALTERNATE (RIGHT) MAY BE USED AS APPROVED BY THE ENGINEER.

INLET SEDIMENT TRAP - FOR DROP INLETS

DATE		DEPARTMENT OF TRANSPORTATION STATE OF GEORGIA	
REVISION		CONSTRUCTION DETAILS TEMPORARY SILT FENCE J-HOOK, INLET SEDIMENT TRAPS	
BY		NO SCALE	JANUARY 2011
			NUMBER D-24C (SHEET 3 OF 4)