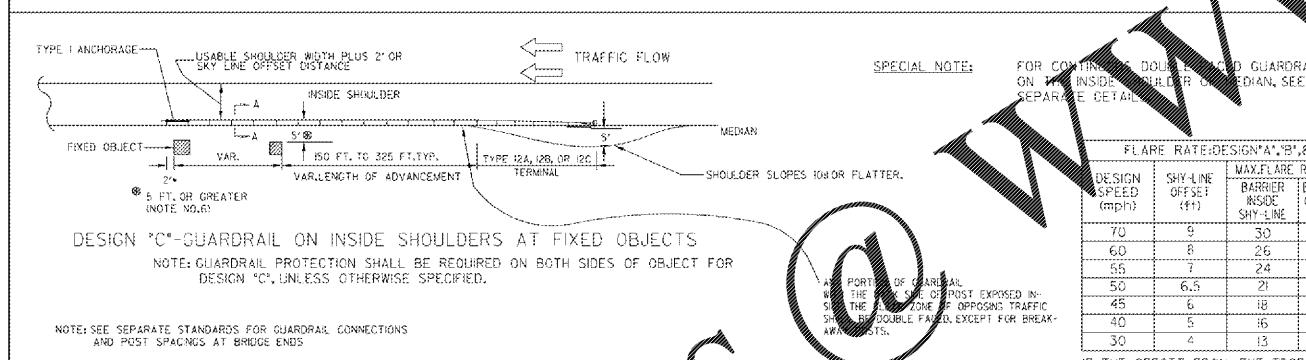
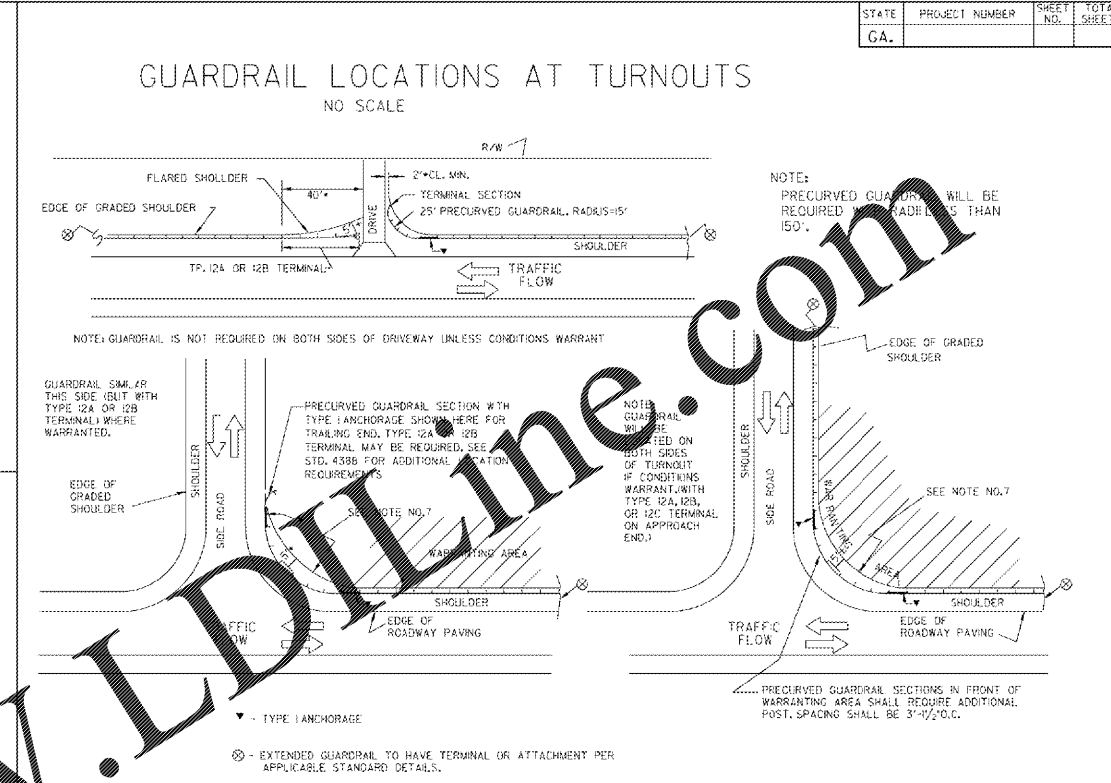
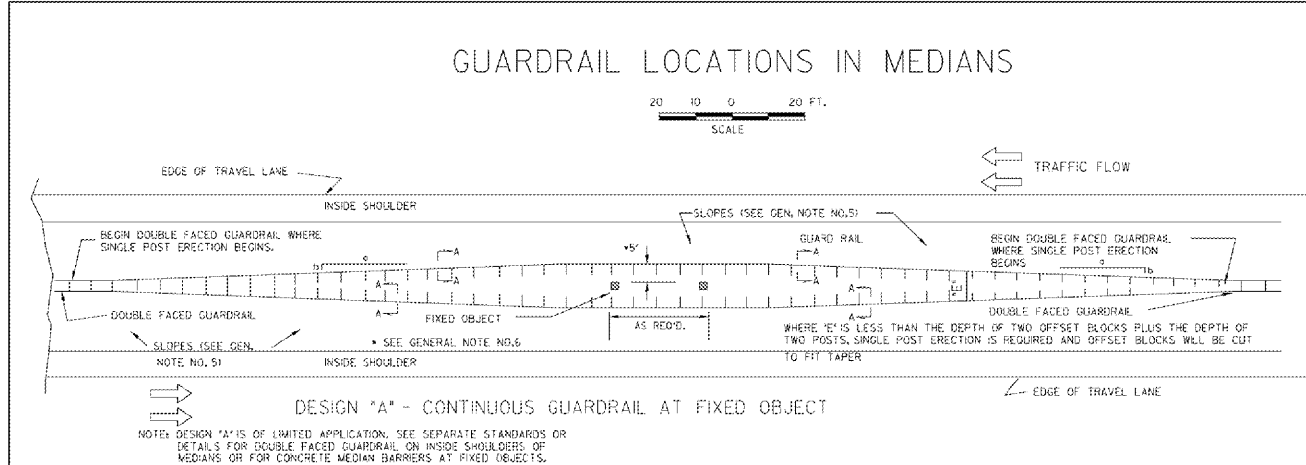


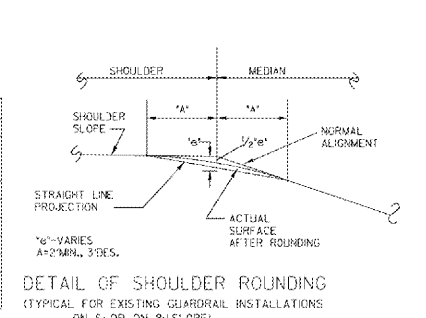
SR 18 BRIDGE REPLACEMENT @ LONG CREEK TROUP COUNTY



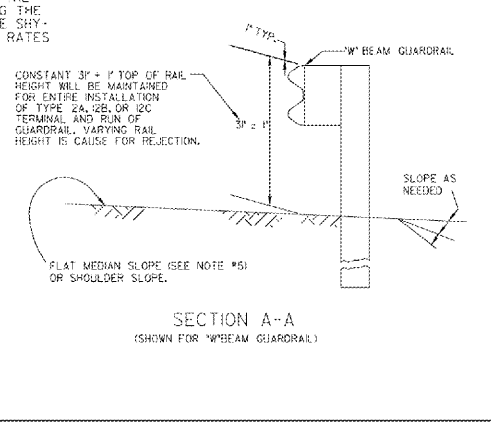
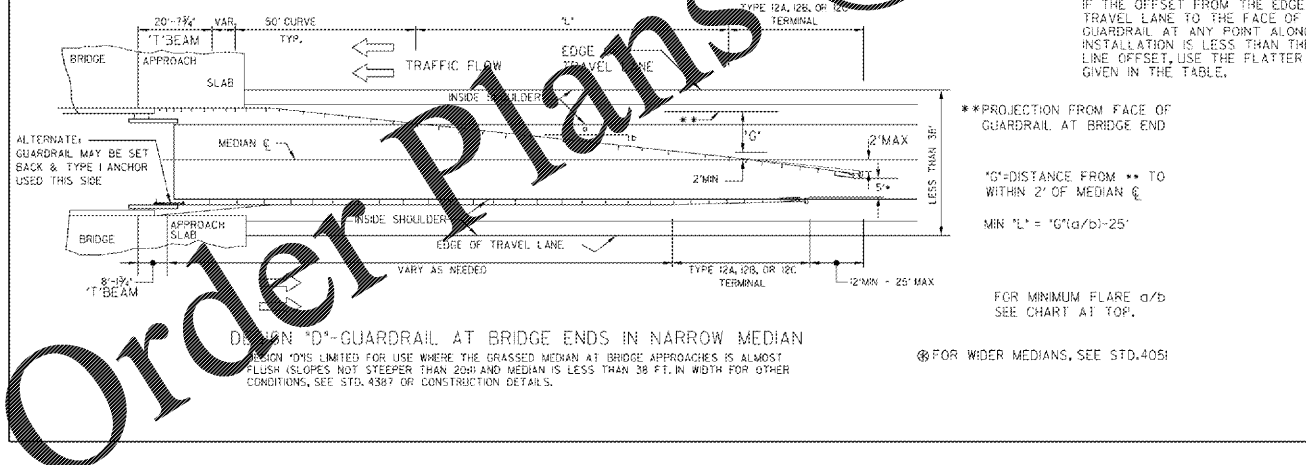
FLARE RATE-DESIGN "A", "B", & "D"

DESIGN SPEED (mph)	SHY-LINE OFFSET (ft)	MAX. FLARE RATE (d/b)	BARRIER AT ROAD SHOULDER SHY-LINE	BARRIER AT OR BEYOND SHY-LINE
70	9	30	15	
60	8	26	14	
55	7	24	12	
50	6.5	21	11	
45	6	18	10	
40	5	16	8	
30	4	13	7	

IF THE OFFSET FROM THE EDGE OF THE TRAVEL LANE TO THE FACE OF THE GUARDRAIL AT ANY POINT ALONG THE INSTALLATION IS LESS THAN THE SHY-LINE OFFSET, USE THE FLATTER RATES GIVEN IN THE TABLE.



- #### GENERAL NOTES:
- SPECIFICATIONS: GEORGIA STANDARD, CURRENT EDITION, AND SUPPLEMENTS THERETO.
 - FOR DETAILS OF GUARDRAIL HARDWARE, POST, AND OFFSET BLOCKS, SEE STANDARDS 4381 AND 4382.
 - FOR DETAILS OF GUARDRAIL TERMINALS AND ANCHORAGES, SEE SEPARATE STANDARDS, OR CONSTRUCTION DETAILS AS APPLICABLE.
 - FOR DETAILS OF DOUBLE FACED GUARDRAIL ATTACHED TO OR TERMINATED AT CONCRETE MEDIAN BARRIER, SEE STANDARD 4940.
 - NEGATIVE SLOPES IN FRONT OF GUARDRAIL AND ALL TERMINALS SHALL BE 10% OR FLATTER, FOR ALL NEW INSTALLATIONS.
 - OFFSET BETWEEN FACE OF GUARDRAIL AND FACE OF FIXED OBJECT SHALL BE 5 FT., DESIRABLE, 4'-3" MINIMUM WHERE AN OFFSET OF AT LEAST 4'-3" CANNOT BE OBTAINED, DOUBLE POST SPACINGS (3'-1/2" O.C.) IN FRONT OF OBJECT PLUS A MINIMUM OF 7 SUCH SPACINGS IN ADVANCE OF OBJECT IS REQUIRED WITH A 3 FT. MINIMUM OFFSET.
 - WHERE PRECURVED GUARDRAIL IS INSTALLED AROUND RADII AT INTERSECTING SIDE ROADS, THE SHOULDER AREA BACK OF THE GUARDRAIL IS TO BE WIDENED AS SHOWN ABOVE WITH THE OFFSET BETWEEN THE TRAVEL LANE AND GUARDRAIL REMAINING APPROXIMATELY CONSTANT.



DEPARTMENT OF TRANSPORTATION
STATE OF GEORGIA
STANDARD
GUARDRAIL LOCATIONS IN MEDIANS
GUARDRAIL LOCATIONS AT TURNOUTS
31 INCH GUARDRAIL HEIGHT

SCALE: AS SHOWN
AUGUST 2011

DES. SUBMITTED: [Signature]
CHK. SUBMITTED: [Signature]
REVIEWED: [Signature]

NUMBER
4386

Order Plans

REVISION DATES	

GEORGIA STANDARDS SR 18 BRIDGE REPLACEMENT @ LONG CAME CREEK TROUP COUNTY			
CHECKED:	DATE:	DRAWING No.	
BACKCHECKED:	DATE:	41-0022	
CORRECTED:	DATE:		
VERIFIED:	DATE:		