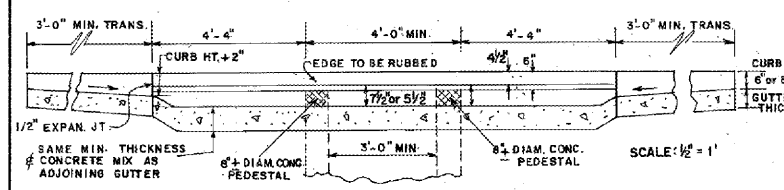
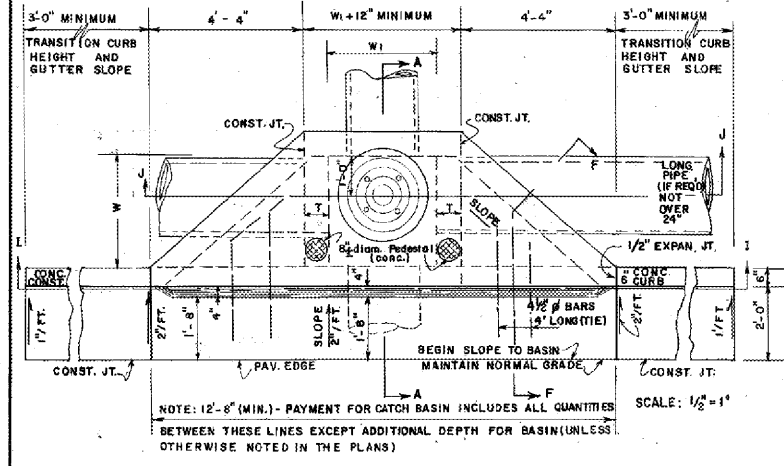
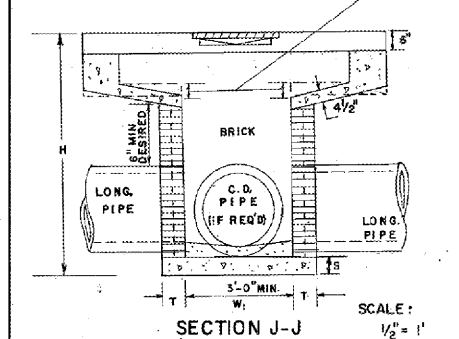


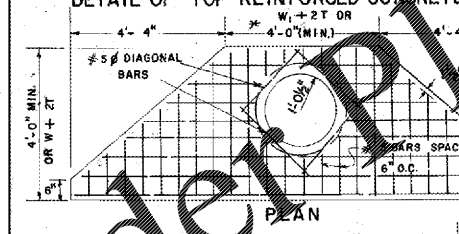
### CATCH BASIN (FOR CATCH BASIN WITH LONGIT. PIPE OVER 24" SEE DETAILS AT RIGHT.)



### SECTION I-I



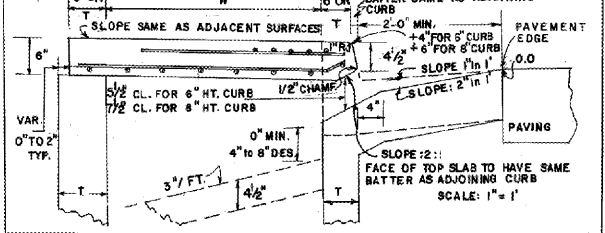
### SECTION J-J



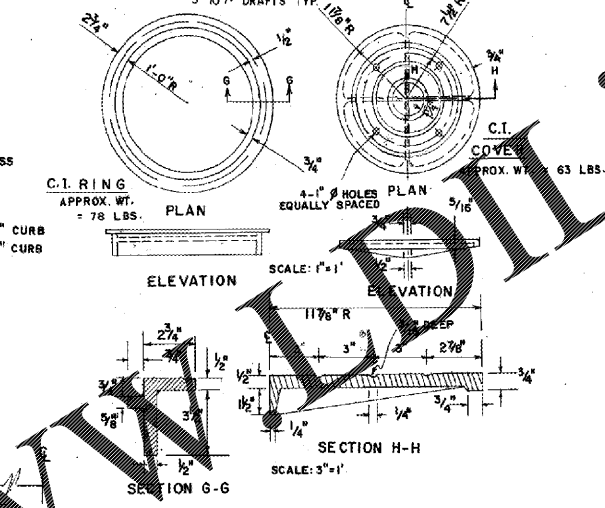
NOTE: ALL BARS IN PLAN VIEW ARE SPACED AT 6" O.C. NOTE: FOR PLAN DETAIL OF REINFORCING STEEL IN TOP PORTION OF SLAB, SEE PART PLAN AT TOP RIGHT.

NOTE: THE SLAB MAY BE CAST-IN-PLACE OR PRECAST. IF CAST-IN-PLACE, BUILDER'S PAPER IS TO BE PLACED BETWEEN THE CATCH BASIN AND TOP SLAB.

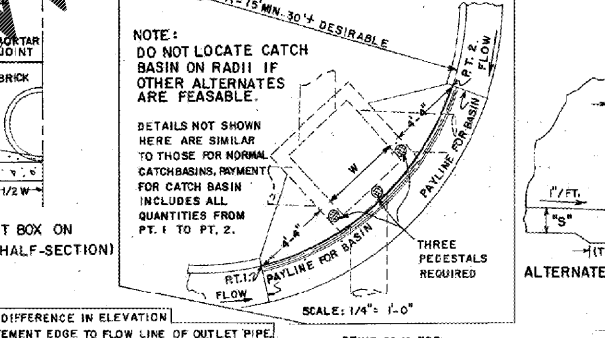
### DETAIL OF TOP STAB REINF. STEEL & CLEARANCES REQ'D.



### CASTING DETAILS



### CATCH BASIN ON RADII



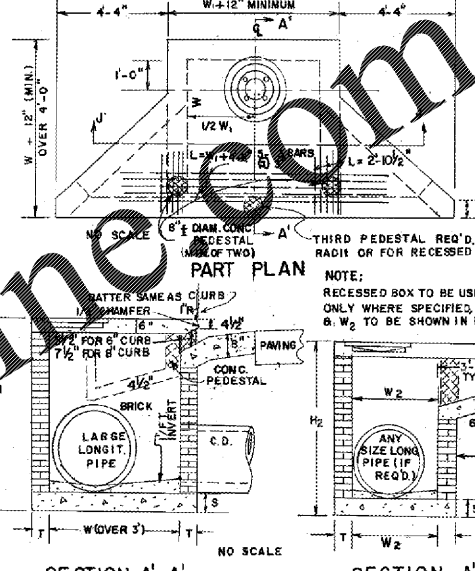
### TYPICAL MIN. DIMENSIONS

PIPE DIA.	H (MIN.)	W or W <sub>1</sub>	MIN. ΔE
12	4'-4"	3'-0"	3'-3"
15	4'-7"	3'-0"	3'-6"
18	4'-10"	3'-0"	3'-9"
24	5'-6"	3'-0"	4'-4"
30	6'-2"	3'-7"	5'-0"
36	6'-10"	4'-8"	5'-7"
42	7'-4"	5'-3"	5'-11"
48	8'-0"	6'-0"	6'-6"
54	8'-6"	6'-8"	7'-0"
60	9'-2"	7'-4"	7'-7"

NOTE: THE MIN. H & MIN. ΔE GIVEN IN ABOVE TABLE ARE BASED UPON TYPICAL OUTSIDE DIAMETERS OF CONC. PIPE AND MAY BE VARIED, IF CONDITIONS PERMIT WITH VARIED DIMENSIONS SPECIFIED IN THE PLANS OR DIRECTED BY THE ENGINEER. W & W<sub>1</sub> DIMENSIONS DO NOT HAVE TO BE EQUAL.

### CATCH BASIN (WITH PROTRUDED BACK)

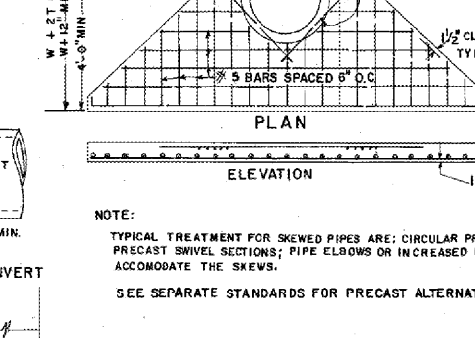
FOR USE WITH LONGITUDINAL PIPE OVER 24" OR FOR USE WITH RECESSED BOX



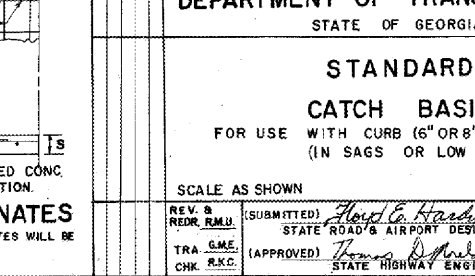
### SECTION A-A (FOR LONGIT. PIPE OVER 24")

### SECTION A-A (FOR RECESSED BOX)

### DETAIL OF TOP REINFORCED CONCRETE SLAB



### CONSTRUCTION ALTERNATES



STATE	PROJECT NUMBER	SHEET NO.	TOTAL SHEETS
GA.			

DEPARTMENT OF TRANSPORTATION  
STATE OF GEORGIA

STANDARD  
CATCH BASINS  
FOR USE WITH CURB (6" OR 8" HT.) & GUTTER  
(IN SAGS OR LOW POINTS)

SCALE AS SHOWN

REV. & REDR. R.M.U. (SUBMITTED) *David C. Hardy* STATE ROAD & AIRPORT DESIGN ENGR.  
TRA. G.M.E. (APPROVED) *James D. ...* STATE HIGHWAY ENGINEER  
CHK. R.K.C.

REV. & RED. AUGUST 19 82

NUMBER 1034D

### REVISION DATES


**GEORGIA STANDARDS**  
**SR 18 BRIDGE REPLACEMENT @ LONG CAME CREEK**  
**TROUP COUNTY**

CHECKED:	DATE:	DRAWING No.
BACKCHECKED:	DATE:	
CORRECTED:	DATE:	
VERIFIED:	DATE:	

41-0010