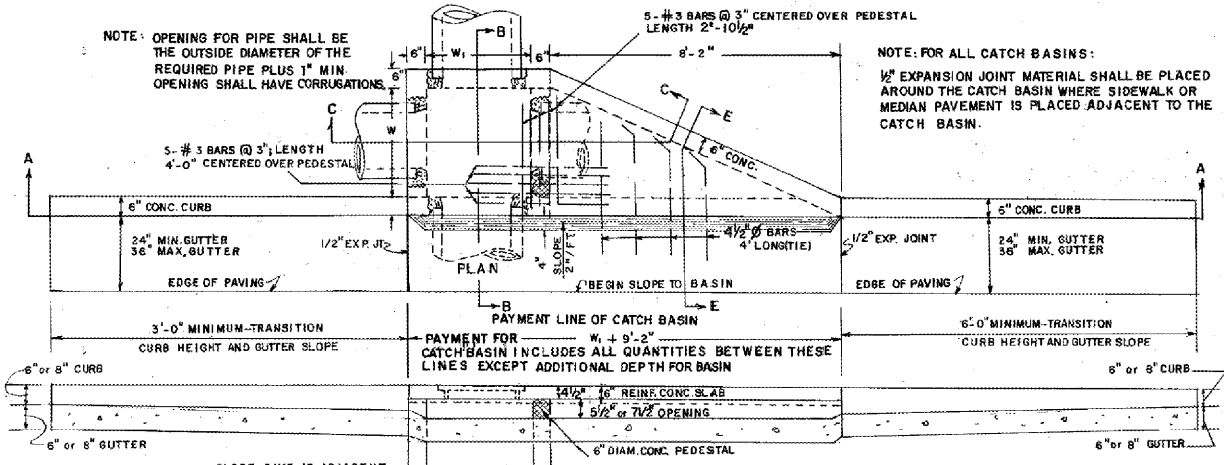


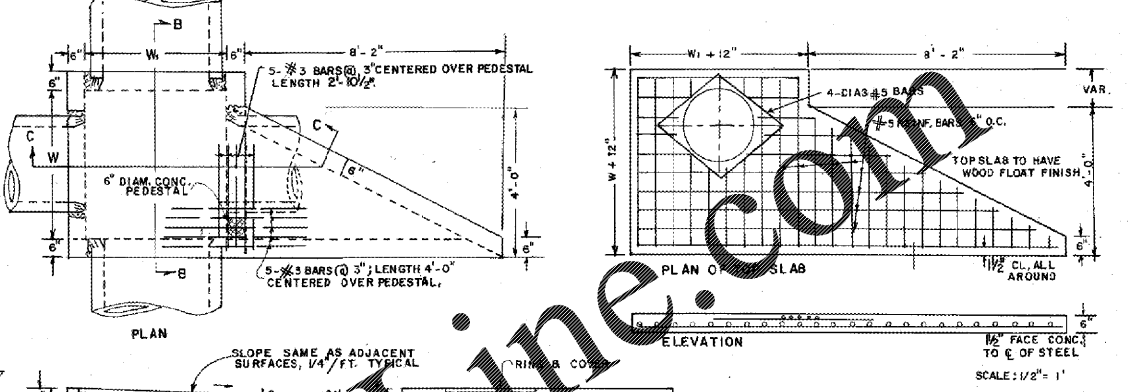
SP 11810

STATE	PROJECT NUMBER	SHEET NO.	TOTAL SHEETS
GA.			

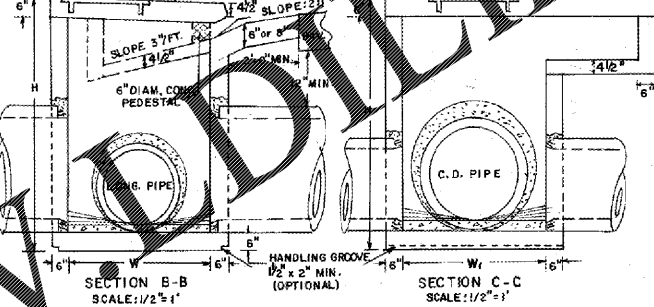
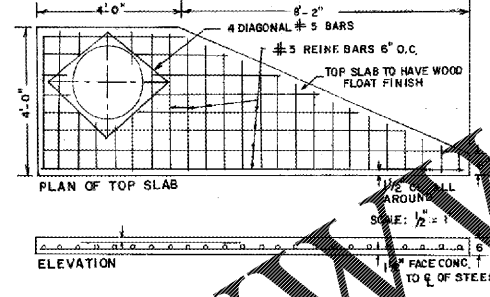
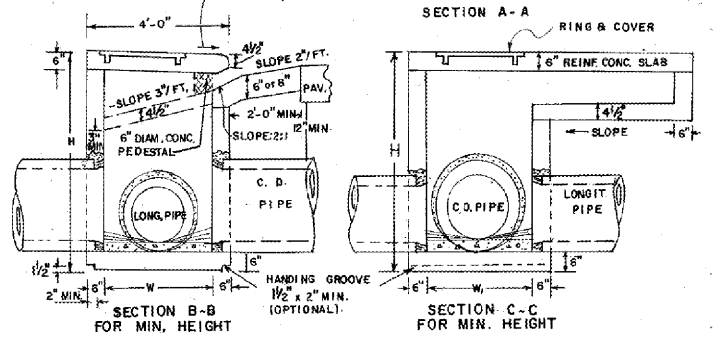
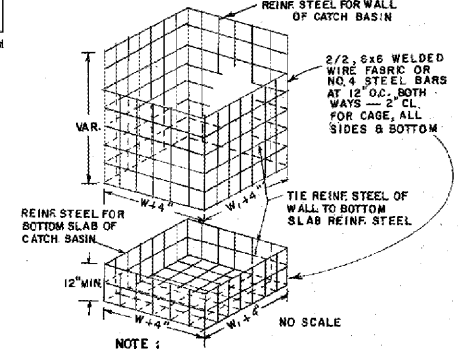
CATCH BASIN (IF CATCH BASIN HAS LONGITUDINAL PIPE OVER 24", SEE DETAILS AT RIGHT.)



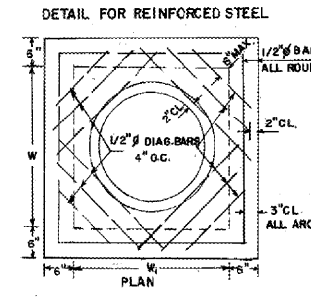
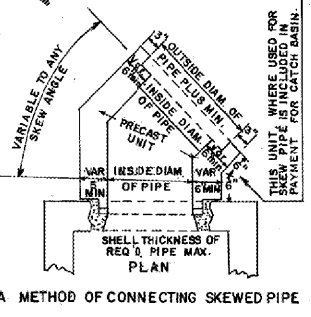
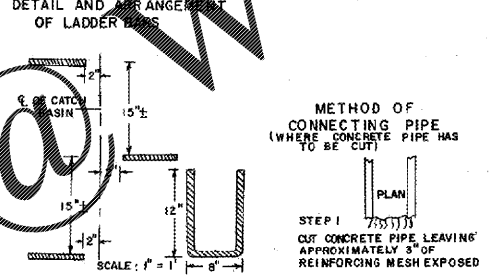
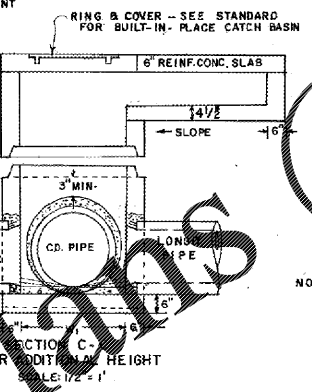
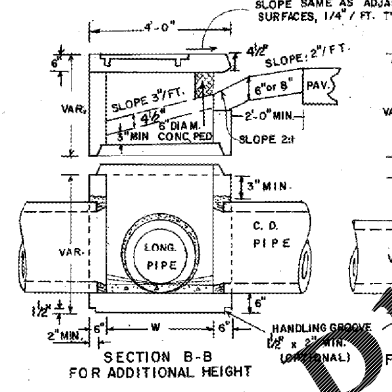
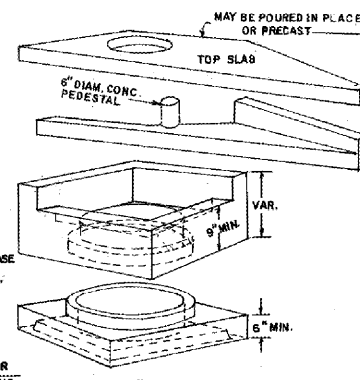
CATCH BASIN (TYPICAL FOR CATCH BASIN WITH LONGITUDINAL PIPE OVER 24")



REINFORCING - ISOMETRIC VIEW



TYPICAL ISOMETRIC VIEW



DIMENSIONS FOR CATCH BASINS

PIPE SIZE	NORMAL WOR W	MIN H
12"	3'-0"	4'-4"
15"	3'-0"	4'-7"
18"	3'-0"	4'-10"
24"	3'-0"	5'-6"
30"	4'-0"	6'-2"
42"	5'-0"	7'-4"
48"	5'-0"	8'-0"
54"	6'-0"	8'-5"
60"	6'-0"	9'-2"

DEPARTMENT OF TRANSPORTATION
STATE OF GEORGIA

STANDARD PRECAST CATCH BASINS FOR USE WITH CURB (6" OR 8" HT.) & GUTTER

SCALE AS SHOWN
REV. & REOR., SEPT., 1982
REV. & REOR. RMU (SUBMITTED) [Signature]
TRA. & ME. CHK. RKC (APPROVED) [Signature] STATE HIGHWAY ENGINEER
NUMBER 1033D
PRECAST

Order Plans

INFRASTRUCTURE CONSULTING & ENGINEERING
4940 PEACHTREE INDUSTRIAL BLVD., SUITE 310
NORCROSS, GEORGIA 30071

NOT TO SCALE

REVISION DATES

GEORGIA STANDARDS
SR 18 BRIDGE REPLACEMENT @ LONG CAME CREEK
TROUP COUNTY

CHECKED:	DATE:	DRAWING No.
BACKCHECKED:	DATE:	
CORRECTED:	DATE:	
VERIFIED:	DATE:	

41-0005