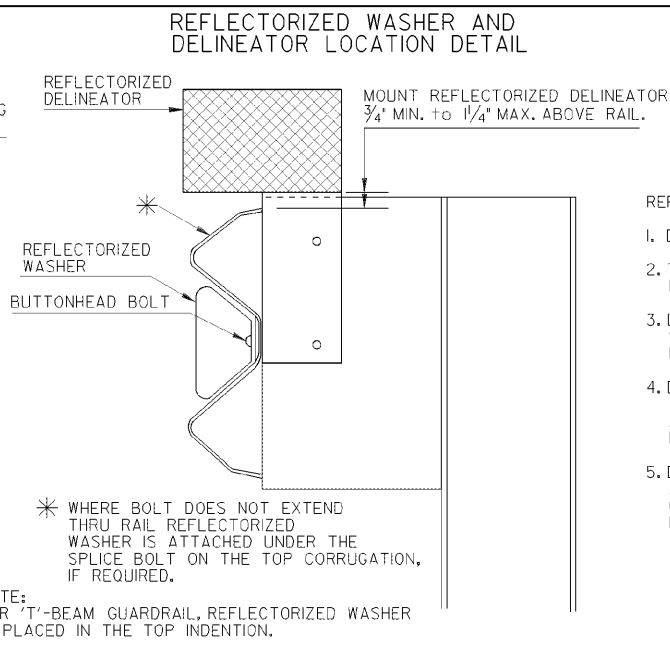
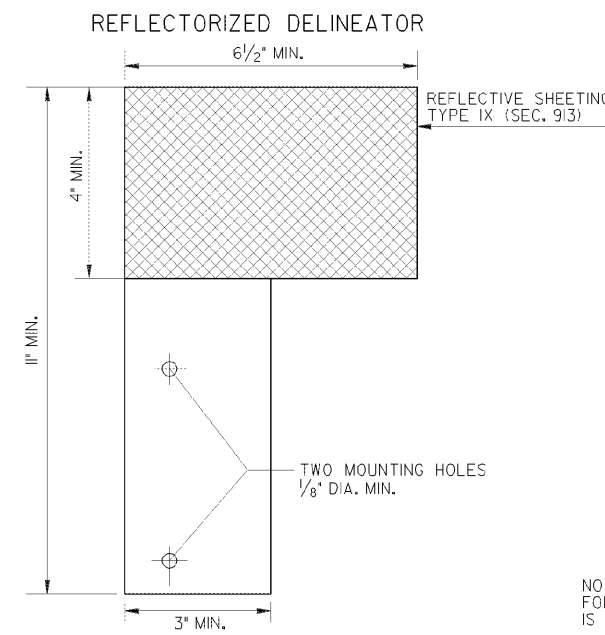
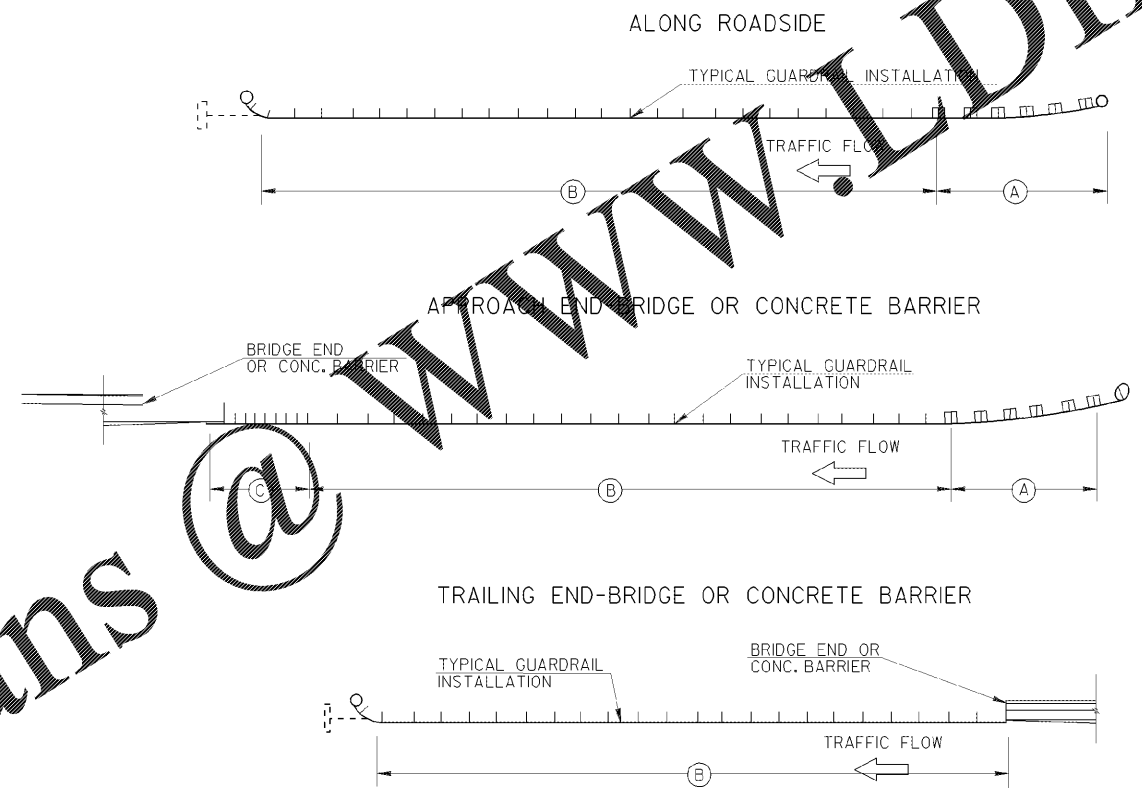
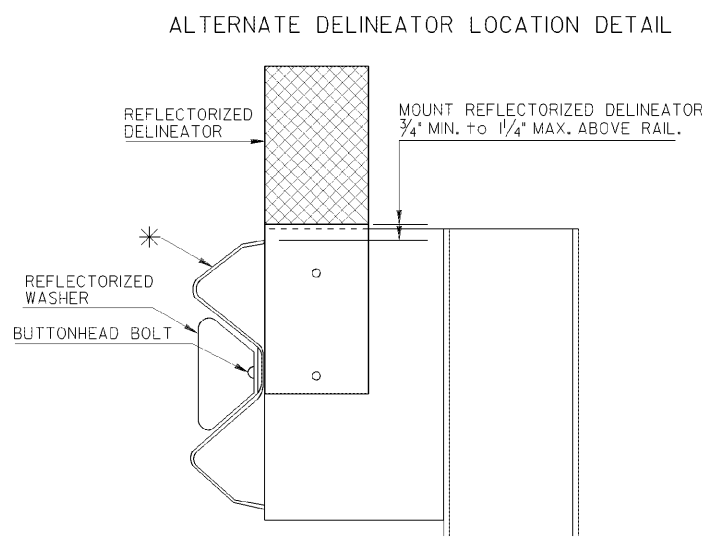
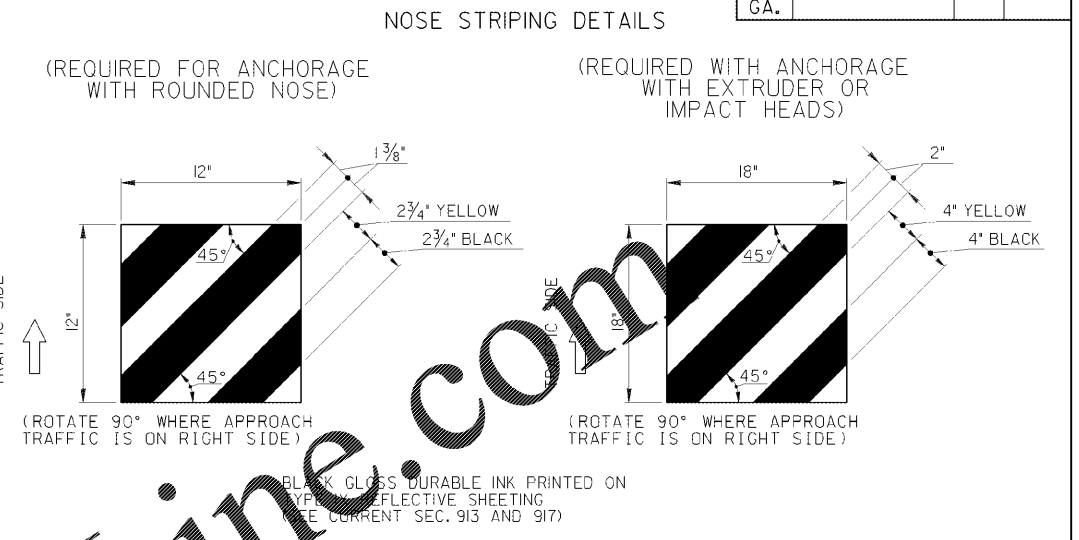


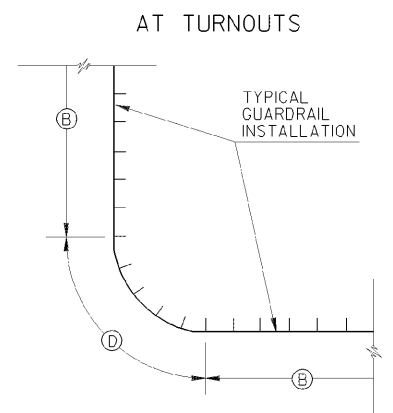
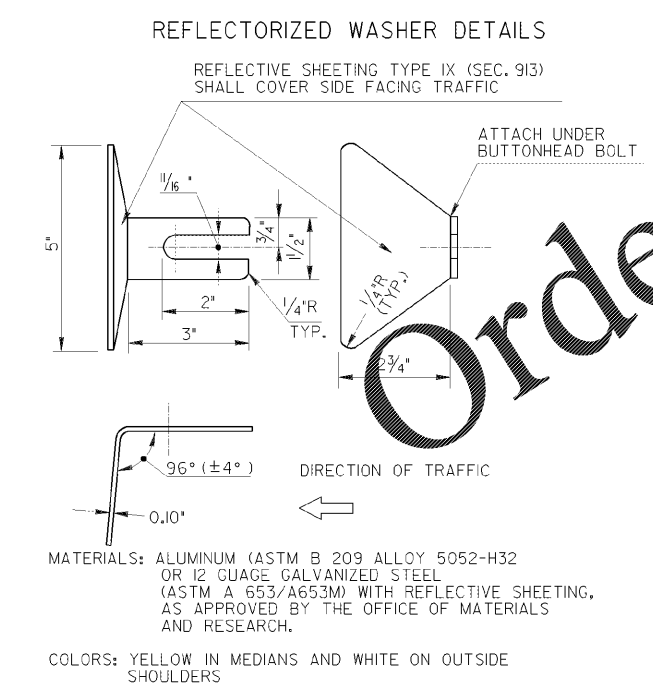
STATE	PROJECT NUMBER	SHEET NO.	TOTAL SHEETS
GA.			



- REFLECTIVE GUARDRAIL DELINEATORS:
1. DELINEATOR SHALL HAVE A MINIMUM THICKNESS OF 0.125 INCHES.
 2. THE DELINEATOR SHALL BE BLACK, HIGH-DENSITY POLYETHYLENE PANEL THAT IS STABILIZED AGAINST ULTRAVIOLET DEGRADATION.
 3. DELINEATOR SHALL HAVE A MINIMUM REFLECTIVE AREA OF 26 SQUARE INCHES FOR RIGHT AND LEFT DELINEATOR AND WILL USE TYPE IX REFLECTIVE SHEETING.
 4. DELINEATOR SHALL MEET THE FOLLOWING COLOR REQUIREMENTS: YELLOW IN THE MEDIAN, WHITE OF THE OUTSIDE SHOULDER AND RED ON THE REVERSE SIDE OF THE DELINEATOR AT RAMP LOCATIONS.
 5. DELINEATOR SHALL HAVE PREDRILLED HOLES IN THE PANEL TO ALLOW THE DELINEATOR TO BE ATTACHED TO WOOD, PLASTIC OR STEEL GUARDRAIL OFFSET BLOCKS WITH SCREWS, NAILS, EPOXY ADHESIVE OR AS PER MANUFACTURER'S RECOMMENDATIONS.



- SPACING OF REFLECTORIZED WASHERS AND DELINEATORS
- (A) -AT ANCHORAGES:
 - TWO (2) REFLECTORIZED WASHERS ARE REQUIRED ON THE RAIL UNDER SPLICE BOLTS AS DIRECT BY THE ENGINEER FOR ELLIPTICALLY FLARED ANCHORAGES WITH ROUNDED END PIECES.
 - NO REFLECTORIZED WASHERS OR DELINEATOR WILL BE USED FOR TANGENTIALLY ALIGNED OR STRAIGHT TAPERED ANCHORAGE WITH EXTRUDER OR IMPACT HEADS;
 - (B) -AT 75 FT. SPACINGS FOR INTERMEDIATE SECTIONS;
 - (C) -THREE WASHERS AT 6'-3" SPACING AT CONNECTIONS TO CONCRETE FACE ON THE APPROACH END;
 - (D) -AT 12'-6" SPACINGS AROUND RADII TURNS.
- NOTE: THE SPACING WILL BE USED TO INSTALL THE DELINEATOR ON NEW GUARDRAIL, EXISTING GUARDRAIL WITH EXISTING GUARDRAIL WASHERS AND EXISTING GUARDRAIL WITHOUT EXISTING GUARDRAIL WASHERS.



- GENERAL NOTES:
1. SPECIFICATIONS: GEORGIA STANDARD, CURRENT EDITION, & SUPPLEMENTS THERETO.
 2. SEE SEPARATE STANDARDS FOR DETAILS OF GUARDRAIL INSTALLATIONS, CONNECTING HARDWARE, AND ANCHORAGES.
 3. PAYMENT FOR REFLECTORIZED WASHERS, DELINEATORS AND NOSE STRIPING WILL BE INCLUDED IN THE PAVEMENT FOR GUARDRAIL AND ANCHORS IF INDIVIDUALS PAY ITEMS ARE NOT SHOWN IN THE CONTRACT.
 4. ADJUSTMENTS OF SPACINGS AND/OR REQUIREMENTS FOR REFLECTIVE WASHERS AND DELINEATORS MAY BE DIRECTED BY THE ENGINEER TO SUIT INDIVIDUAL LOCATIONS.
 5. WHERE DOUBLE FACED GUARDRAIL IS LOCATED ON THE INSIDE SHOULDER OF MEDIANS, REFLECTORIZED WASHERS AND DELINEATORS SHALL BE REQUIRED ONLY ON THE SIDE WHICH IS NEAREST TO TRAFFIC, UNLESS SPECIFIED OTHERWISE.
 6. WHEN DOUBLE FACED GUARDRAIL IS LOCATED IN THE CENTER OF THE MEDIAN, REFLECTORIZED WASHER AND DELINEATORS SHALL BE REQUIRED ON BOTH SIDES.

DEPARTMENT OF TRANSPORTATION STATE OF GEORGIA			
STANDARD REFLECTORIZED GUARDRAIL WASHERS, DELINEATOR AND ANCHORAGE NOSE STRIPING			
NO SCALE		REV. & REDR. APRIL, 1999	
BIO	DES. (SUBMITTED) <i>B. A. St...</i>	NUMBER 4360	
GLO	DRWN. (APPROVED) <i>Ch...</i>	STATE DESIGN POLICY ENGINEER	
RNU	CHK. <i>Ch...</i>	CHIEF ENGINEER	
BY	REVISION	DATE	
ADDED G'RAIL DELINEATOR AND REVISED GEN. NOTE		10-22-14	
REV. REFLECTIVE SH. TYPE		4-10-06	
REFLEC. SH. SPEC.		2-1-01	
ADD NOSE STRIPING		6-1-99	

Order Plans @ WWW.LDILine.com