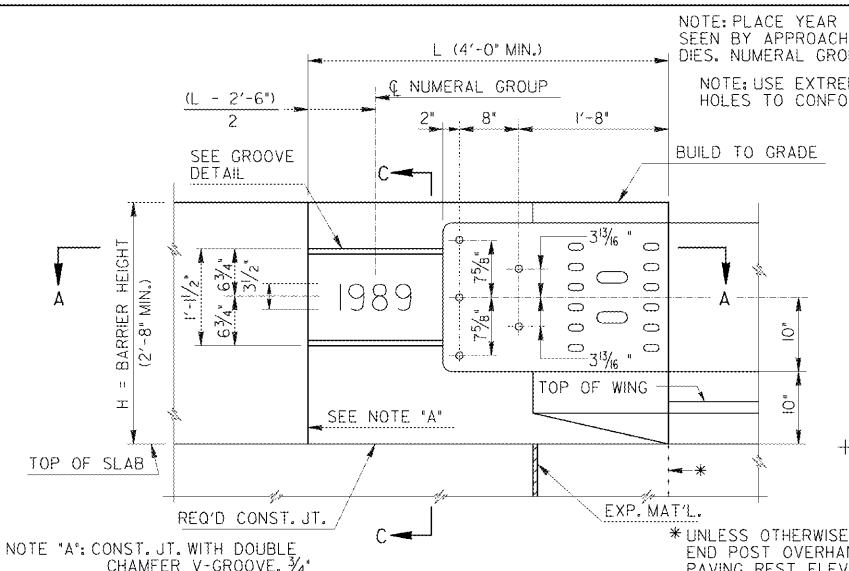
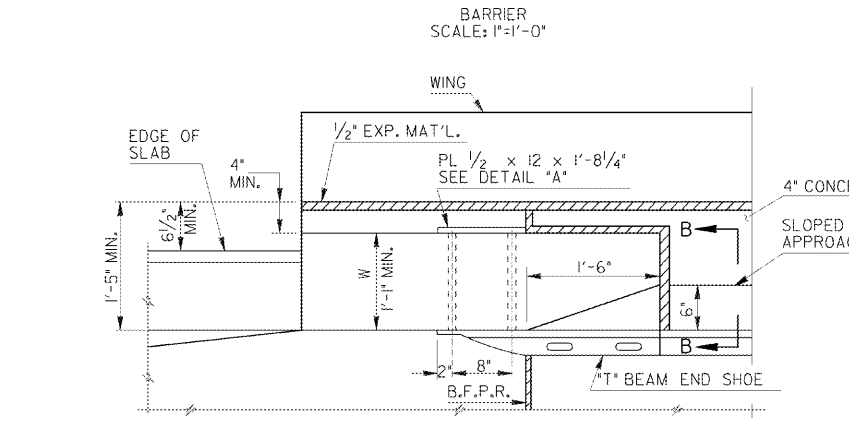


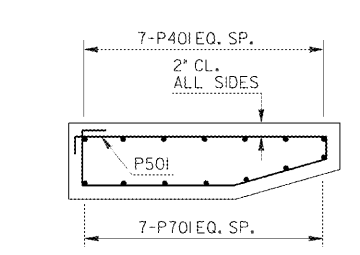
| STATE | PROJECT NUMBER | SHEET NO. | TOTAL SHEETS |
|-------|----------------|-----------|--------------|
| GA. | | | |



FRONT ELEVATION - END POST
BARRIER
SCALE: 1" = 1'-0"

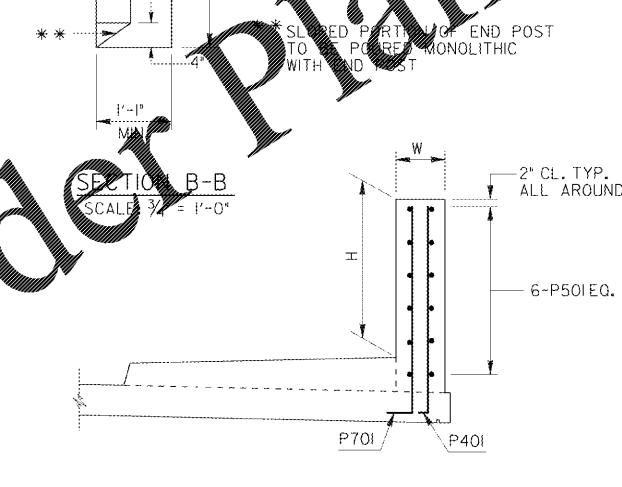


PLAN - END POST
BARRIER
SCALE: 1" = 1'-0"

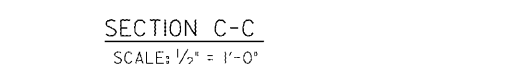


SECTION A-A
SCALE: 3/4" = 1'-0"

NOTE: IF END POST IS ON SUBSTRUCTURE, SEE BRIDGE PLANS FOR BARS THAT DOWEL FROM BELOW.



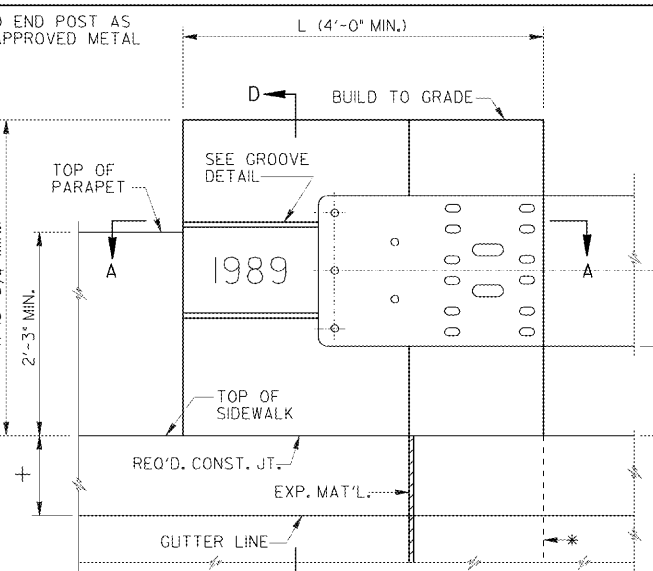
SECTION B-B
SCALE: 3/4" = 1'-0"



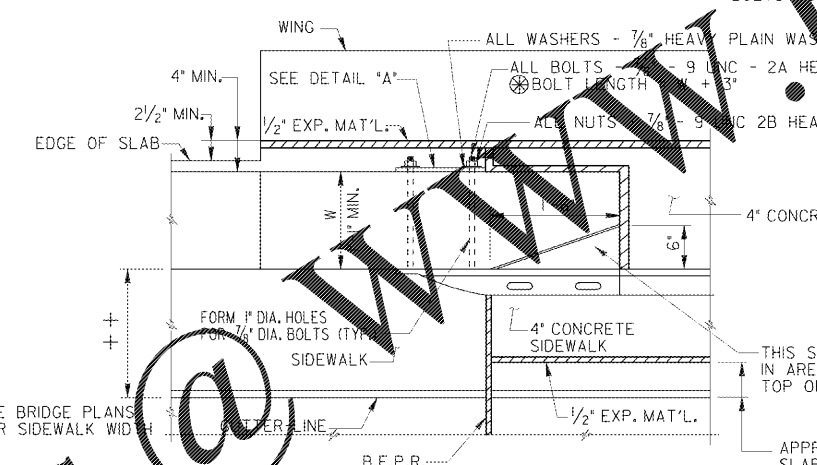
SECTION C-C
SCALE: 1/2" = 1'-0"



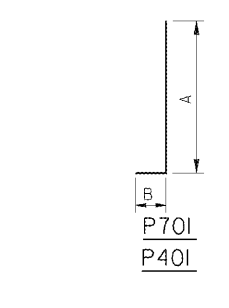
SECTION D-D
SCALE: 1/2" = 1'-0"



FRONT ELEVATION - END POST
SIDEWALK AND PARAPET
SCALE: 1" = 1'-0"

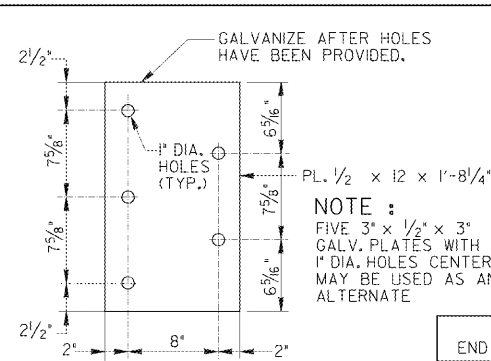


PLAN - END POST
SIDEWALK AND PARAPET
SCALE: 1" = 1'-0"

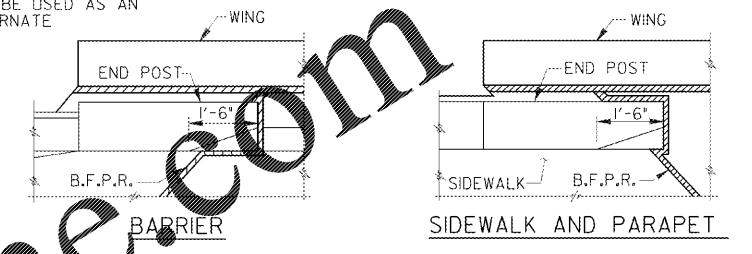


| NO. BARS REQ'D | | |
|----------------|---------|----------|
| MARK | BARRIER | SIDEWALK |
| P401 | 7 | 7 |
| P501 | 6 | 6 |
| P701 | 7 | 7 |

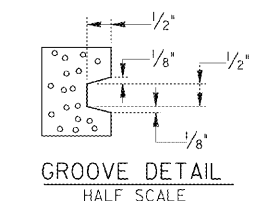
FOR END POST ON SUPERSTRUCTURE:
A = H - 4" + SLAB DEPTH (FOR BARRIER)
A = H - 4" + SIDEWALK DEPTH + SLAB DEPTH (FOR SIDEWALK AND PARAPET)
B = 1'-0"
FOR END POST ON SUBSTRUCTURE:
A = H - 2"
B = 0"
NOTE: ROTATE P701 AND P401 AS NECESSARY TO MAINTAIN 2" MIN. CL. IN CONCRETE.



DETAIL "A"
NO SCALE



TYPICAL SKEWED END DETAIL
SCALE: 1/2" = 1'-0"



GROOVE DETAIL
HALF SCALE

- GENERAL NOTES**
- SPECIFICATIONS - GEORGIA STANDARD.
 - LOCATION - ALL END POSTS UNLESS NOTED ON BRIDGE PLANS.
 - CHAMFER - CHAMFER ALL EXPOSED EDGES 3/4".
 - GALVANIZING - ALL METAL PARTS SHALL BE GALVANIZED AFTER FABRICATION.
 - PAYMENT FOR MISCELLANEOUS HARDWARE - COST OF 1/2" PLATE AND MISCELLANEOUS HARDWARE SHALL BE INCLUDED IN THE PRICES BID FOR CONTRACT ITEMS.
 - PAYMENT FOR THE END POST - IF END POST IS A PORTION OF THE SUBSTRUCTURE, CONCRETE AND REINFORCEMENT ARE COMPUTED AND INCLUDED IN THE END BENT QUANTITIES.
IF END POST IS A PORTION OF THE SUPERSTRUCTURE, CONCRETE AND REINFORCEMENT ARE COMPUTED AND INCLUDED IN THE END SPAN QUANTITIES.
 - RESPONSIBILITY - WHEN THE BRIDGE CONTRACT IS SEPARATE FROM THE CONTRACT CONTAINING THE APPROACHING GUARDRAIL, THE BRIDGE CONTRACTOR SHALL ONLY BE RESPONSIBLE FOR THE CONSTRUCTION OF THE END POSTS AND FORMING OF THE 1" DIAMETER BOLT HOLES. THE CONTRACT CONTAINING THE APPROACHING GUARDRAIL SHALL BE RESPONSIBLE FOR FURNISHING AND INSTALLING THE SPECIAL END SHOE, PLATE, NUTS, WASHERS, AND BOLTS.
 - DIMENSIONS - FOR DIMENSIONS "L", "H", AND "W" AND OTHER DIMENSIONS, SEE BRIDGE PLANS.
 - END POST - END POST TO BE CONSTRUCTED AFTER HANDRAIL IS IN PLACE.
END POST TO BE CONSTRUCTED AFTER BARRIER IS CONSTRUCTED WHEN NO HANDRAIL IS USED.

| | | | | |
|---|----------|---|--|---|
| DEPARTMENT OF TRANSPORTATION STATE OF GEORGIA | | | | |
| STANDARD END POST AND END POST GUARDRAIL ATTACHMENT DETAILS | | | | |
| REV. TRANSITION REDRAWN DATE 9-30-02 6-30-98 | REVISION | SCALE: AS SHOWN MAY 1989 NUMBER 3054 | | |
| DESIGNED H.W.C. DRAWN E.B.M. CHECKED H.W.C. | | | | (SUBMITTED) STATE ROAD (APPROVED) |
| G.J.P. BY C.H.E. | | | | CHIEF ENGINEER |