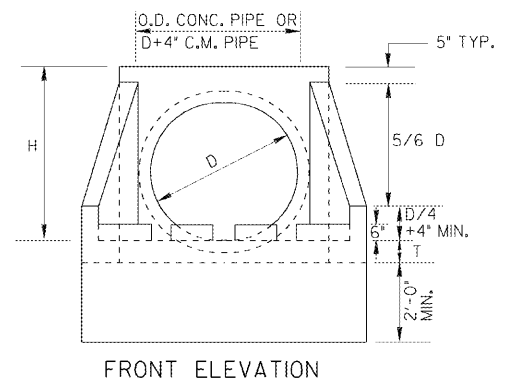
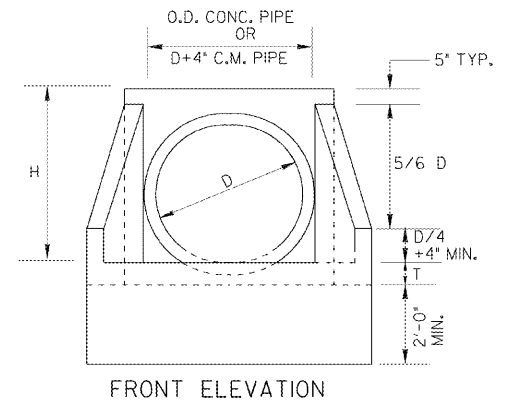


OUTLET HEADWALL

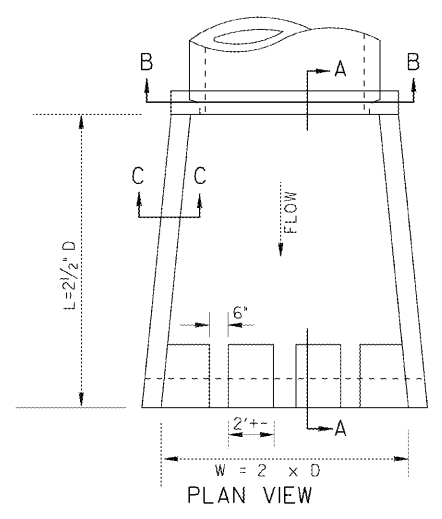


FRONT ELEVATION

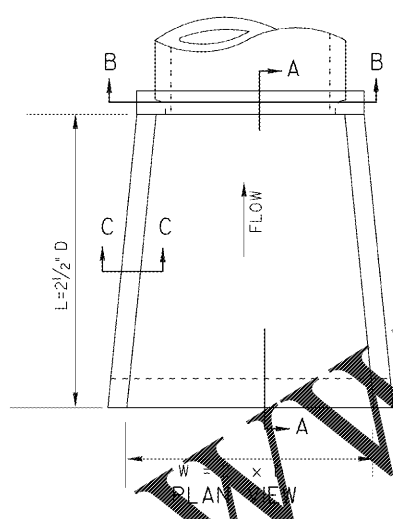
INLET HEADWALL



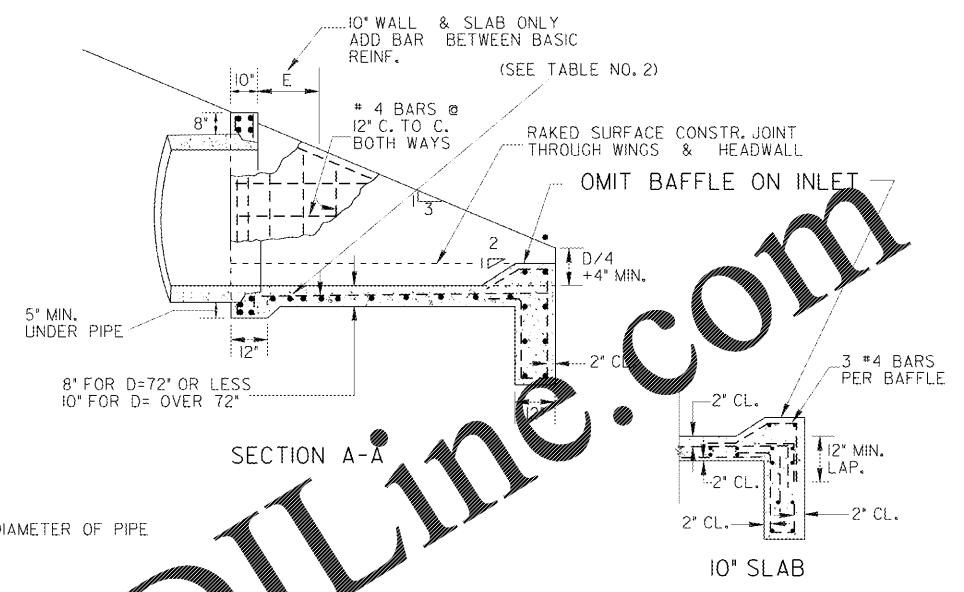
FRONT ELEVATION



PLAN VIEW



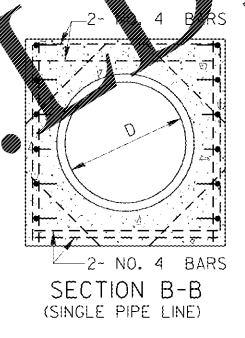
PLAN VIEW



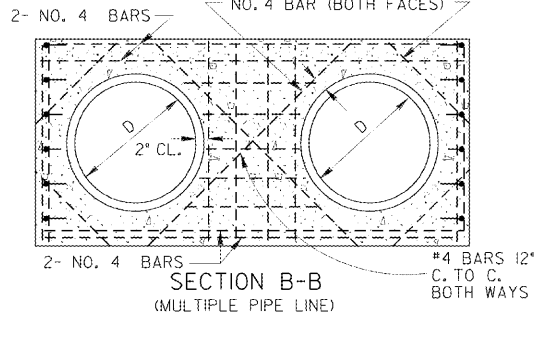
SECTION A-A

10" SLAB

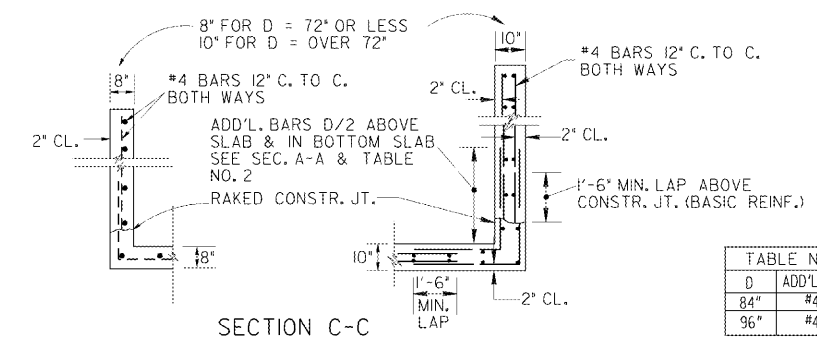
D = INSIDE DIAMETER OF PIPE



SECTION B-B (SINGLE PIPE LINE)



SECTION B-B (MULTIPLE PIPE LINE)



SECTION C-C

D	ADD'L. BAR	E
84"	#4	5'
96"	#4	8'

ADDITIONAL BAR DETAIL

D	CU. YDS. CONCRETE (PAY QUANTITIES)				LBS. STEEL (GIVEN FOR INFORMATION ONLY)			
	FOR SINGLE LINE		ADD FOR ADD'L LINE		FOR SINGLE LINE		ADD FOR EACH ADD'L LINE	
	INLET	OUTLET	INLET	OUTLET	INLET	OUTLET	INLET	OUTLET
15"	0.87	0.93	0.60	0.66	102	113	73	83
18"	1.10	1.16	0.85	0.93	126	137	93	104
24"	1.61	1.69	1.29	1.37	187	198	124	134
30"	2.21	2.32	1.83	1.94	258	270	154	164
36"	2.92	3.05	2.49	2.63	338	354	196	212
42"	3.73	3.87	3.20	3.35	427	444	231	247
48"	4.62	4.80	3.99	4.16	525	543	265	281
54"	5.63	5.83	4.87	5.06	632	651	319	340
60"	6.72	6.95	5.82	6.02	748	768	360	391
72"	9.22	9.48	8.24	8.46	1023	1044	475	494
84"	14.84	15.12	13.05	13.29	1517	1539	1017	1044
96"	18.88	19.17	17.13	17.41	2188	2250	1323	1350

*NOTE: QUANTITIES SHOWN WILL BE ACTUAL PAY QUANTITIES FOR CLASS 'A' CONCRETE, INCLUDING REINFORCED STEEL. NO ADJUSTMENT WILL BE MADE FOR AS BUILT QUANTITIES.

D - INSIDE DIAMETER OF PIPE CULVERT

H = D + 10" MIN. FOR C.M. PIPE
H = D + PIPE WALL THICKNESS + 8" FOR CONC. PIPE
(13/12 D + 9" TYP.)

T = 8" FOR D = 72" OR LESS
T = 10" FOR D = OVER 72"

Order Plans

WWW.IDILine.com

DATE		DEPARTMENT OF TRANSPORTATION STATE OF GEORGIA	
REVISION		STANDARD TAPERED INLET HEADWALL - OUTLET HEADWALL (BUILT-IN-PLACE)	
NO SCALE		REV. & REDR. OCT., 1999	
DES. (SUBMITTED)	DRW. (APPROVED)	TRA. (APPROVED)	CHK. (APPROVED)
NO. 1125		NUMBER 1125	