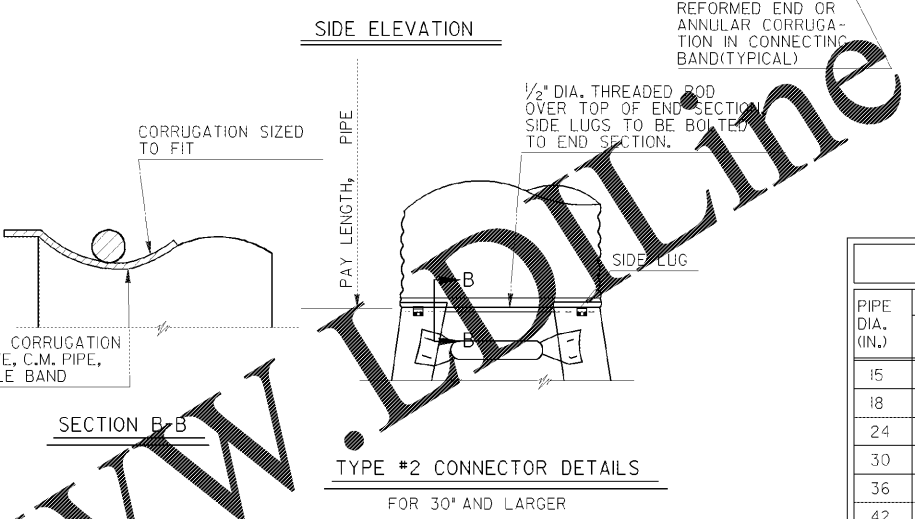
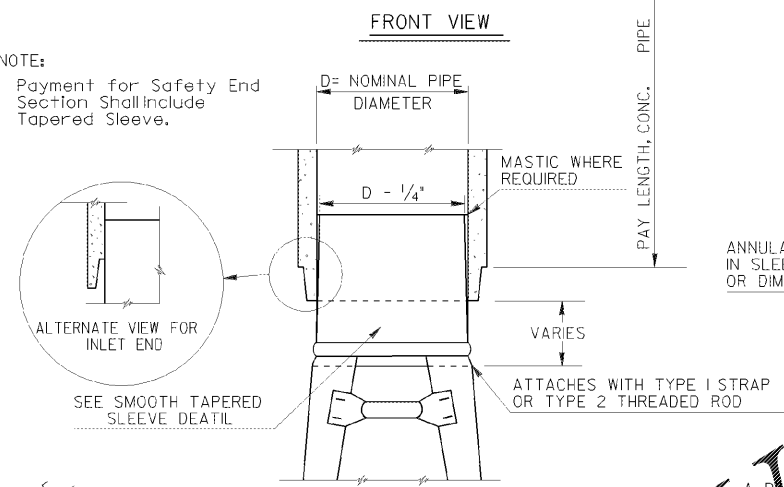
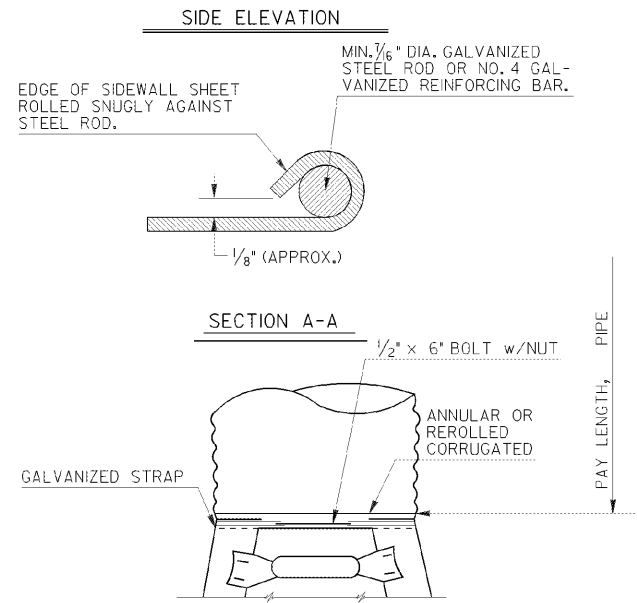
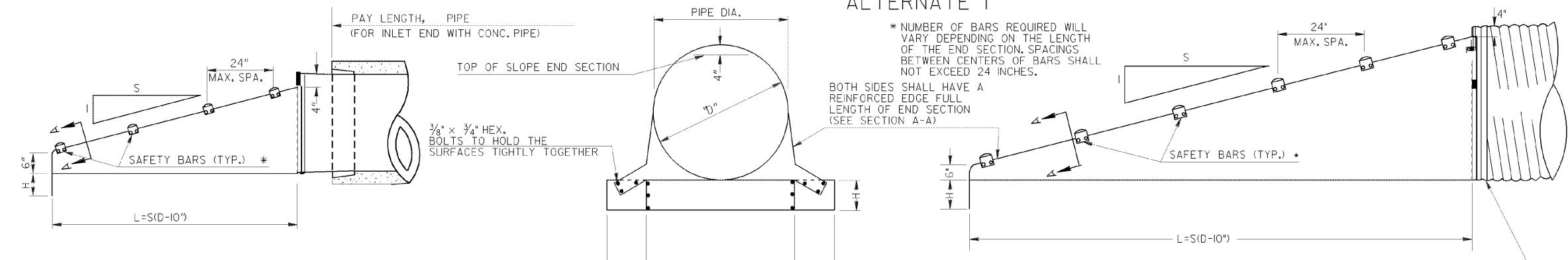


STATE	PROJECT NUMBER	SHEET NO.	TOTAL SHEETS
GA.			

ALTERNATE 1



GENERAL NOTES
ALTERNATE 1

GALVANIZED STEEL SHEET
USE GALVANIZED STEEL SHEET CONFORMING TO AASHTO M 218.

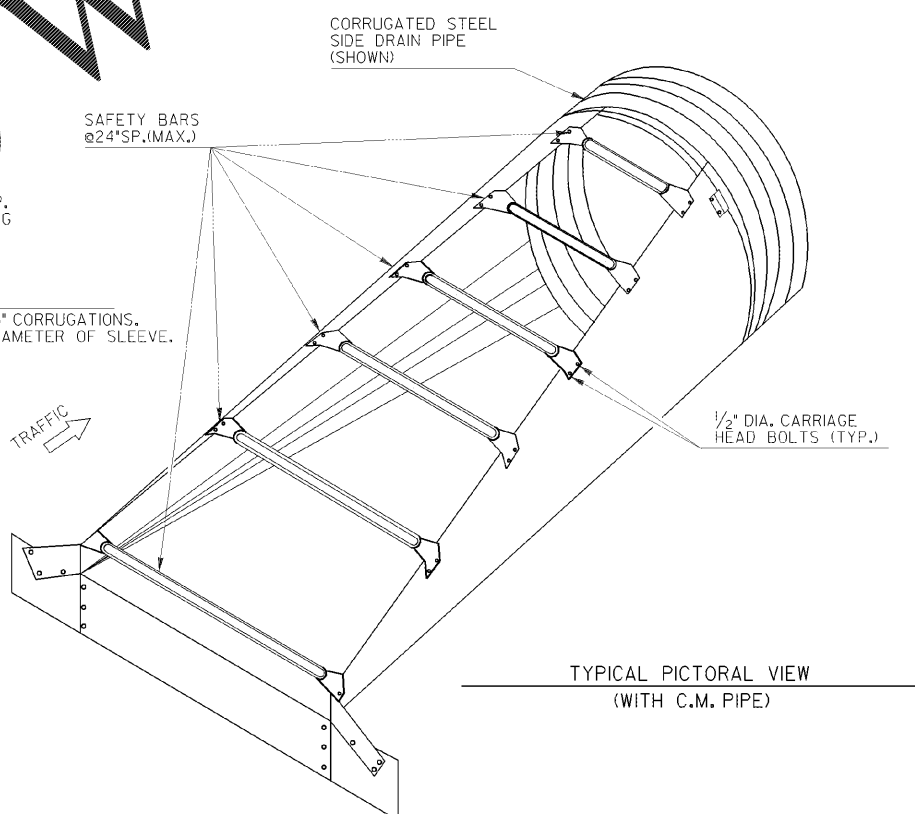
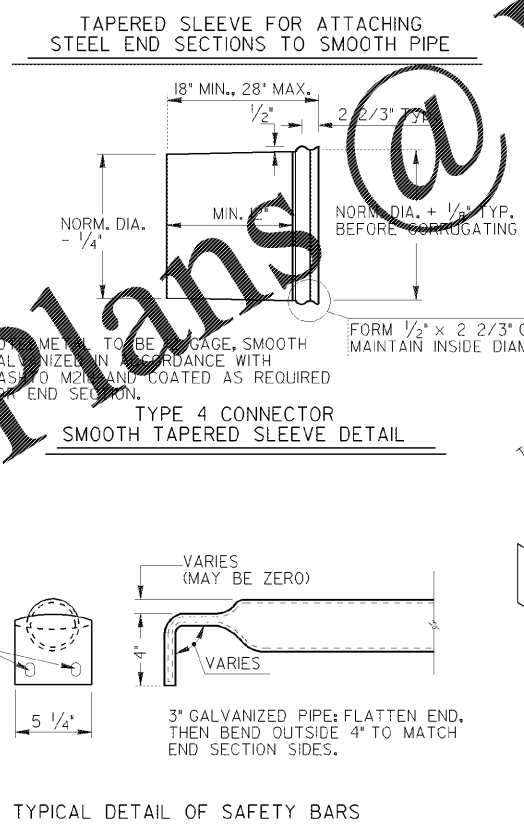
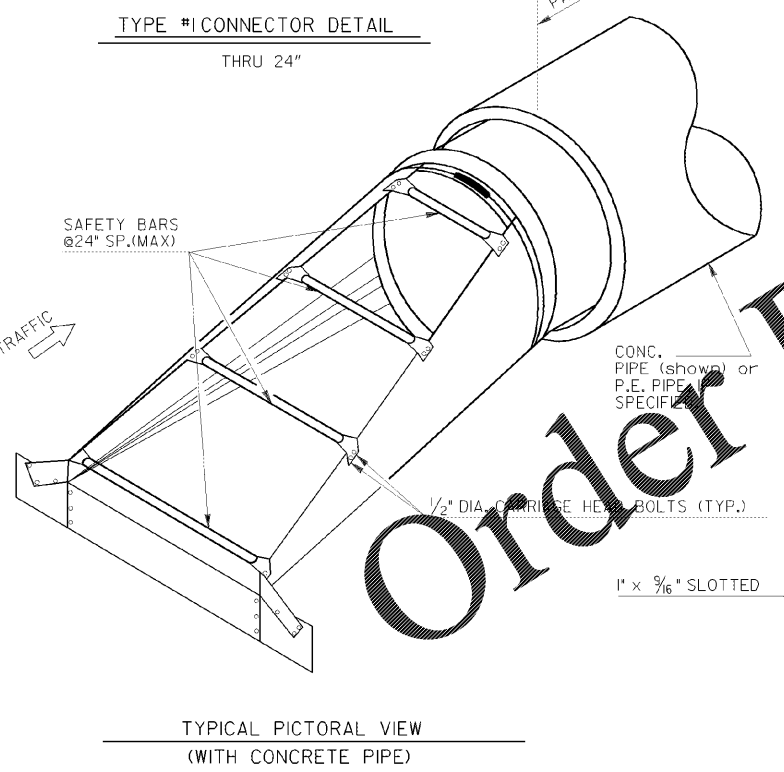
CONNECTORS
PAYMENT FOR END SECTION SHALL INCLUDE CONNECTION OF THE TYPE REQUIRED FOR THE SIDE DRAIN USED.

SAFETY BARS
SHALL BE 3\"/>

PIPE DIA. (IN.)	MIN. THICK.	DIMENSIONS (INCHES)				* L DIMENSION				
		IN.	GAGE	A	H	W D+6"	OVERALL WIDTH	SLOPE (S:I)	LENGTH (IN.)	SLOPE (S:I)
15	.064	16	8	6	21	37	4:1	20	6:1	30
18	.064	16	8	6	24	40	4:1	32	6:1	48
24	.064	16	8	6	30	43	4:1	56	6:1	84
30	.109	12	12	9	36	60	4:1	80	6:1	120
36	.109	12	12	9	42	66	4:1	104	6:1	156
42	.109	12	16	12	48	80	4:1	128	6:1	192
48	.109	12	16	12	54	86	4:1	152	6:1	228

*SEE STD. NO. 903IT FOR SLOPES AT SIDE ROAD OR AT DRIVES.

SPECIAL NOTE:
WHERE THE LENGTH OF DITCH OR THE DISTANCE BETWEEN TOE POINTS OF END SECTIONS ON SEPARATE INSTALLATIONS WOULD BE LESS THAN 30 FT., CONTINUED S.D. PIPE WITH AN INTERMEDIATE INLET OR OTHER ALTERNATE MAY BE SPECIFIED INSTEAD.



Order Plans @

REVISED GENERAL NOTES	1-28-05	CONVERTED TO STANDARD	12-14-94	PAY ITEM REVISION	11-18-94	GEN. REVISION	12-20-93	REFER TO STD. 903IT	DATE	12-20-93
DEPARTMENT OF TRANSPORTATION STATE OF GEORGIA STANDARD SAFETY END SECTION (METAL) (FOR SIDE DRAIN PIPE-OR FOR STORM DRAIN PIPE PARALLEL TO MAINLINE) ALTERNATE 1										
NO SCALE										
SEPT., 1993										
G.L.O.	R.M.J.	R.M.J.	R.M.J.	BY	DESIGNED	(SUBMITTED) <i>B.A.S.</i>	STATE ROAD & AIRPORT DESIGN ENGINEER	NUMBER	1122	
					DRAWN	(APPROVED) <i>O.S. Steel</i>	CHIEF ENGINEER	SHEET	1 OF 3	