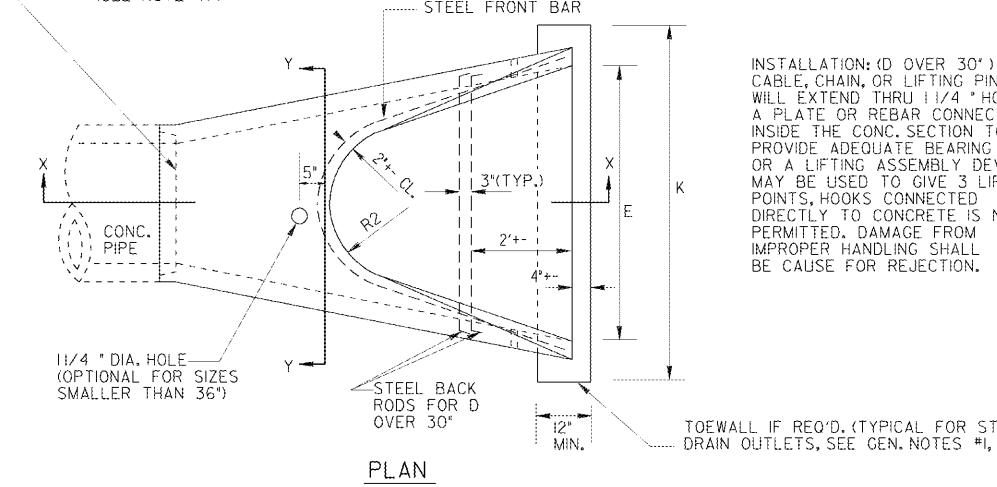
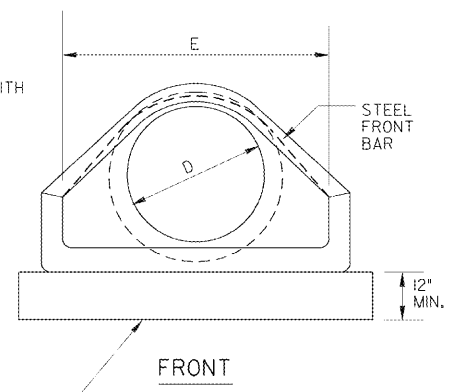


| | | | |
|-------|----------------|-----------|--------------|
| STATE | PROJECT NUMBER | SHEET NO. | TOTAL SHEETS |
| GA. | | | |

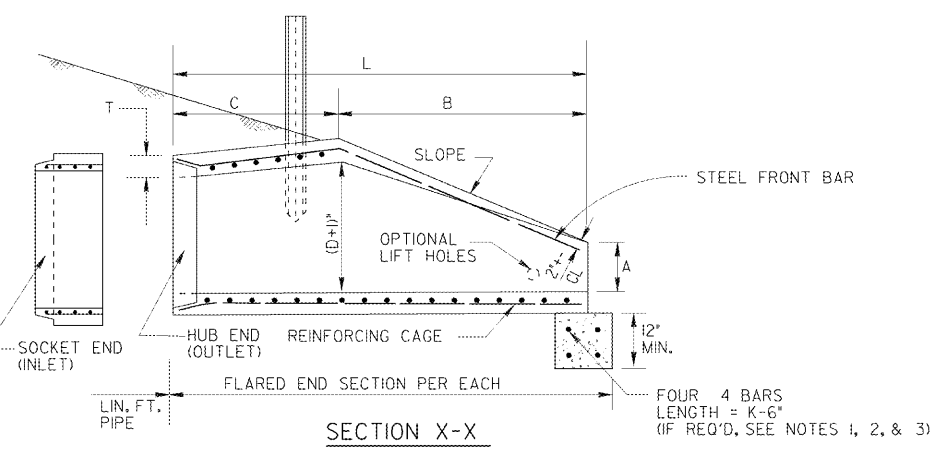
CONCRETE FLARED END SECTION



INSTALLATION: (D OVER 30") CABLE, CHAIN, OR LIFTING PIN WILL EXTEND THRU 1 1/4" HOLE WITH A PLATE OR REBAR CONNECTED INSIDE THE CONC. SECTION TO PROVIDE ADEQUATE BEARING AREA OR A LIFTING ASSEMBLY DEVICE MAY BE USED TO GIVE 3 LIFT POINTS, HOOKS CONNECTED DIRECTLY TO CONCRETE IS NOT PERMITTED. DAMAGE FROM IMPROPER HANDLING SHALL BE CAUSE FOR REJECTION.



NOTE: DO NOT CUT CONCRETE PIPE. USE FULL LENGTH SECTIONS ONLY. WARP SLOPE TO CONFORM WITH PIPE LENGTH AND END SECTION.



REINFORCING CAGE:
 (1) WIRE FABRIC HAVING EQUAL STEEL AREA AS INNER CAGE FOR CLASS #1 PIPE, AASHTO M-170.
 (2) ALTERNATE: # 3 BARS SPACED 12" LONGITUDINALLY WITH # 2 BARS TRANSVERSELY AT 6" O.C. MAX. SPACING, SPOT WELDED OR TIED TO FORM CAGE. (BACK RODS MAY BE OMITTED.)

NOTE 'A':
 CONTRACTOR WILL INFORM PRODUCER IF CONCRETE FLARED END SECTION IS FOR INLET OR FOR OUTLET END. SOCKET (TONGUE OR SPIGOT) END IS REQUIRED FOR INLETS. HUB (GROOVE OR BELL) END IS REQUIRED FOR OUTLETS. SOCKET TO SOCKET OR HUB TO HUB JOINT WILL NOT BE ACCEPTED UNLESS A REINFORCED CONCRETE COLLAR IS BUILT AROUND THE JOINT WITH NO PAYMENT BEING MADE FOR THE COLLAR.
 FLARED END SECTIONS SHALL BE JOINTED TO PIPE WITH ALL SPACE IN THE JOINT FILLED WITH EITHER BITUMINOUS PLASTIC CEMENT OR PREFORMED PLASTIC GASKET (SEC. 848).

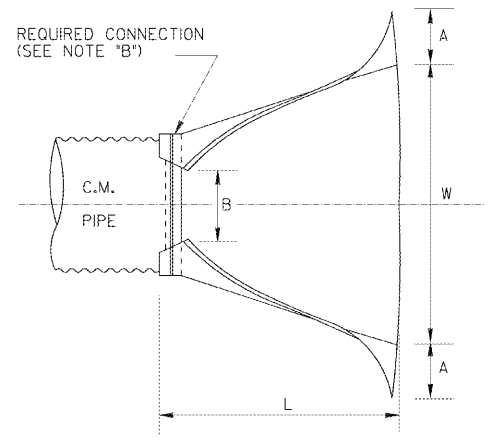
WALL THICKNESS (T) IS SHOWN AS NOMINAL AND MAY BE INCREASED AT PRODUCER'S OPTION FOR DESIRED JOINT DESIGN OR TO ALLOW A FLAT OUTSIDE BOTTOM ON THE FLARE, WITH INSIDE DIMENSIONS OF FLARE RETAINED AS SHOWN.
 T = PIPE WALL THICKNESS (0.0833D + 1" TYPICAL)

| DIMENSIONS AND REINFORCING FOR CONCRETE FLARED END SECTIONS (+/- 1/8" TOLERANCE) | | | | | | | | | | | OUTLET TOEWALL (IF REQ'D) | |
|--|----------------|--------------|-------|-----|------|-------|------|------|------|------|---------------------------|---------------|
| PIPE DIA | FRONT BAR | BACK RODS | SLOPE | A | B | L | E | P | R1 | R2 | K- E + 2' | CU YDS. CONC. |
| 12" | 1-#3 x 5' 4" | NOT REQ'D. | 2.2% | 4" | 2'0" | 4'1" | 6'1" | 2'0" | 1'8" | 1'0" | 4'-0" | .148 |
| 15" | 1-#3 x 6' 0" | NOT REQ'D. | 2.2% | 6" | 2'3" | 3'10" | 6'1" | 2'6" | 2'0" | 1'0" | 4'-6" | .167 |
| 18" | 1-#3 x 7' 2" | NOT REQ'D. | 2.2% | 8" | 2'3" | 3'10" | 6'1" | 3'0" | 2'5" | 1'4" | 5'-0" | .185 |
| 24" | 1-#3 x 9' 10" | NOT REQ'D. | 2.4% | 10" | 3'8" | 2' 6" | 6'2" | 4'0" | 2'9" | 1'5" | 6'-0" | .222 |
| 30" | 1-#4 x 11' 8" | NOT REQ'D. | 2.4% | 12" | 4'6" | 1' 8" | 6'2" | 5'0" | 3'1" | 1'6" | 7'-0" | .259 |
| 36" | 1-#4 x 13' 10" | 2-#4 x 6' 3" | 2.4% | 15" | 5'3" | 2'11" | 8'2" | 6'0" | 4'0" | 2'0" | 1'8" | .296 |
| 42" | 1-#4 x 13' 10" | 2-#4 x 7' 4" | 2.4% | 21" | 5'3" | 2'11" | 8'2" | 6'6" | 4'6" | 2'4" | 1'10" | .315 |

NOTE: SPECIFIED REINFORCING IS MINIMAL AND MAY BE INCREASED AT PRODUCERS OPTION TO AID CASTING & HANDLING. ALTERNATE REINFORCEMENT PERMITTED IF APPROVED.

NOTE: 'C' AND 'L' DIMENSION MAY BE MEASURED TO EITHER END OF JOINT CONNECTION AT PIPE.

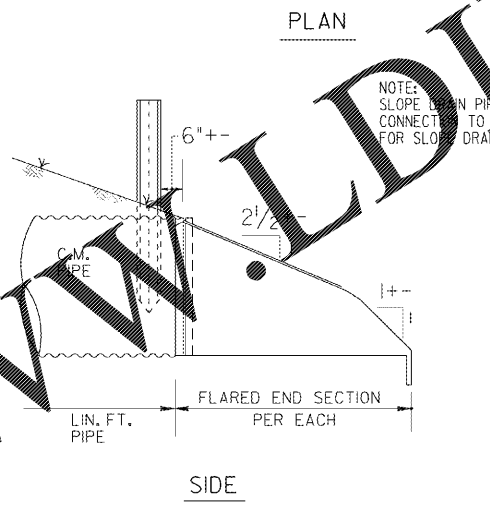
METAL FLARED END SECTION
 (USE ONLY WITH COR. METAL PIPE)



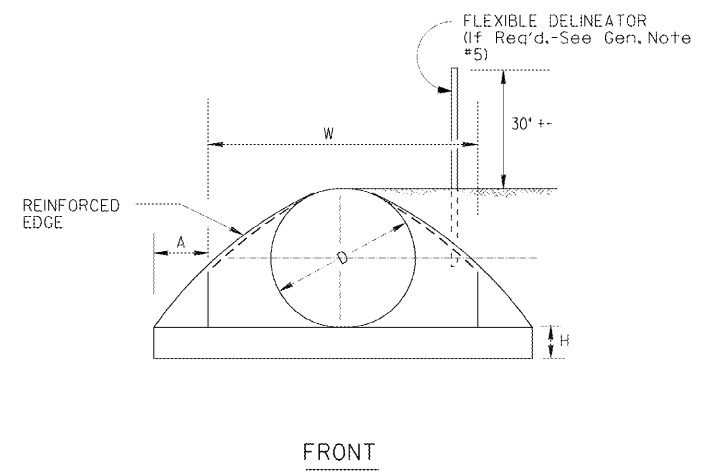
NOTE: GALVANIZED STEEL FLARED END SECTIONS ARE TO BE USED ONLY WITH CORRUGATED STEEL PIPE AND ALUMINUM FLARED END SECTIONS ARE TO BE USED ONLY WITH CORRUGATED ALUMINUM PIPE UNLESS OTHERWISE APPROVED BY D.O.T. OFFICE OF MATERIALS AND TESTS.

| PIPE SIZE 'D' | THICKNESS | | A = 0.4D +/- 1" | B = 0.5 D +/- 1" | H = 0.25 D MIN. | L = 1.67D (1/2' MIN.) | W = 2.0D +/- 2" |
|---------------|-------------|-------|-----------------|------------------|-----------------|-----------------------|-----------------|
| | GALV. STEEL | ALUM. | | | | | |
| 12" | .064" | .060" | 5" | 6" | 6" | 1'8" | 2'0" |
| 15" | .064" | .060" | 6" | 7" | 6" | 2'3" | 2'6" |
| 18" | .064" | .060" | 7" | 8" | 6" | 2'6" | 3'0" |
| 24" | .064" | .060" | 9" | 1'0" | 6" | 3'4" | 4'0" |
| 30" | .079" | .105" | 12" | 1'3" | 7" | 4'2" | 5'0" |
| 36" | .079" | .105" | 12" | 1'6" | 9" | 5'0" | 6'0" |
| 42" | .109" | .164" | 15" | 1'9" | 10" | 5'10" | 7'0" |

NOTE: WHERE METAL FLARED END SECTIONS ARE USED WITH MULTIPLE PIPE LINES, THE STANDARD SPACING BETWEEN FLARES (S = 2 OR 3 FT.) MAY HAVE TO BE INCREASED (S = 1.75 D TYPICAL). TO PREVENT OVERLAP OF END SECTION WINGTIPS. SEE ALSO STD. 1030D.



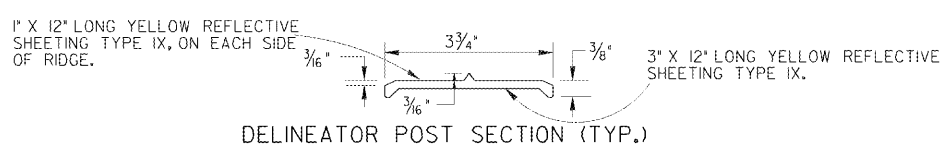
NOTE: SLOPE DRAIN PIPE WILL REQUIRE AN ELBOW FOR CONNECTION TO THE FLARED END SECTION. PAYMENT FOR SLOPE DRAIN PIPE WILL INCLUDE THIS ELBOW.



SPECIAL NOTE:
 FLARED END SECTIONS ARE NORMALLY LIMITED TO USE OUTSIDE THE CLEAR ZONE OR BEHIND BARRIER AND WHERE HYDRAULICS PERMIT. SEE OTHER STANDARDS OR DETAILS FOR TAPERED HEADWALLS, SAFETY SLOPE END SECTIONS OR OTHER PIPE END STRUCTURES.

GENERAL NOTES :

- TOEWALLS ARE REQ'D. FOR OUTLETS OF CONC. STORM DRAINS, EXCEPT WHERE DITCH PAVING OR OTHER EROSION PROTECTION IS PROVIDED OR WHERE THE OUTLET VELOCITY IS LESS THAN 8 FT/SEC. TOEWALLS ARE NOT REQUIRED FOR SIDE DRAINS, SLOPE DRAINS OR INLETS OF STORM DRAINS THIS CRITERIA MAY BE VARIED WHERE SPECIFIED BY THE DESIGNER OR THE ENGINEER.
- TOEWALLS WILL BE PAID FOR AS CU. YDS. OF CLASS #A OR #B CONCRETE. CONTRACTOR MAY ELECT TO CONSTRUCT TOE WALL WITH SAND CEMENT BAG RIPRAP OR STONE RIPRAP TO SAME MINIMUM DIMENSIONS WITH NO ADDITIONAL PAYMENT.
- PRECAST TOEWALLS SHALL BE CL. #A CONCRETE; CAST-IN-PLACE TOEWALLS MAY BE CL. #A OR #B CONCRETE AND MAY BE TRENCH FORMED. WHERE PLANS ITEMIZE ONE CLASS OF CONCRETE AND CONTRACTOR ELECTS TO USE OTHER CLASS, NO ADDITIONAL PAYMENT IS MADE. NO PAYMENT IS MADE FOR STEEL IN TOEWALL.
- CENTERLINE OF FLARED END SECTION WILL ALIGN WITH CENTERLINE OF PIPE, IF PIPE IS SKEWED, THE EMBANKMENT SLOPE WILL BE WARPED TO CONFORM WITH END SECTION.
- FLEXIBLE DELINEATORS SHALL BE REQUIRED AT CROSS DRAIN FLARED END SECTIONS, BOTH INLET AND OUTLET. PAYMENT FOR FLARED END SECTION WILL INCLUDE DELINEATORS, SEE DETAIL AND NOTES BELOW. DELINEATORS NOT REQ'D. FOR SIDE DRAIN, SLOPE DRAIN, OR LONG PIPE.



NOTE: DELINEATOR POST SHALL CONFORM TO SEC. 911 FOR FLEXIBLE DELINEATOR POST EXCEPT REFLECTIVE SHEETING IS NOT REQUIRED AND LENGTH IS 4'-6" FROM TOP TO BOTTOM POINT. ALTERNATES PERMITTED IF APPROVED BY D.O.T. LABORATORY.

SPECIAL NOTE :
 PIPE SIZES (D) ARE 'NOMINAL-MINIMUM' INSIDE DIAMETERS IN ACCORDANCE WITH GEORGIA STANDARD FOR PIPE CULVERTS. 'D' DIMENSION FOR FLARED END SECTION SHALL EQUAL THE 'D' DIMENSION FOR CONNECTING PIPE CULVERT.

- NOTE 'B':
 THE CONNECTION BETWEEN METAL FLARED END SECTION AND C.M. PIPE WILL BE ONE OF THE FOLLOWING:
- A STRAP BAND OR THREADED ROD PROVIDED BY THE MANUFACTURER WILL LOCK END SECTION ONTO PIPE. A CORRUGATION AT THE PIPE AND WILL BE NON-SPIRALED (PERPENDICULAR TO CL OF PIPE)
 - A DIMPLE BAND COLLAR WILL BE SHOP BOLTED TO END SECTION. PIPE WILL BE INSERTED INTO BAND COLLAR TO MEET THE END SECTION.
 - A STUB PIPE WILL BE RIVITED TO THE END SECTION AND THE MAIN PIPE CONNECTED TO THE STUB WITH A NORMAL CONNECTING BAND.
 - OTHER TYPE CONNECTION IF RECOMMENDED BY MANUFACTURER AND APPROVED BY THE D.O.T.

| | | | | | | | |
|------------|--|-------------------|--|--|--|-------------|--|
| 6-9-06 | | DATE | | DEPARTMENT OF TRANSPORTATION | | | |
| | | | | STATE OF GEORGIA | | | |
| | | | | STANDARD FLARED END SECTIONS FOR PIPES | | | |
| | | | | NO SCALE | | | |
| | | | | REV. & REDR. SEPT., 1999 | | | |
| DES. _____ | | (SUBMITTED) _____ | | STATE ROAD & AIRPORT DESIGN ENGINEER | | NUMBER 1120 | |
| REV. _____ | | (APPROVED) _____ | | CHIEF ENGINEER | | | |
| CHK. _____ | | | | | | | |