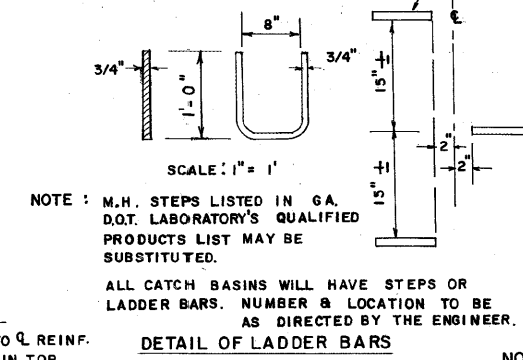
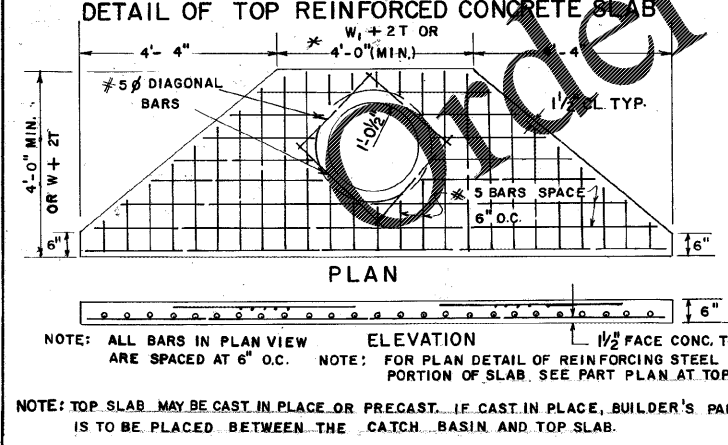
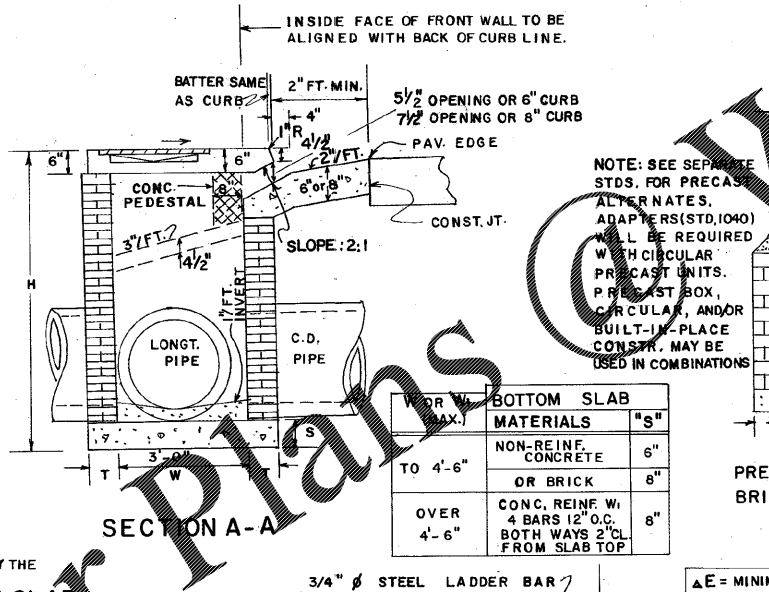
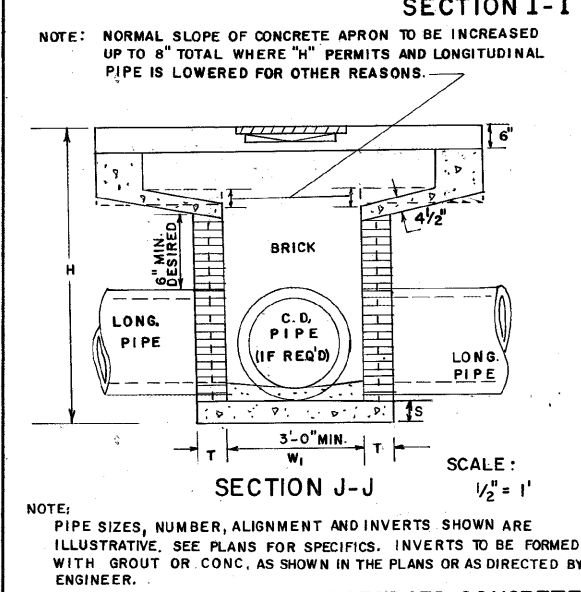
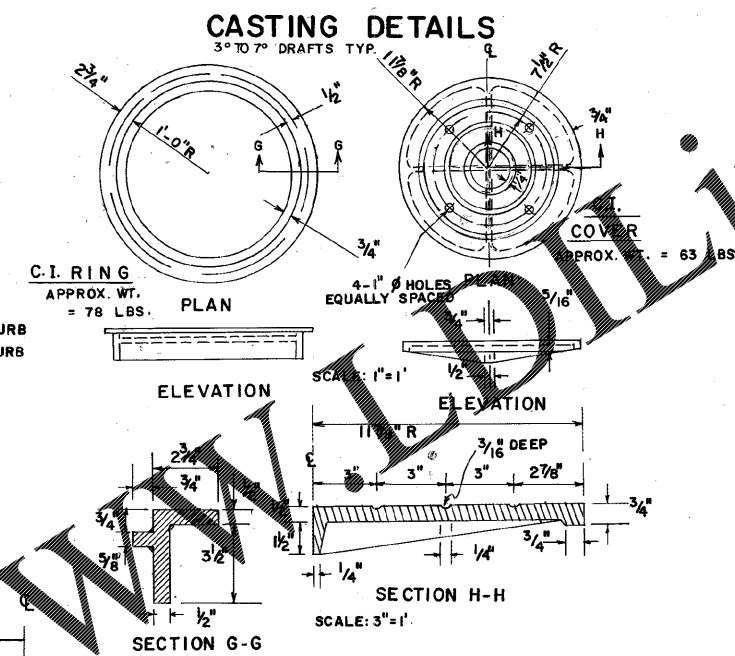
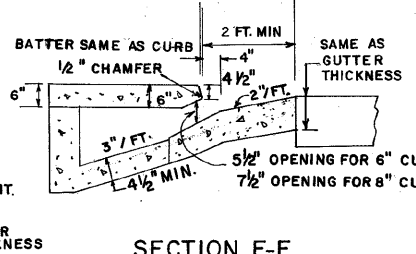
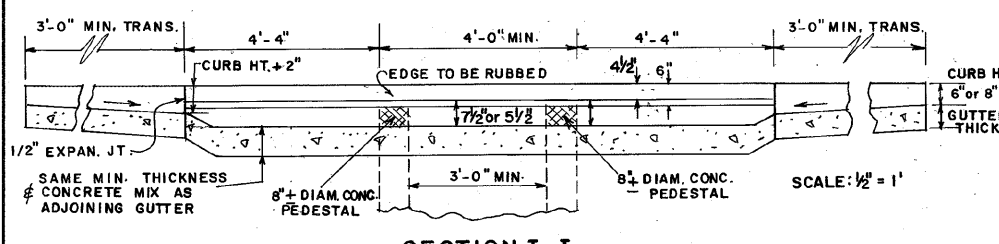
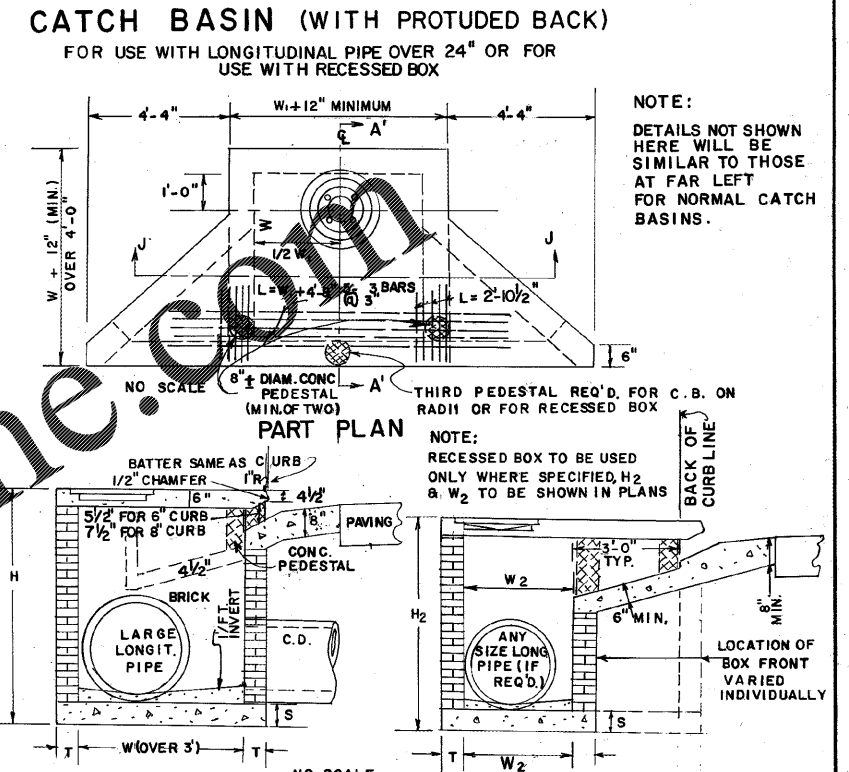
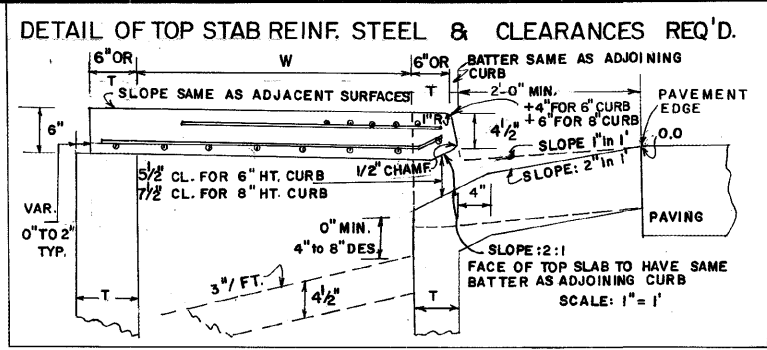
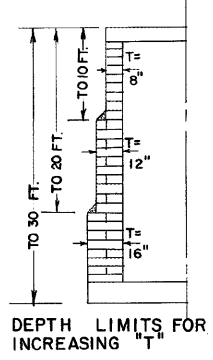
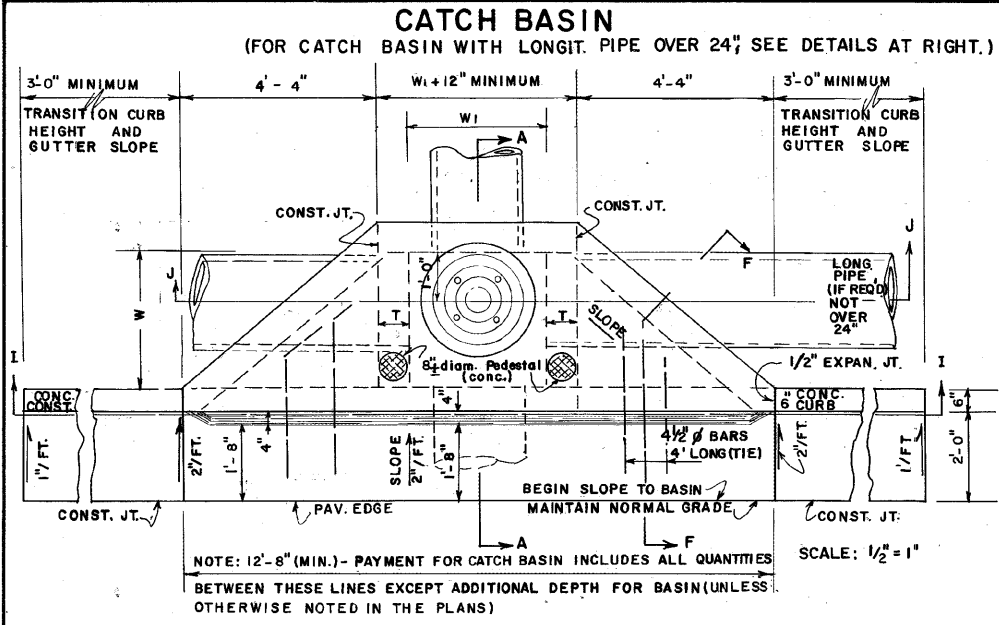


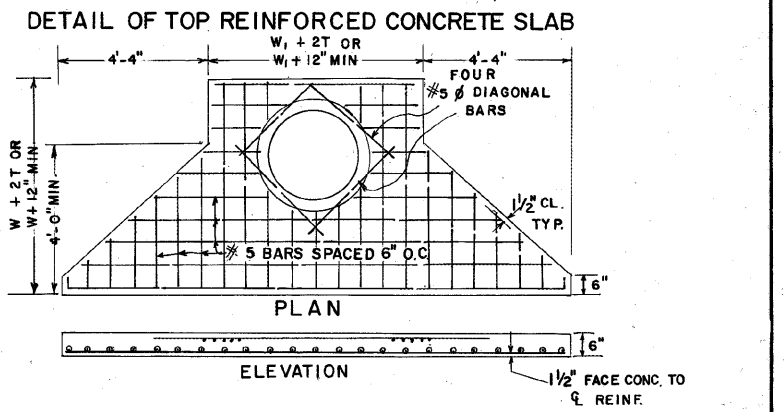
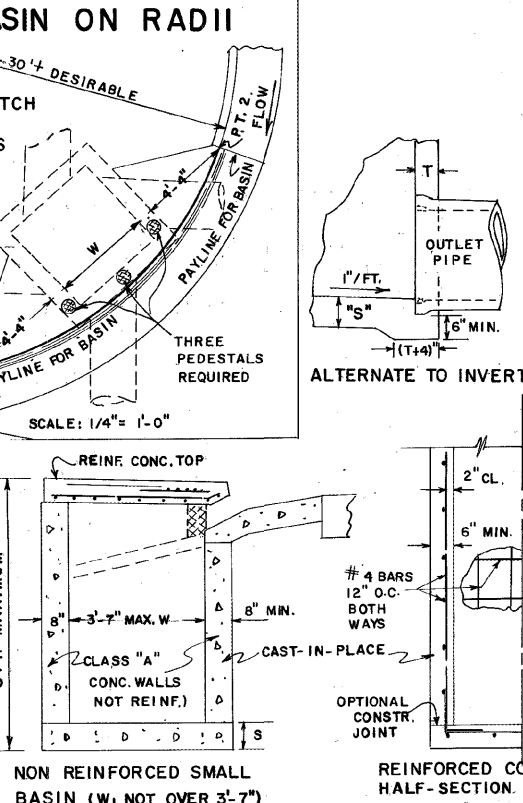
STATE	PROJECT NUMBER	SHEET NO.	TOTAL SHEETS
GA			



TYPICAL MIN. DIMENSIONS

PIPE DIA.	H (MIN.)	W or W ₁	MIN. ΔE
12	4'-4"	3'-0"	3'-3"
15	4'-7"	3'-0"	3'-6"
18	4'-10"	3'-0"	3'-9"
24	5'-6"	3'-0"	4'-4"
30	6'-2"	3'-7"	5'-0"
36	6'-10"	4'-6"	5'-7"
42	7'-4"	5'-3"	5'-11"
48	8'-0"	6'-0"	6'-6"
54	8'-6"	6'-8"	7'-0"
60	9'-2"	7'-4"	7'-7"

NOTE: THE MIN. H & MIN. ΔE GIVEN IN ABOVE TABLE ARE BASED UPON TYPICAL OUTSIDE DIAMETERS OF CONC. PIPE AND MAY BE VARIED, IF CONDITIONS PERMIT WITH VARIED DIMENSIONS SPECIFIED IN THE PLANS OR DIRECTED BY THE ENGINEER. W & W₁ DIMENSIONS DO NOT HAVE TO BE EQUAL.



DEPARTMENT OF TRANSPORTATION

STATE OF GEORGIA

STANDARD

CATCH BASINS

FOR USE WITH CURB (6" OR 8" HT.) & GUTTER (IN SAGS OR LOW POINTS)

SCALE AS SHOWN

REV. 8 REDR. R.M.U. (SUBMITTED) *Floyd E. Hardy*

TRA. G.M.E. (APPROVED) *Thomas D. Hardy*

CHK. R.K.C. (APPROVED) *Thomas D. Hardy*

STATE ROAD & AIRPORT DESIGN ENGR.

STATE HIGHWAY ENGINEER

REV. & RED. AUGUST, 19 82

NUMBER 1034D