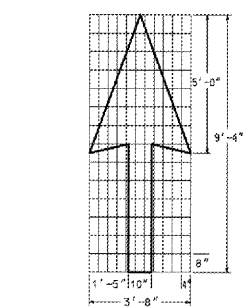
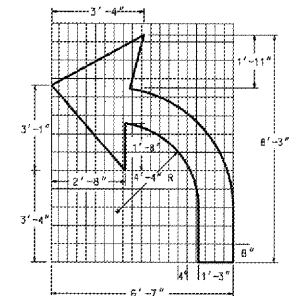


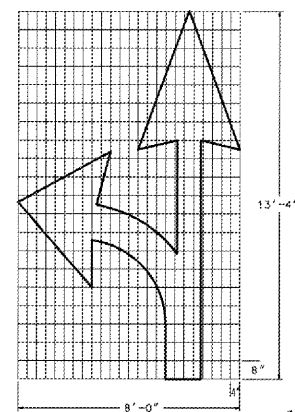
STATE	PROJECT NUMBER	SHEET NO.	TOTAL SHEETS
GA.			



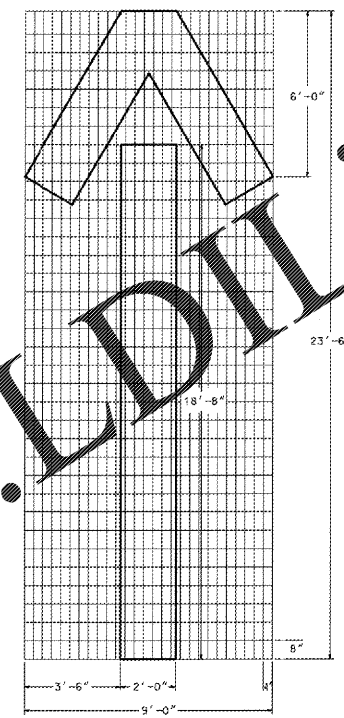
PAVEMENT MARKING, ARROW, TYPE 1  
WHITE  
(12.0 SQ. FT.)



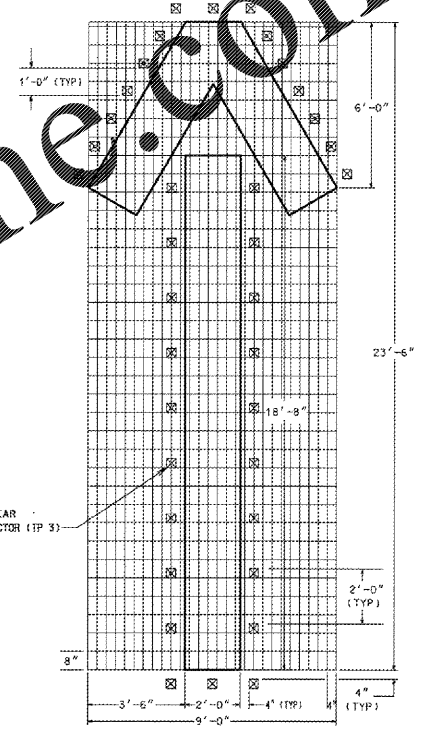
PAVEMENT MARKING, ARROW, TYPE 2  
WHITE  
(16.0 SQ. FT.)



PAVEMENT MARKING, ARROW, TYPE 3  
WHITE  
(28.5 SQ. FT.)

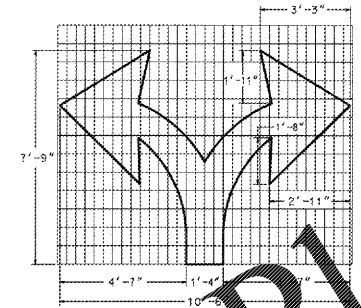


PAVEMENT MARKING, ARROW, TYPE 4  
WHITE  
(64.5 SQ. FT.)

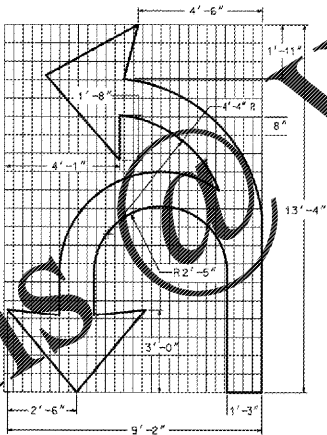


PAVEMENT MARKING, ARROW, WRONG WAY  
WHITE  
(64.5 SQ. FT.)

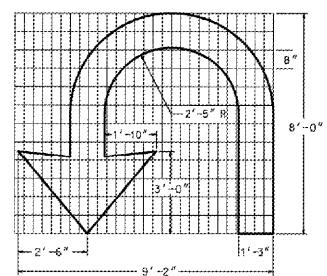
ARROW- WHITE REFLECTORIZED PAINT THERMOPLASTIC, AS SPECIFIED BY GEORGIA STANDARD SPECIFICATIONS, SECTION 655.



PAVEMENT MARKING, ARROW, TYPE 5  
WHITE  
(25.5 SQ. FT.)



PAVEMENT MARKING, ARROW, TYPE 6  
WHITE  
(42.0 SQ. FT.)



PAVEMENT MARKING, ARROW, TYPE 7  
WHITE  
(26.0 SQ. FT.)

DATE	REVISIONS	GEORGIA DEPARTMENT OF TRANSPORTATION OFFICE OF TRAFFIC SAFETY & DESIGN
4-11-00	CHANGED LOCATION OF REFLECTOR	

DETAILS OF  
PAVEMENT MARKINGS-ARROWS  
NO SCALE JANUARY 2000

T-12B

Order Plans @ www.LDILine.com

**INFRASTRUCTURE**  
CONSULTING & ENGINEERING  
4940 PEACHTREE INDUSTRIAL BLVD., SUITE 310  
NORCROSS, GEORGIA 30071

NOT TO SCALE

REVISION DATES

**CONSTRUCTION DETAILS**  
**SR 18 BRIDGE REPLACEMENT @ LONG CAME CREEK**  
**TROUP COUNTY**

CHECKED:	DATE:	DRAWING No.
BACKCHECKED:	DATE:	
CORRECTED:	DATE:	
VERIFIED:	DATE:	

40-0022