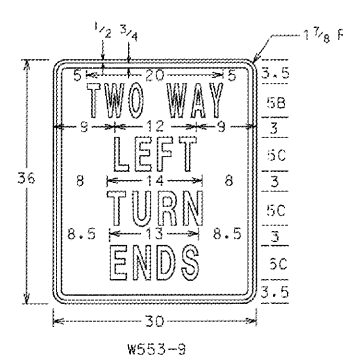
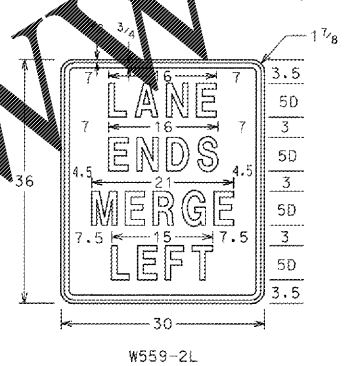
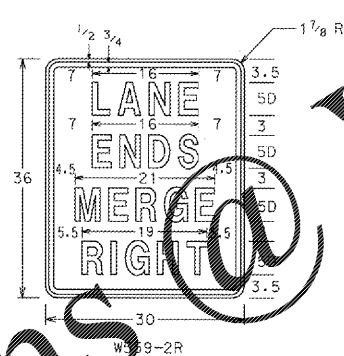
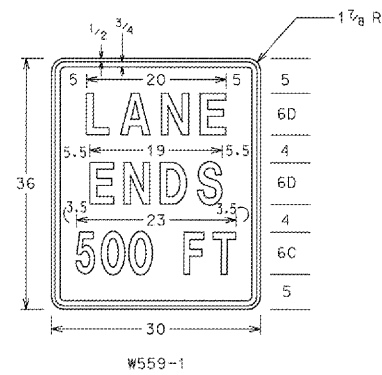
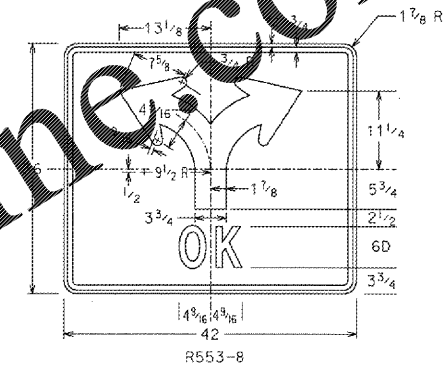
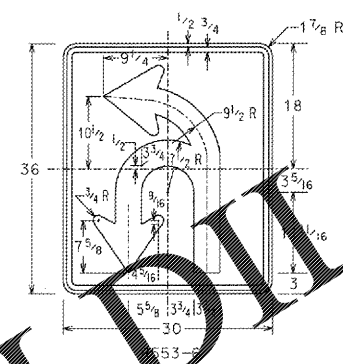
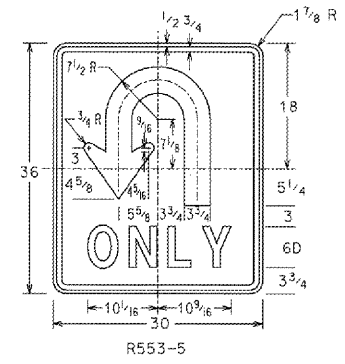
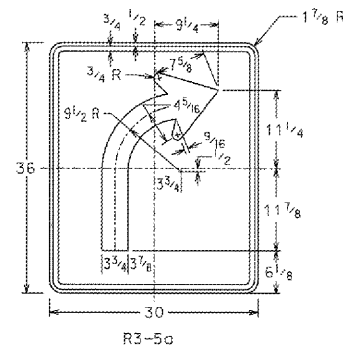
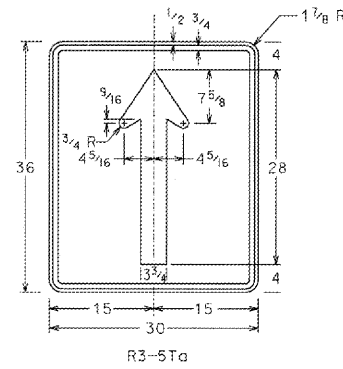


STATE	PROJECT NUMBER	SHEET TOTAL
GA.		NO. SHEETS



GENERAL NOTES:

1. R SIGNS SHALL HAVE WHITE REFLECTORIZED BACKGROUNDS WITH BLACK LEGENDS, BORDERS, AND SYMBOLS.
2. W SIGNS SHALL HAVE YELLOW REFLECTORIZED BACKGROUNDS WITH BLACK LEGENDS AND BORDERS.
3. ALL DIMENSIONS ARE IN INCHES.

DATE	REVISIONS	GEORGIA DEPARTMENT OF TRANSPORTATION OFFICE OF TRAFFIC SAFETY & DESIGN
		DETAILS OF OVERHEAD SIGNS
		NO SCALE JANUARY 2000

T-6

Order Plans @ WWW.LDILine.com

INFRASTRUCTURE
CONSULTING & ENGINEERING
4940 PEACHTREE INDUSTRIAL BLVD., SUITE 310
NORCROSS, GEORGIA 30071

NOT TO SCALE

REVISION DATES

CONSTRUCTION DETAILS
SR 18 BRIDGE REPLACEMENT @ LONG CAME CREEK
TROUP COUNTY

CHECKED:	DATE:	DRAWING No.
BACKCHECKED:	DATE:	
CORRECTED:	DATE:	
VERIFIED:	DATE:	40-0017