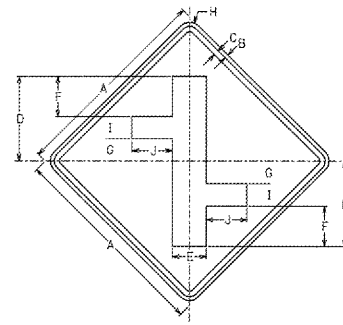
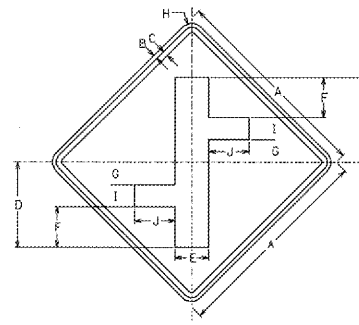


STATE	PROJECT NUMBER	SHEET NO.	TOTAL SHEETS
GA.			



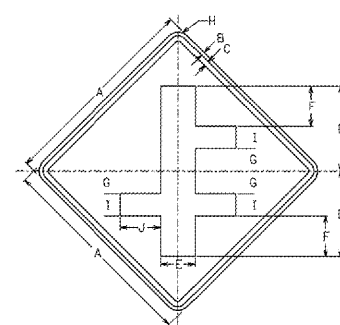
W552-1

SIGN	DIMENSIONS (INCHES)									
	A	B	C	D	E	F	G	H	I	J
STD & MIN	30	1/2	3/4	12 1/2	5	6	3 1/4	1 1/8	3 1/4	6
EXPWY	36	5/8	7/8	15	6	7	4	2 1/4	4	7
FWY	48	7/8	1 1/4	20	8	9 1/2	5 1/4	3	5 1/4	9 1/2



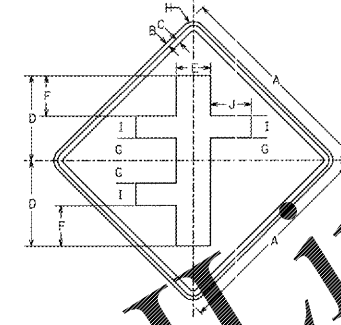
W552-2

SIGN	DIMENSIONS (INCHES)									
	A	B	C	D	E	F	G	H	I	J
STD & MIN	30	1/2	3/4	12 1/2	5	6	3 1/4	1 1/8	3 1/4	6
EXPWY	36	5/8	7/8	15	6	7	4	2 1/4	4	7
FWY	48	7/8	1 1/4	20	8	9 1/2	5 1/4	3	5 1/4	9 1/2



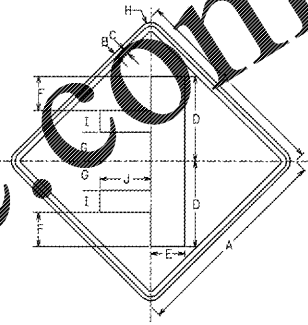
W552-3

SIGN	DIMENSIONS (INCHES)									
	A	B	C	D	E	F	G	H	I	J
STD & MIN	30	1/2	3/4	12 1/2	5	6	3 1/4	1 1/8	3 1/4	6
EXPWY	36	5/8	7/8	15	6	7	4	2 1/4	4	7
FWY	48	7/8	1 1/4	20	8	9 1/2	5 1/4	3	5 1/4	9 1/2



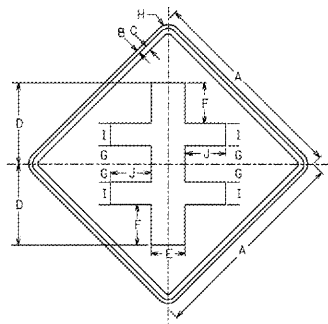
W552-4

SIGN	DIMENSIONS (INCHES)									
	A	B	C	D	E	F	G	H	I	J
STD & MIN	30	1/2	3/4	12 1/2	5	6	3 1/4	1 1/8	3 1/4	6
EXPWY	36	5/8	7/8	15	6	7	4	2 1/4	4	7
FWY	48	7/8	1 1/4	20	8	9 1/2	5 1/4	3	5 1/4	9 1/2



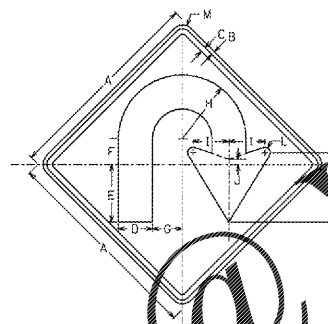
W552-5

SIGN	DIMENSIONS (INCHES)									
	A	B	C	D	E	F	G	H	I	J
STD & MIN	30	1/2	3/4	12 1/2	5	5	4 1/4	1 1/4	3 1/4	8
EXPWY	36	5/8	7/8	15	6	6	5	2 1/4	4	10
FWY	48	7/8	1 1/4	20	8	8	6 1/4	3	5 1/4	12



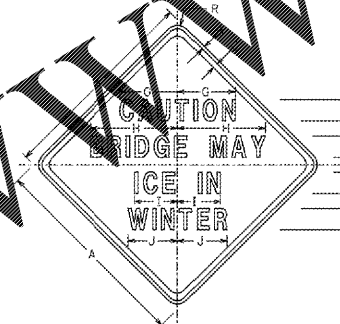
W552-6

SIGN	DIMENSIONS (INCHES)									
	A	B	C	D	E	F	G	H	I	J
STD & MIN	30	1/2	3/4	12 1/2	5	5	3 1/4	1 1/4	3 1/4	6
EXPWY	36	5/8	7/8	15	6	7	4	2 1/4	4	7
FWY	48	7/8	1 1/4	20	8	9 1/2	5 1/4	3	5 1/4	9 1/2



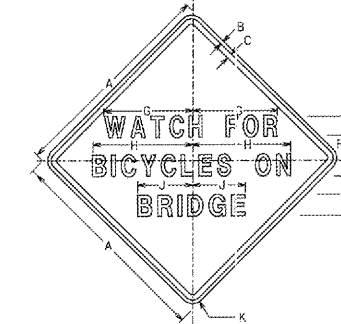
W551

SIGN	DIMENSIONS (INCHES)												
	A	B	C	D	E	F	G	H	I	J	K	L	M
STD & MIN	30	1/2	3/4	12 1/2	5	8 1/2	3 1/4	4 1/4	3 1/4	3 1/4	1 1/8	3 1/4	1 1/8
EXPWY	36	5/8	7/8	15	6	10	4 1/2	5 1/4	4 1/4	4 1/4	2 1/8	4 1/4	2 1/8
FWY	48	7/8	1 1/4	20	8	13 1/2	6	7	5 1/4	5 1/4	2 1/4	5 1/4	3



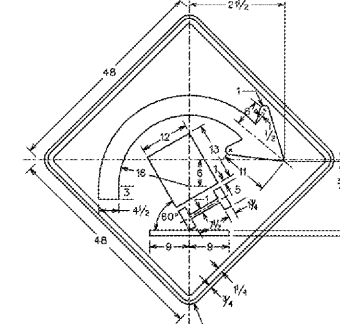
W560-1

SIGN	DIMENSIONS (INCHES)													
	A	B	C	D	E	F	G	H	I	J	K	L	M	N
MIN & STD	30	1/2	3/4	30	2 1/2	1 1/2	8	12 1/2	6	7	1 1/8			
EXPWY	36	5/8	7/8	40	2 1/2	1 1/2	11	16 1/2	8	9	2 1/4			
FWY	48	7/8	1 1/4	50	3 1/2	1 3/4	13 1/2	20 1/2	10	11 1/2	3			



W560-2

SIGN	DIMENSIONS (INCHES)									
	A	B	C	D	E	F	G	H	J	K
MIN & STD	30	1/2	3/4	30	1 1/2	1 3/8	9 1/2	11 1/2	6	1 1/8
EXPWY	36	5/8	7/8	40	1 1/2	1 3/8	11 1/2	13 1/2	7 1/2	2 1/4



W560-3

SIGNS SHALL HAVE YELLOW REFLECTORIZED BACKGROUNDS WITH BLACK LEGENDS, BORDERS, AND SYMBOLS.

DATE	REVISIONS	GEORGIA DEPARTMENT OF TRANSPORTATION OFFICE OF TRAFFIC SAFETY & DESIGN
		DETAILS OF WARNING SIGNS
		NO SCALE JANUARY 2000

Order Plans @ WWW.LDLINE.com