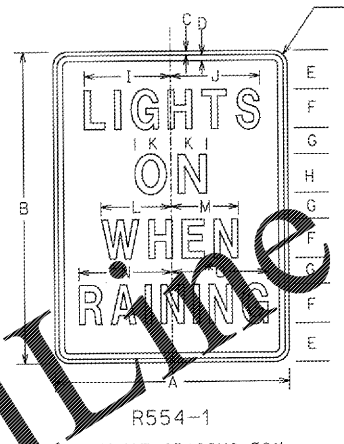
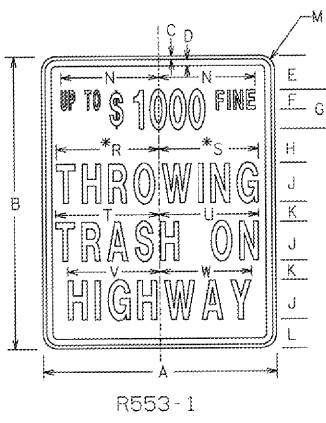
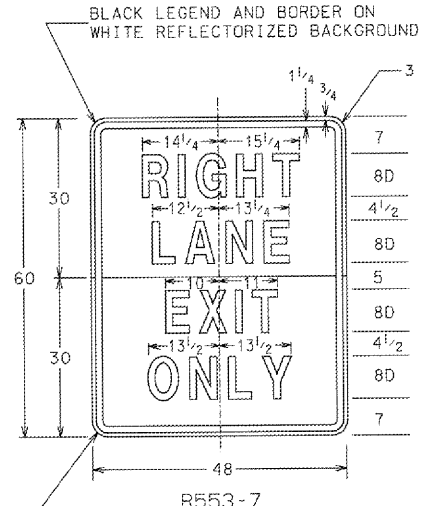
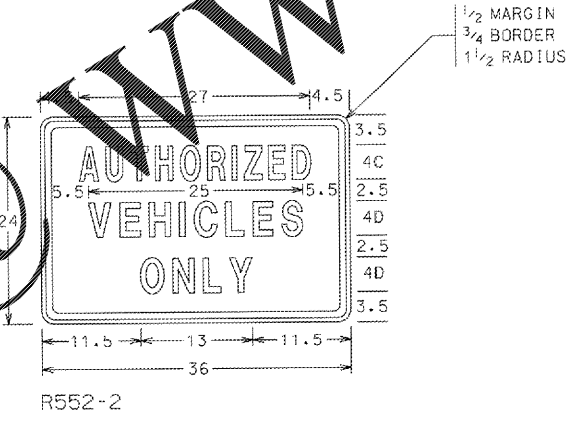
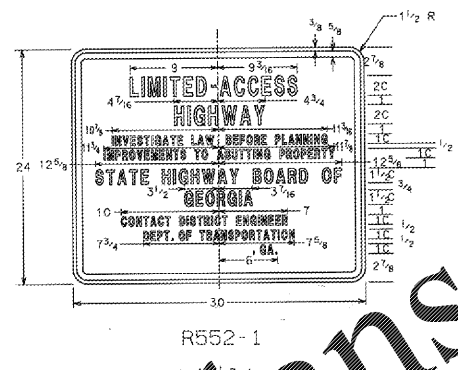


STATE	PROJECT NUMBER	SHEET NO.	TOTAL SHEETS
GA.			



SIGN	DIMENSIONS (INCHES)																		
	A	B	C	D	E	F	G	H	J	K	L	M	N	R	S	T	U	V	W
STD & MIN	24	30	3/8	5/8	3 1/2	28	4C	3 1/2	4C	2	3	1 1/2	10	10 1/2	10 1/4	10 3/4	9 3/8	9 1/2	
EXPWY	36	48	5/8	7/8	6	38	6C	6	6C	3	6	2 1/4	15	15 3/4	15 1/2	16 1/2	14 3/8	14 1/4	
FWY	48	60	3/4	1 1/4	7	48	7C	8	8C	4	6	3	20	21	21 1/2	20 3/4	18 3/4	19	

SIGN	DIMENSIONS (INCHES)																
	A	B	C	D	E	F	G	H	I	J	K	L	M	N	D	P	
STD & MIN	24	30	3/8	5/8	3 1/2	4D	2 1/2	4E	8 3/4	9 1/2	4	6 3/4	7 1/2	9 1/4	9 3/4	1 1/2	
EXPWY	36	48	5/8	7/8	6	6D	4	6E	13 3/4	15 1/2	10 1/4	10 1/2	14 1/4	14 3/4	2 1/4		
FWY	48	60	3/4	1 1/4	7	8D	4 1/2	8E	17 3/8	17 3/4	7	14 3/8	13 3/8	18 3/8	19 3/8		



Order Plans @ www.LDILLINE.com

DATE	REVISIONS	GEORGIA DEPARTMENT OF TRANSPORTATION OFFICE OF TRAFFIC SAFETY & DESIGN
		DETAILS OF REGULATORY SIGNS SHEET 2 OF 2
		ND SCALE JANUARY 2000

T-5B

REVISION DATES

CONSTRUCTION DETAILS
SR 18 BRIDGE REPLACEMENT @ LONG CAME CREEK
TROUP COUNTY

CHECKED:	DATE:	DRAWING No.
BACKCHECKED:	DATE:	40-0015
CORRECTED:	DATE:	
VERIFIED:	DATE:	