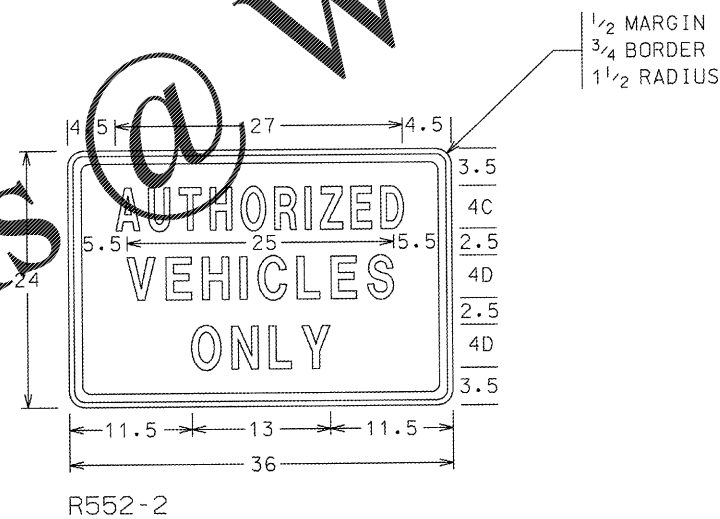
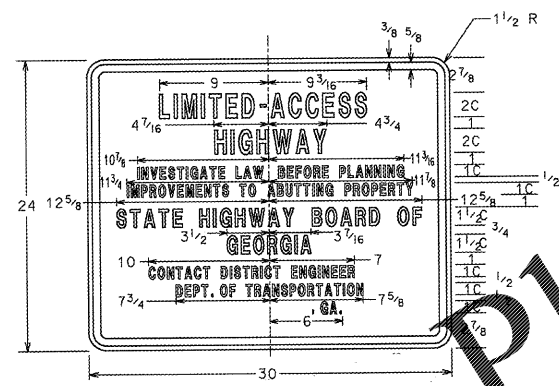


BLACK LEGEND AND BORDER ON YELLOW REFLECTORIZED BACKGROUND

SIGN	DIMENSIONS (INCHES)																
	A	B	C	D	E	F	G	H	J	K	L	M	N	R	S	T	V
STD & MIN	24	30	3/8	5/8	3 1/2	2B	4C	3 1/2	4C	2	3	1 1/2	10	10 1/2	10 1/4	10 3/4	9 1/2
EXPWY	36	48	5/8	7/8	6	3B	6C	6	6C	3	6	2 1/4	15	15 3/4	15 1/2	15 3/4	14 1/2
FWY	48	60	3/4	1 1/4	7	4B	7C	8	8C	4	6	3	20	21	21 1/2	21 1/2	19 1/2

SIGN	DIMENSIONS (INCHES)															
	A	B	C	D	E	F	G	H	I	J	K	L	M	N	O	P
STD & MIN	24	30	3/8	5/8	3 5/8	4D	2 1/4	4E	8 3/4	9 1/4	4	6 3/4	7 1/4	9 1/4	9 3/4	1 1/2
EXPWY	36	48	5/8	7/8	6	6D	4	6E	13 1/4	13 3/4	5 1/2	10 3/4	10 1/4	14 1/4	14 3/4	2 1/4
FWY	48	60	3/4	1 1/4	7 1/4	8D	4 1/2	8E	17 1/8	17 3/8	7	14 3/8	13 3/8	18 3/8	19 3/8	3



Order Plans @ WWW.LDILLINE.COM

DATE	REVISIONS	GEORGIA DEPARTMENT OF TRANSPORTATION OFFICE OF TRAFFIC SAFETY & DESIGN
		DETAILS OF REGULATORY SIGNS SHEET 2 OF 2
		NO SCALE JANUARY 2000