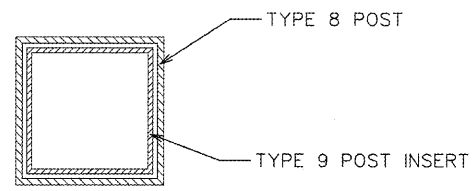
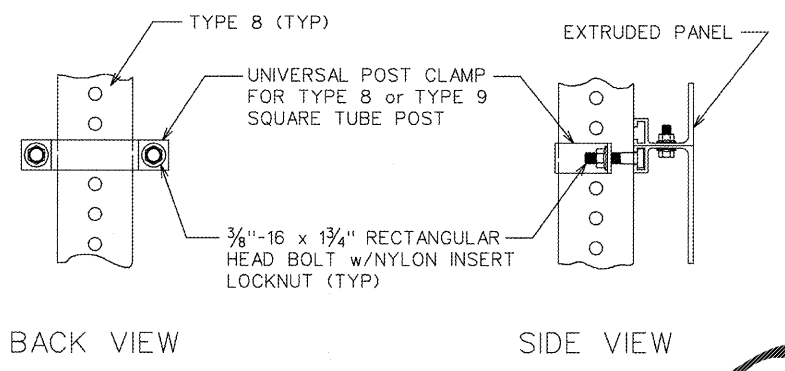


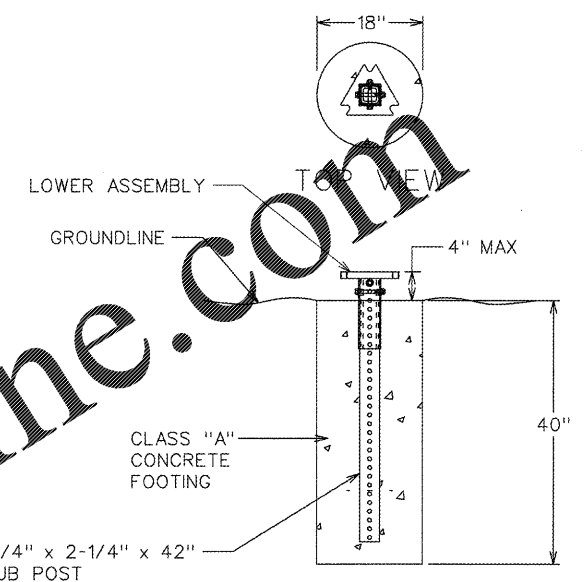
BACK VIEW



SECTION A-A



DETAIL A



DETAIL B  
GROUND MOUNTED BREAKAWAY SIGN SUPPORT

SIGN POST SELECTION CHART

70 MPH Wind Load Chart + 15% Gust Factor

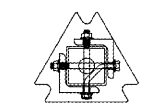
Sign Centroid	SLIP BASE NOT REQUIRED			GROUND MOUNTED BREAKAWAY SIGN SUPPORT REQUIRED					
	TYPE 7 2" x 1 1/4" ga.	TYPE 9 2 1/4" x 1 1/4" ga.	TYPE 8 2 1/2" x 1 1/4" ga.	TYPE 8 2 1/2" x 1 1/2" ga.			TYPE 8 w / TYPE 9 Insert* 2 1/2" x 1 1/2" ga. W / 2 1/4" x 1 1/4" 14 ga.		
	1 Post	2 Post	1 Post	2 Post	3 Post	1 Post	2 Post	3 Post	
6'	13.50	28.00	19.75	60.00	90.00	49.25	98.50	147.75	
7'	11.60	25.20	17.50	51.50	77.25	42.25	84.50	126.75	
8'	10.15	20.30	14.45	45.10	67.65	37.00	74.00	111.00	
9'	9.00	18.00	12.65	40.00	60.00	32.85	65.70	98.55	
10'	8.10	16.20	11.55	36.00	54.00	29.55	59.10	88.65	
11'	7.40	14.80	10.50	32.80	49.20	26.90	53.80	80.70	
12'	6.80	13.60	9.65	30.00	45.00	24.65	49.30	73.95	
13'	6.25	12.50	8.90	27.70	41.55	22.75	45.50	68.25	
14'	5.80	11.60	8.25	25.80	38.70	21.15	42.30	63.45	
15'	5.00	10.00	6.45	20.20	30.30	16.55	33.10	49.65	
16'	4.70	9.40	6.05	18.90	28.35	15.50	31.00	46.50	
17'	4.40	8.80	5.70	17.80	26.70	14.60	29.20	43.80	
18'	4.15	8.30	5.40	16.80	25.20	13.80	27.60	41.40	
19'	3.95	7.90	5.10	15.90	23.85	13.05	26.10	39.15	
20'	3.75	7.50	4.85	15.10	22.65	12.40	24.80	37.20	

SIGN CENTROID IS DISTANCE FROM GROUND LEVEL TO BOTTOM OF SIGN PLUS HALF THE HEIGHT OF SIGN.  
 EXAMPLE: 24" X 48" SIGN THAT IS 7 FEET FROM GROUND TO BOTTOM OF SIGN. ADD HALF OF 48" (24" OR 2 FT) PLUS 7 FT. = 9' CENTROID.

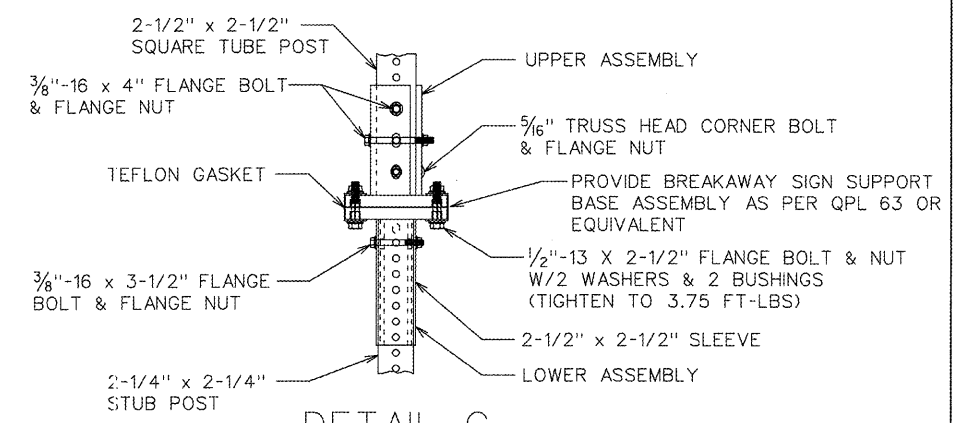
SIGN PLATE SHALL NOT EXCEED 48" IN WIDTH ON A SINGLE POST.

\* TYPE 9 INSERT SHALL BE A CONTINUOUS POST INSERTED INTO THE TYPE 8 POST WHERE REQUIRED. THE INSERT POST SHALL EXTEND FROM THE BOTTOM OF THE SLIP BASE UPPER ASSEMBLY TO 4" BELOW THE BOTTOM OF THE SIGN. THE INSERT POST SHALL NOT EXTEND ABOVE THE BOTTOM OF THE SIGN. PAYMENT FOR THE INSERT POST SHALL BE PER LINEAR FOOT OF TYPE 9 POST.

GROUND MOUNTED BREAKAWAY SIGN SUPPORT WILL BE MEASURED AND PAID FOR SEPARATELY. THE COST FOR THIS WORK SHALL INCLUDE THE UPPER AND LOWER ASSEMBLY, STUB POST, CLASS "A" CONCRETE, ALL HARDWARE NECESSARY TO COMPLETE THE INSTALLATION, AND BE INCLUDED IN THE BID PRICE SUBMITTED FOR ITEM 636-3010.



TOP VIEW



DETAIL C  
(CONCRETE NOT SHOWN)

DATE	REVISIONS	GEORGIA DEPARTMENT OF TRANSPORTATION OFFICE OF TRAFFIC SAFETY & DESIGN
		DETAILS OF SQUARE TUBE POST (BREAKAWAY SIGN SUPPORT)
		NO SCALE July 2002

Order Plans @

WWW.LDILine.com