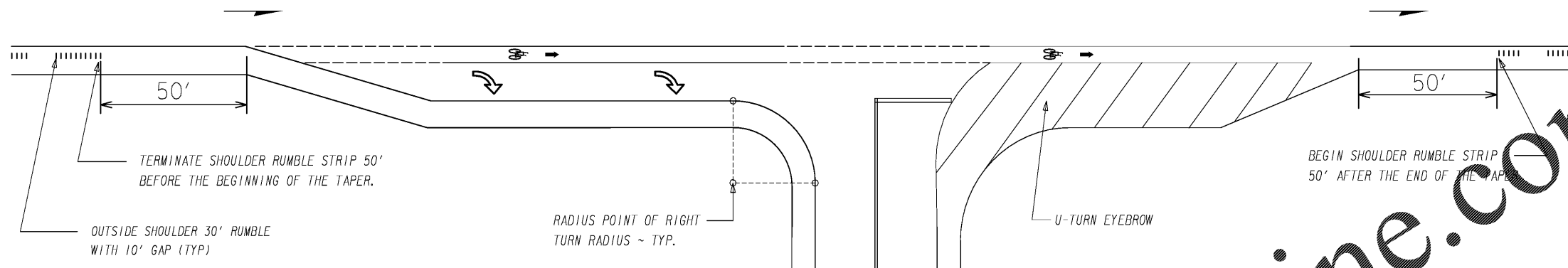
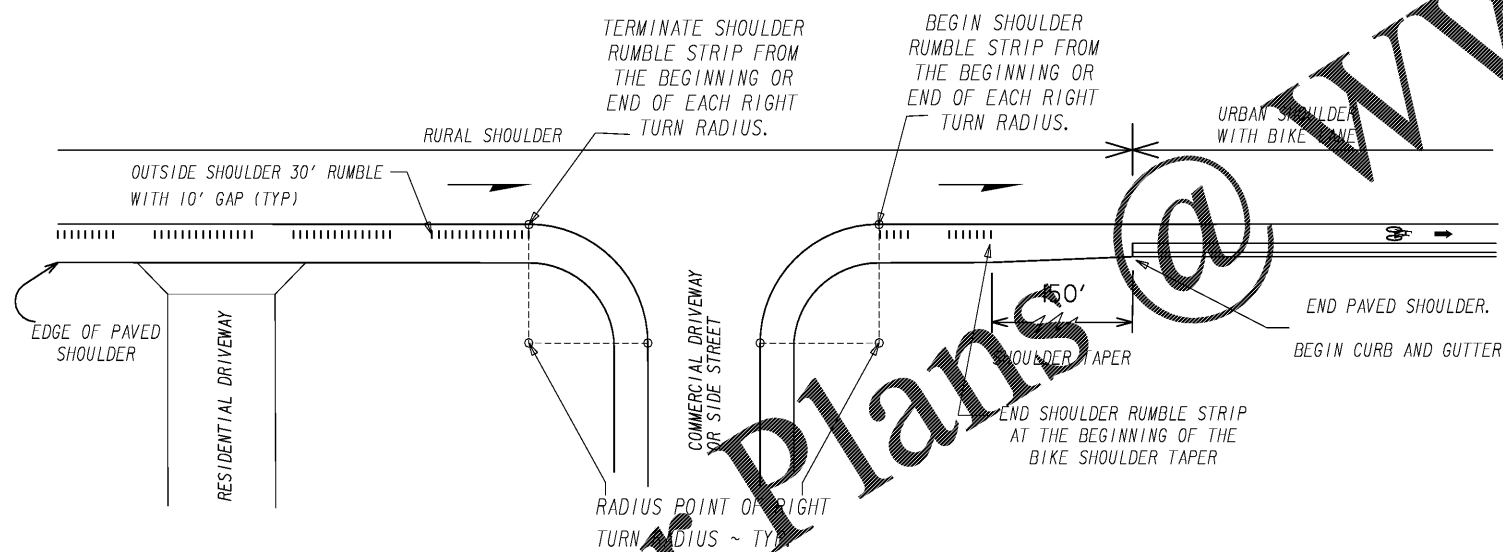


**OUTSIDE SHOULDER RUMBLE STRIP  
PLACEMENT AT INTERSECTIONS WITH  
RIGHT TURN LANES OR TURNING EYEBROWS**



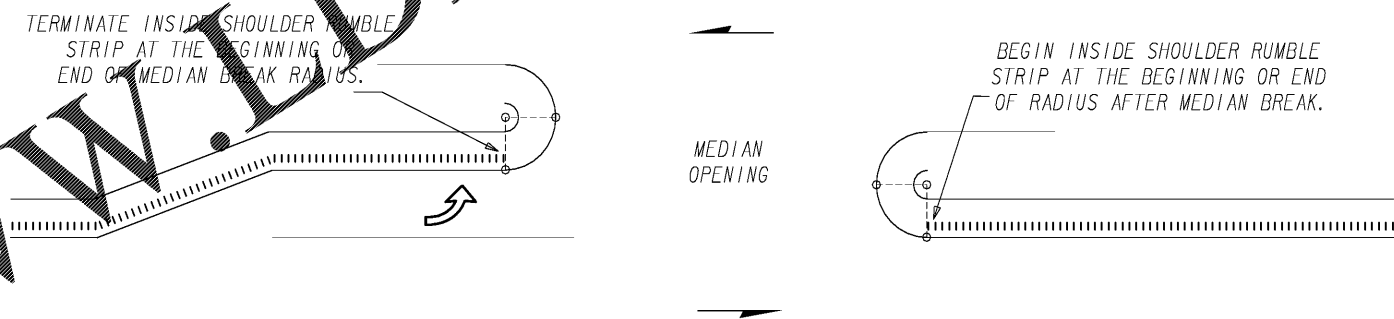
**OUTSIDE SHOULDER RUMBLE STRIP PLACEMENT AT DRIVEWAYS/  
SIDESTREETS AND TRANSITION FROM RURAL TO URBAN SHOULDER**



\* NOTES: SHOULDER RUMBLE STRIPS SHALL CONTINUE ON THE PAVED SHOULDER IN FRONT OF RESIDENTIAL DRIVEWAYS OR ANY DRIVEWAY WITHOUT A RADIUS.

IN RETROFIT SITUATIONS WHERE CONCRETE DRIVEWAYS TIE DIRECTLY INTO THE MAINLINE, DO NOT PLACE RUMBLE STRIPS ON THE DRIVEWAY.

**INSIDE SHOULDER RUMBLE STRIP PLACEMENT  
AT INTERSECTIONS WITH TURN LANES**



**INSIDE SHOULDER RUMBLE STRIP PLACEMENT  
AT INTERSECTIONS WITHOUT TURN LANES**



GENERAL NOTES:

REFER TO T-25 FOR RUMBLE STRIP DETAILS

DATE		DEPARTMENT OF TRANSPORTATION STATE OF GEORGIA	
REVISION		CONSTRUCTION DETAILS SHOULDER RUMBLE STRIP: NON-FREEWAY	
BY		NO SCALE	DATE: SEPTEMBER 2017
DESIGNED	_____	NUMBER <b>T-23B</b>	
DRAWN	_____		
TRACED	_____		
CHECKED	_____		