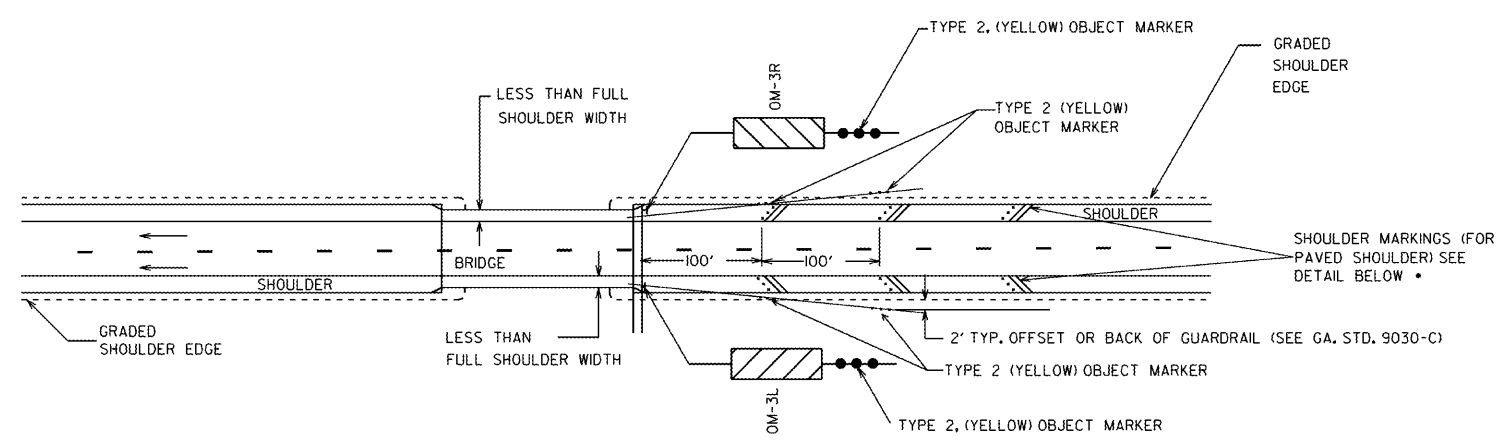
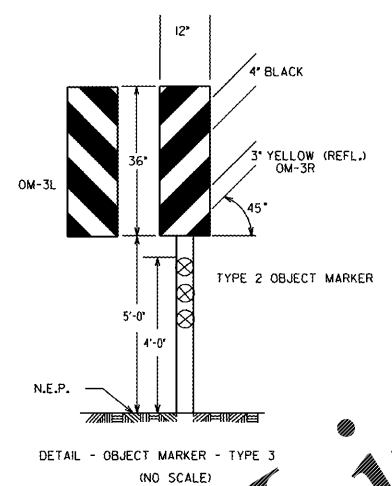


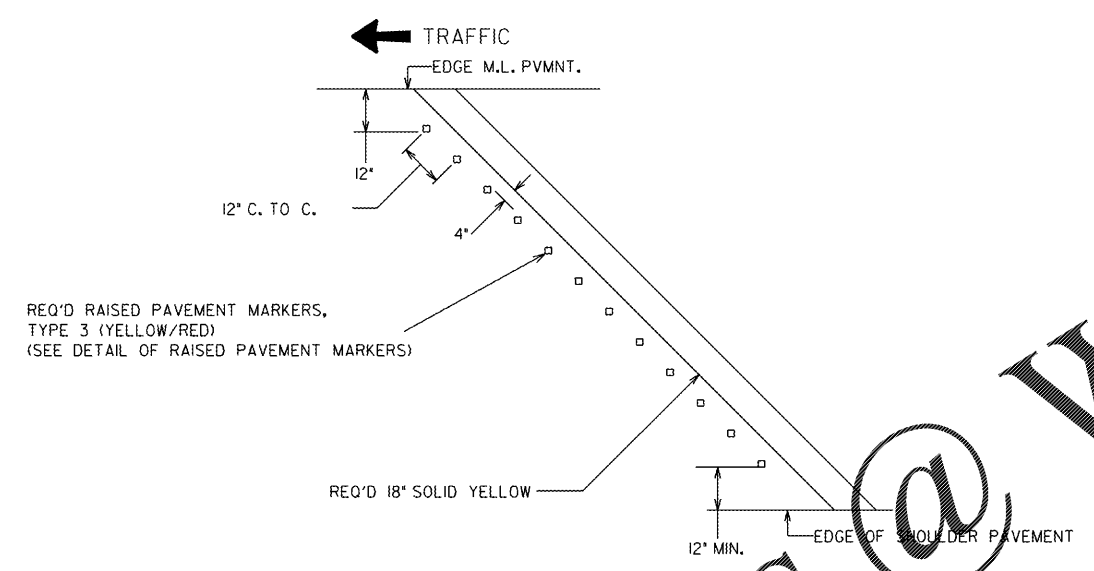
STATE	PROJECT NUMBER	SHEET NO.	TOTAL SHEETS
GA.			



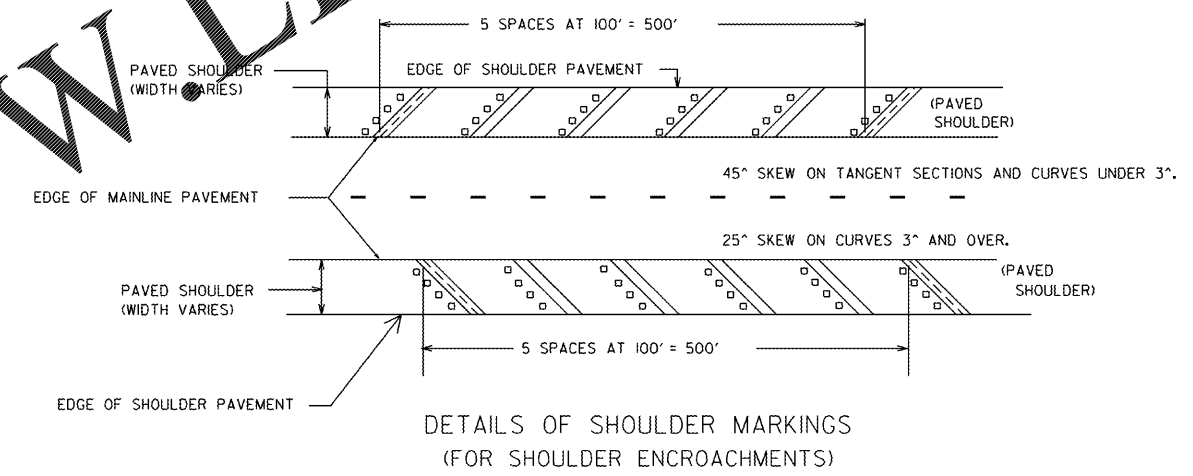
BRIDGE WITH LESS THAN STANDARD WIDTH



SUMMARY OF MATERIALS		
DESCRIPTION	UNIT	QUAN.
OBJECT MARKERS, TYPE IX SIGN MATERIAL 12" x 36" (BLACK ON YELLOW)	SQ. FT.	6.00
GALVANIZED STEEL POSTS, TYPE 2 11 LIN. FT. EACH	LIN. FT.	22
OBJECT MARKERS, TYPE 2, (YELLOW) (INCL. POST)	EACH	4
OBJECT MARKERS, TYPE 2, (YELLOW) (MOUNT ON OBJECT MARKER POSTS)	EACH	2
PERMOPLASTIC SOLID TRAFFIC STRIPE, 4" WHITE	LIN. FT.	VARIES
PAVED PAVEMENT MARKERS, TYPE 3	EACH	VARIES



TYPICAL MARKING FOR 10' PAVED INSIDE SHOULDER



DETAILS OF SHOULDER MARKINGS (FOR SHOULDER ENCROACHMENTS)

GENERAL NOTES:

- OBJECT MARKERS SHALL BE PLACED IN A STRAIGHT LINE FLARE WITH THE FIRST UNIT OFFSET AS SHOWN.
- ALL OBJECT MARKERS SHALL CONFORM TO GEORGIA STANDARD 9030-C AND SECTION 3D OF THE M.U.T.C.D. OBJECT MARKERS SHALL BE PER SECTION 3C OF THE M.U.T.C.D.
- REFLECTIVE SHEETING FOR OBJECT MARKERS SHALL BE TYPE IX.
- TREATMENT SHOWN IS MINIMAL. ADDITIONAL DELINEATION MAY BE ADDED AT THE ENGINEER'S DISCRETION.
- DELINEATION DETAILS APPLY WHERE BRIDGE WIDTH ON DIVIDED HIGHWAYS IS LESS THAN IS REQUIRED BY M.O.G. DIRECTIVE #4265. SHOULDER MARKINGS APPLY TO SAME IF SHOULDERS ARE PAVED.
- SEE GEORGIA STANDARD 9030-C FOR DELINEATION AT FULL WIDTH BRIDGES.
- DIAGONAL STRIPES SHALL BE WHITE ON OUTSIDE SHOULDER AND YELLOW ON INSIDE SHOULDER.
- TYPE 3 RAISED PAVEMENT MARKERS SHALL BE CLEAR/RED ON OUTSIDE SHOULDER AND YELLOW/RED ON INSIDE SHOULDER.
- CLEAR AND YELLOW FACE OF TYPE 3 RAISED PAVEMENT MARKERS SHALL BE ORIENTED TOWARD APPROACHING TRAFFIC.

SHOULDER WIDTH	LENGTH OF STRIPE		NO. OF RAISED PAVEMENT MARKERS		
	45° SKEW	25° SKEW	SHOULDER WIDTH	45° SKEW	25° SKEW
10' PAVED SHOULDER	14.14'	18.11'	10' PAVED SHOULDER	12 ea.	15 ea.
8' PAVED SHOULDER	11.31'	14.63'	8' PAVED SHOULDER	9 ea.	11 ea.
4' PAVED SHOULDER	5.66'	7.35'	4' PAVED SHOULDER	4 ea.	4 ea.

DATE	REVISIONS	GEORGIA DEPARTMENT OF TRANSPORTATION OFFICE OF TRAFFIC SAFETY & DESIGN
9-7-06	REVISED TITLE BLOCK AND REV. TYP. MARKING DETAIL	
		DETAILS FOR BRIDGE DELINEATION ON DIVIDED HIGHWAYS
		NO SCALE
		JANUARY 2000