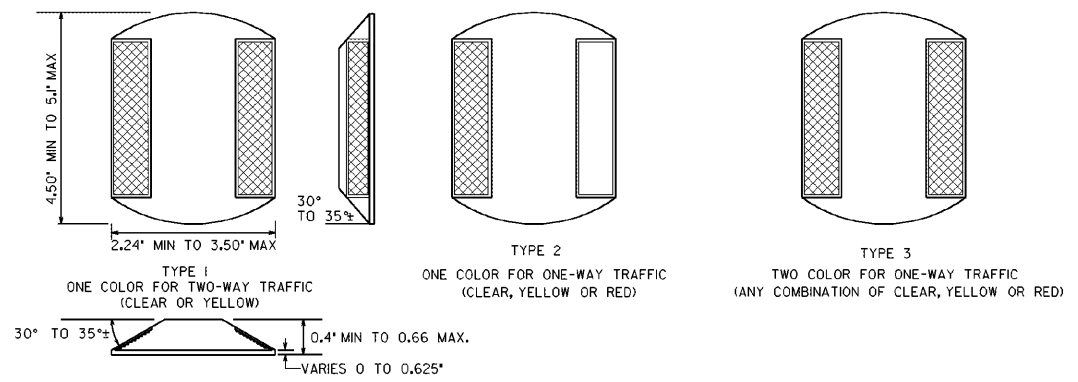
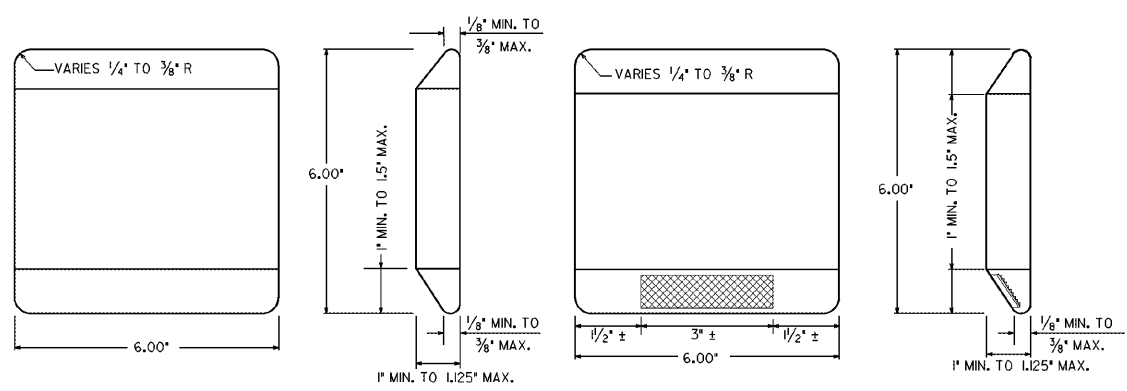
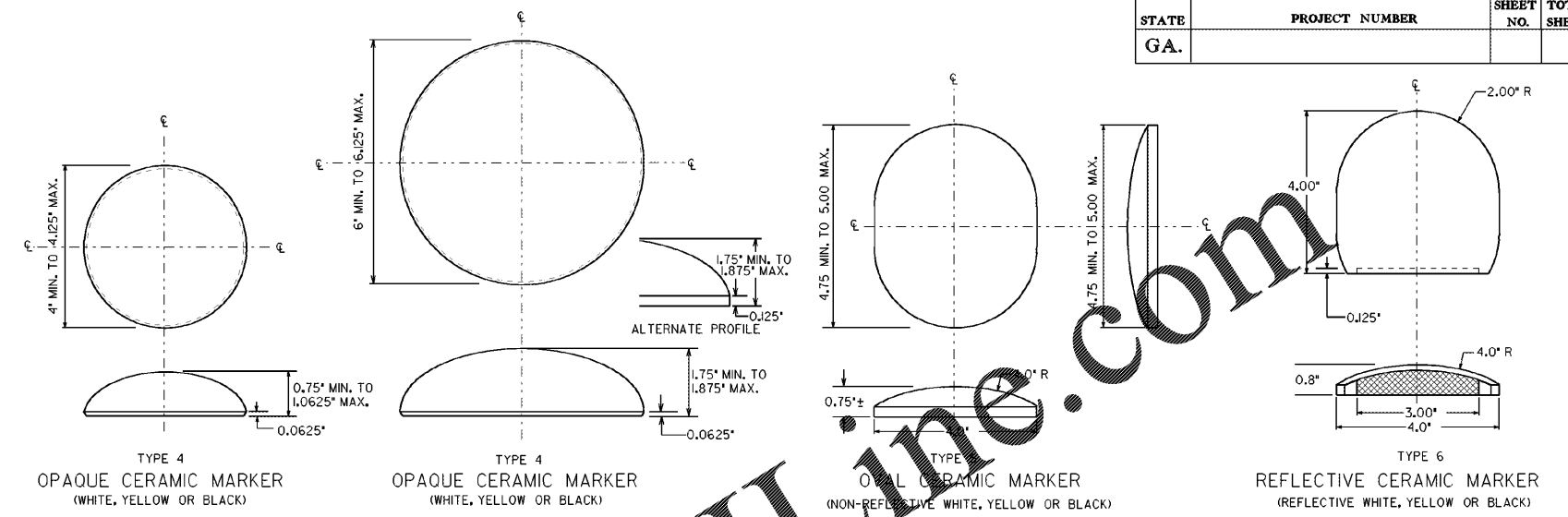


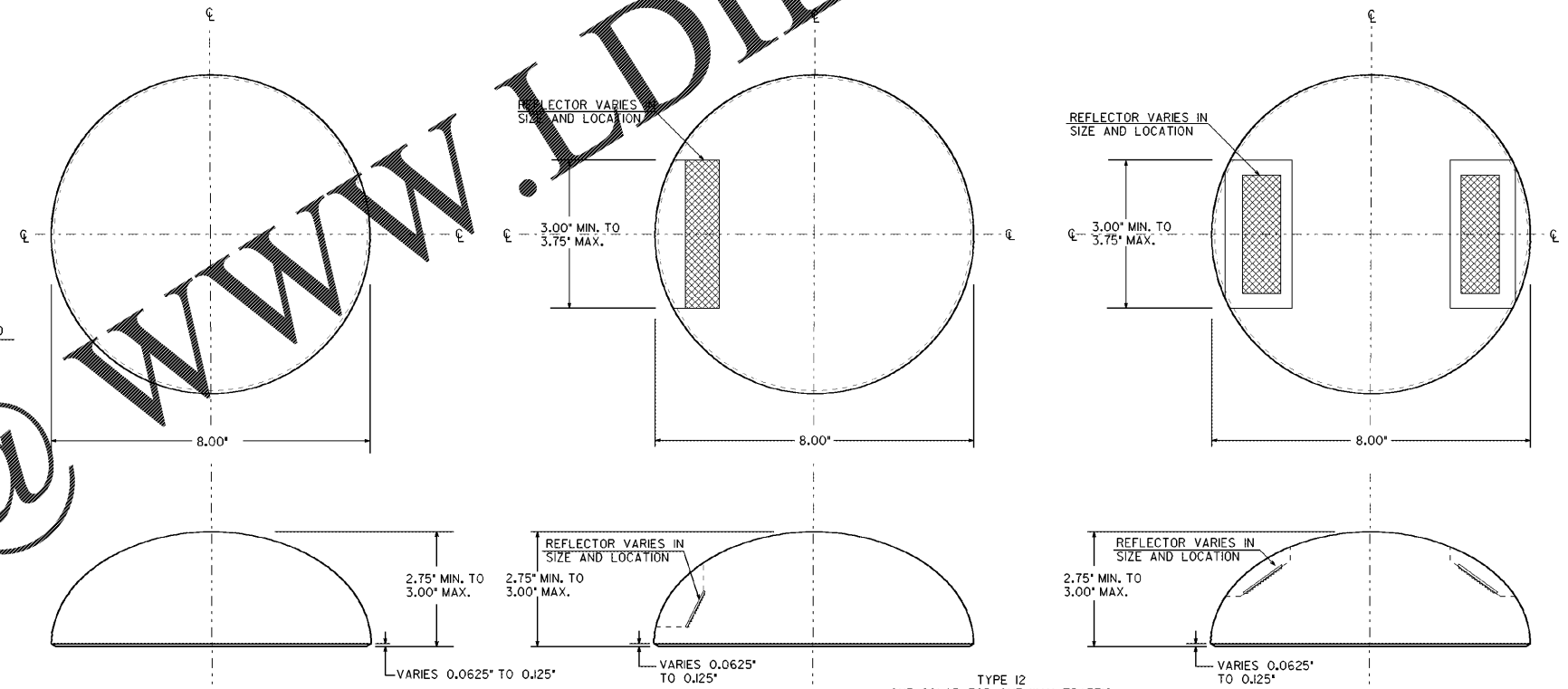
STATE	PROJECT NUMBER	SHEET NO.	TOTAL SHEETS
GA.			



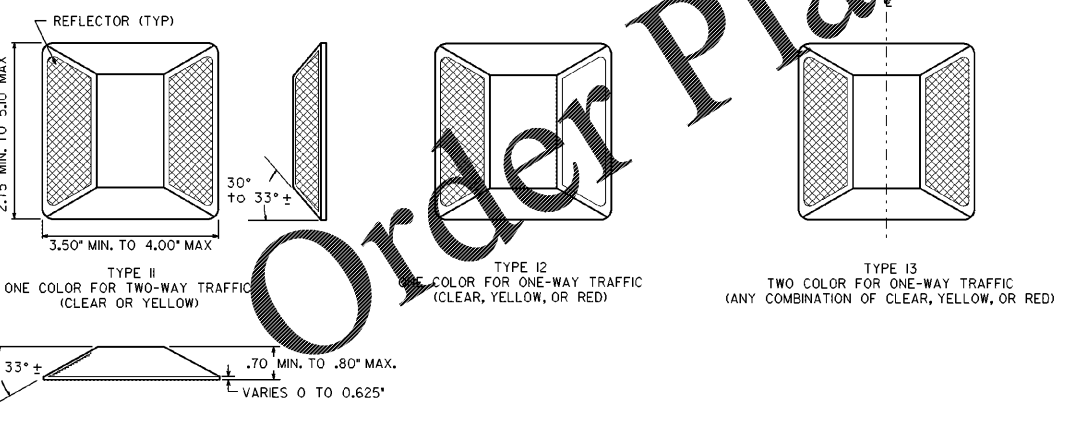
RAISED REFLECTIVE MARKERS



CERAMIC JIGGLE BAR MARKER



CERAMIC CHANNEL MARKER



ALTERNATE RAISED REFLECTIVE MARKERS

GENERAL NOTES:

1. SPECIFICATIONS: GEORGIA STANDARD, CURRENT EDITION, AND SUPPLEMENTS THERE TO.
2. THE CONTRACTOR SHALL USE RAISED PAVEMENT MAKER SOURCES AS LISTED IN OPL 76.
3. COLORS FOR REFLECTIVE ELEMENTS SHALL BE EITHER CLEAR, YELLOW, OR RED AS SPECIFIED.
4. THE SHELL OF THE REFLECTIVE MARKERS SHALL BE OF ONE COLOR OR OF A COMBINATION OF TWO COLORS, WHICH SHALL BE THE SAME AS THE REFLECTIVE ELEMENT.
5. THE SURFACE OF OPAQUE CERAMIC MARKERS SHALL BE GLAZED AND OF THE COLOR SPECIFIED IN THE PLANS WITH A WHITE, VITREOUS, CERAMIC BASE.
6. COLORS FOR ALL RAISED PAVEMENT MARKERS SHALL BE AS SPECIFIED IN THE PLANS.

DATE	REVISIONS	GEORGIA DEPARTMENT OF TRANSPORTATION OFFICE OF TRAFFIC SAFETY & DESIGN
9-22-11	REV. DIMENSIONS, ADDED NOTES TO MARKERS AND REV. GEN. NOTES.	
		DETAILS OF RAISED PAVEMENT MARKERS
		NO SCALE
		JANUARY 2000

Order Plans @

WWW.LDILINE.COM