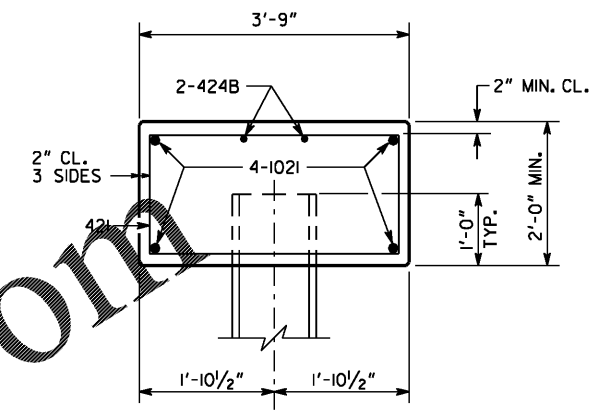


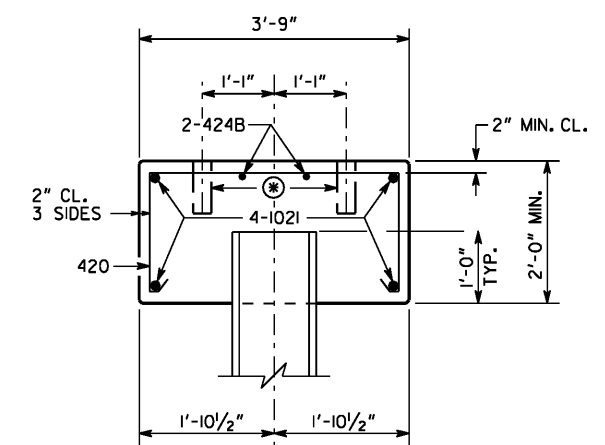
PLAN

INDICATES DIRECTION OF 1/2" : 12" BATTER



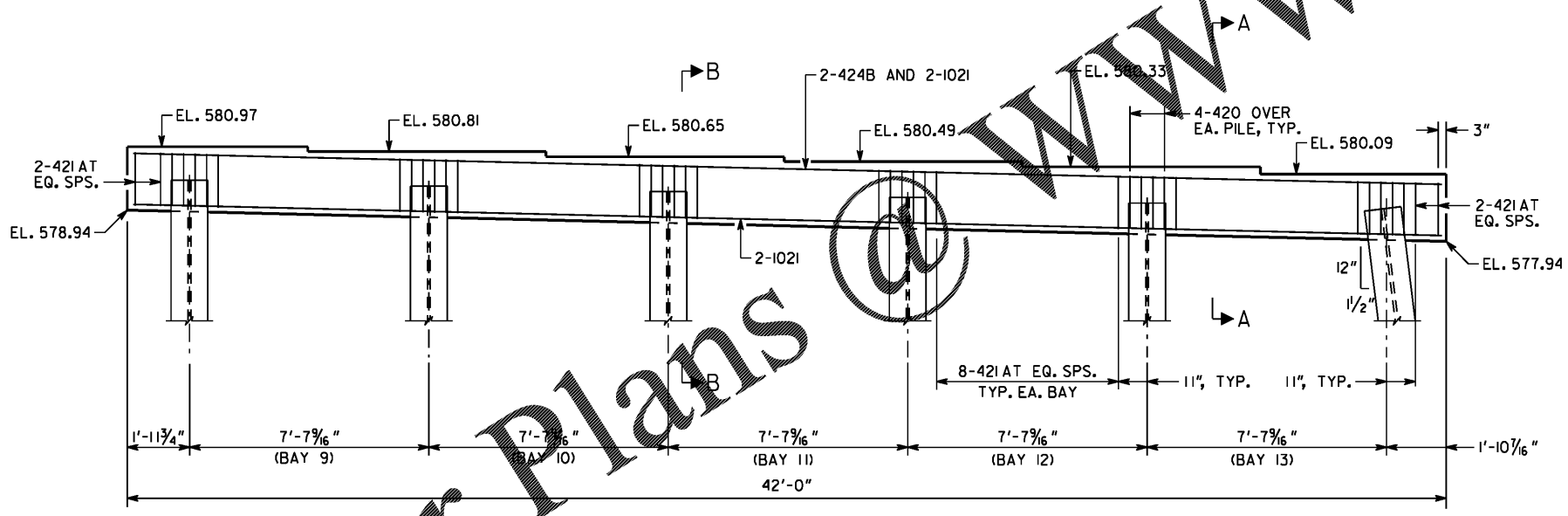
SECTION A-A
SCALE: 3/4" = 1'-0"

⊗ FORM 3" DIAMETER X 12" DEEP HOLE FOR DOWEL BAR.



SECTION B-B
SCALE: 3/4" = 1'-0"

ALL PILES SHALL BE STEEL H, HP 14 X 89.
PILES ARE DESIGNED FOR A MAXIMUM FACTORED AXIAL LOAD OF 239 KIPS.
PLAN DRIVING OBJECTIVE
ALL PILES SHALL BE DRIVEN TO A DRIVING RESISTANCE OF 374 KIPS AFTER A MINIMUM TIP ELEVATION OF 520 IS ACHIEVED.



ELEVATION

Order Plans

WWW.LDILine.com

BRIDGE NO. 1

GEORGIA
DEPARTMENT OF TRANSPORTATION
ENGINEERING DIVISION-OFFICE OF BRIDGES AND STRUCTURES

INTERMEDIATE BENT 2 - STAGE III
SR 18 OVER LONG CANE CREEK
TROUP COUNTY 0013999

SCALE: 3/8" = 1'-0" UNLESS OTHERWISE NOTED NOVEMBER 2020

SUBSTRUCTURE QUANTITIES	
ITEM	BENT 2 STAGE III
CY CLASS "AA" CONCRETE	12.4
LB BAR REINF STEEL	1,214

INFRASTRUCTURE
CONSULTING & ENGINEERING
4940 PEACHTREE INDUSTRIAL BLVD., SUITE 310
NORCROSS, GEORGIA 30071

DRAWING NO. 35-0024
BRIDGE SHEET 24 OF 34

DATE	REVISIONS	BY

DESIGNED DVW	CHECKED SAW	REVIEWED DLC/SKG
DRAWN JNA	DESIGN GROUP DPD	APPROVED WMD

1 INCH WHEN PRINTED FULL SIZE