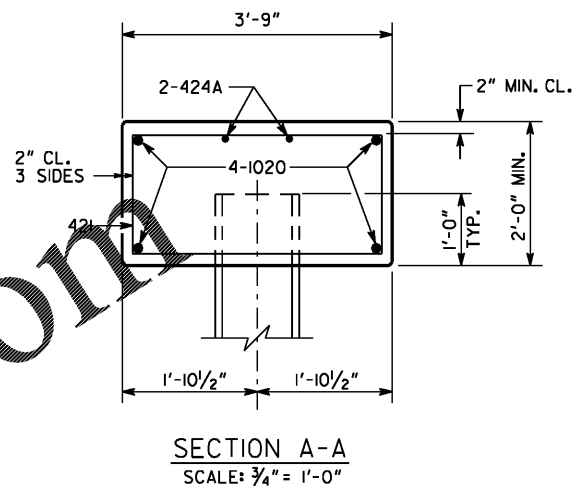
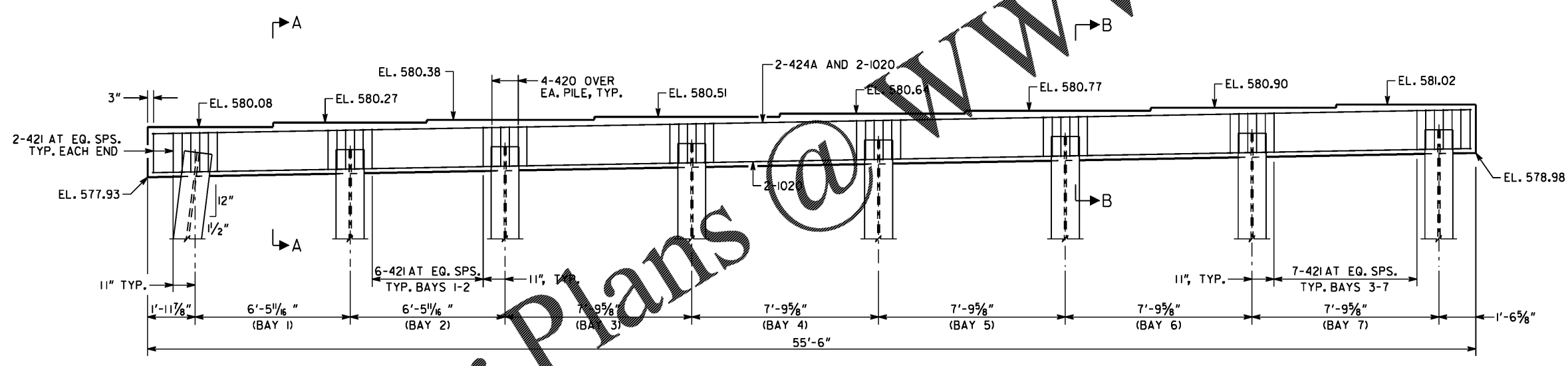
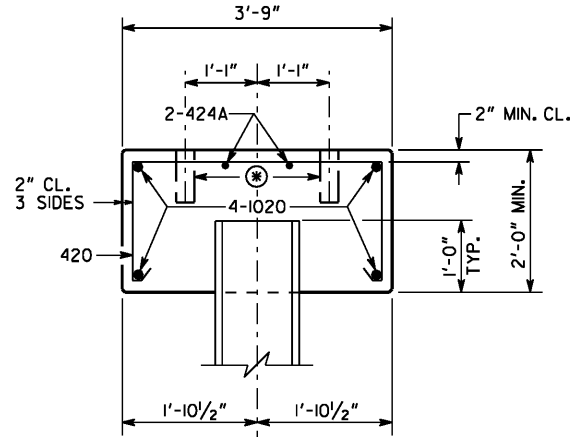


INDICATES DIRECTION OF 1/2 : 12 BATTER

PLAN



FORM 3" DIAMETER X 12" DEEP HOLE FOR DOWEL BAR.



ELEVATION

ALL PILES SHALL BE STEEL H, HP 14 X 89.
 PILES ARE DESIGNED FOR A MAXIMUM FACTORED AXIAL LOAD OF 239 KIPS.
 PLAN DRIVING OBJECTIVE
 ALL PILES SHALL BE DRIVEN TO A DRIVING RESISTANCE OF 374 KIPS AFTER A MINIMUM TIP ELEVATION OF 520 IS ACHIEVED.

Order Plans

WWW.LDILINE.COM

BRIDGE NO. 1

GEORGIA
 DEPARTMENT OF TRANSPORTATION
 ENGINEERING DIVISION-OFFICE OF BRIDGES AND STRUCTURES

INTERMEDIATE BENT 2 - STAGE II
 SR 18 OVER LONG CANE CREEK
 TROUP COUNTY 0013999

SCALE: 3/8" = 1'-0" UNLESS OTHERWISE NOTED NOVEMBER 2020

SUBSTRUCTURE QUANTITIES	
ITEM	BENT 2 STAGE II
CY CLASS "AA" CONCRETE	16.3
LB BAR REINF STEEL	1,556

INFRASTRUCTURE CONSULTING & ENGINEERING
 4940 PEACHTREE INDUSTRIAL BLVD., SUITE 310
 NORCROSS, GEORGIA 30071

DRAWING NO. 35-0023
 BRIDGE SHEET 23 OF 34

DATE	REVISIONS	BY

DESIGNED DVW	CHECKED SAW	REVIEWED DLC/SKG
DRAWN JNA	DESIGN GROUP DPD	APPROVED WMD

1 INCH WHEN PRINTED FULL SIZE