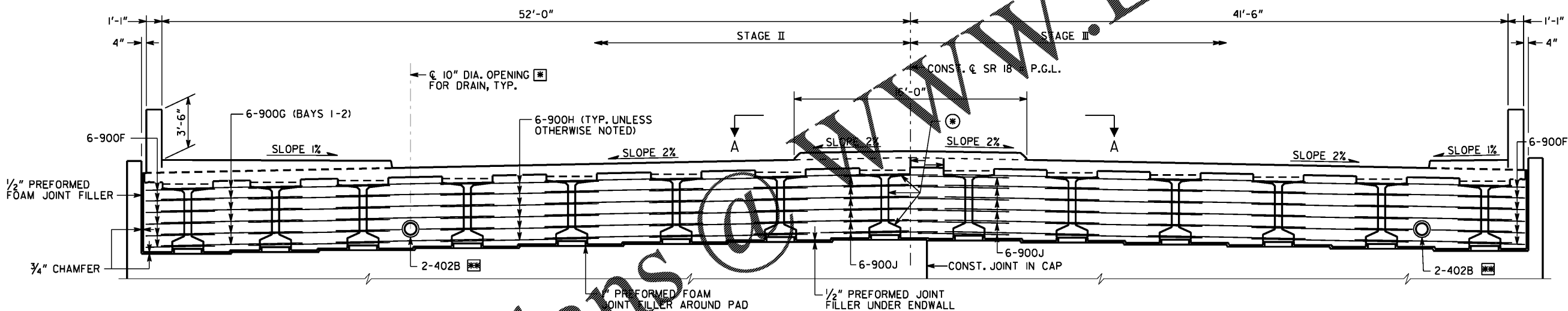
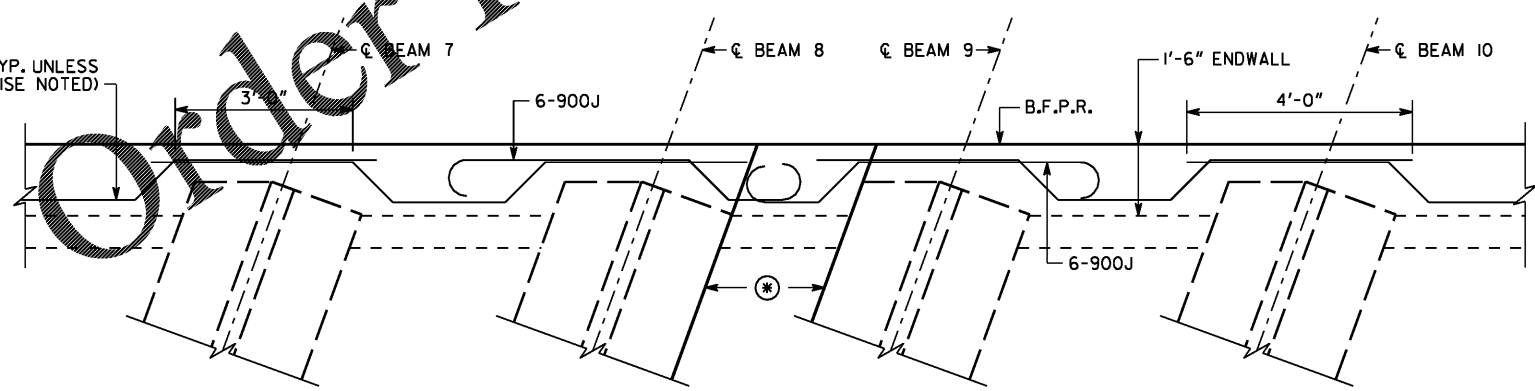


SECTION THRU EDGE BEAM - BENT 4  
BEARINGS PADS NOT SHOWN



SECTION THRU ENDWALL

- ☒ SEE SHEETS 15 AND 16 FOR BRIDGE DRAINAGE DETAILS.
- ⊛ CONSTRUCTION JOINT
- ☒ SHIFT SLIGHTLY OR CLIP REINFORCING TO AVOID BLOCKOUTS FOR DRAIN PIPES.



SECTION A-A  
SCALE: 1/8" = 1'-0"

NOTES

1. LAP 404 BARS A MINIMUM OF 1'-9"
2. LAP 505 BARS A MINIMUM OF 2'-2"
3. LAP 900 BARS A MINIMUM OF 3'-0"

**INFRASTRUCTURE CONSULTING & ENGINEERING**  
4940 PEACHTREE INDUSTRIAL BLVD., SUITE 310  
NORCROSS, GEORGIA 30071

DRAWING NO. 35-0012  
BRIDGE SHEET 12 OF 34

BRIDGE NO. 1	
GEORGIA DEPARTMENT OF TRANSPORTATION ENGINEERING DIVISION-OFFICE OF BRIDGES AND STRUCTURES	
DECK SECTIONS - SPAN 4 SR 18 OVER LONG CANE CREEK TROUP COUNTY 0013999	
SCALE: 1/4" = 1'-0" UNLESS OTHERWISE NOTED NOVEMBER 2020	
DESIGNED <b>DVW</b>	CHECKED <b>SAW</b>
DRAWN <b>DLR</b>	DESIGN GROUP <b>DPD</b>
REVIEWED <b>DLC/SKG</b>	APPROVED <b>WMD</b>