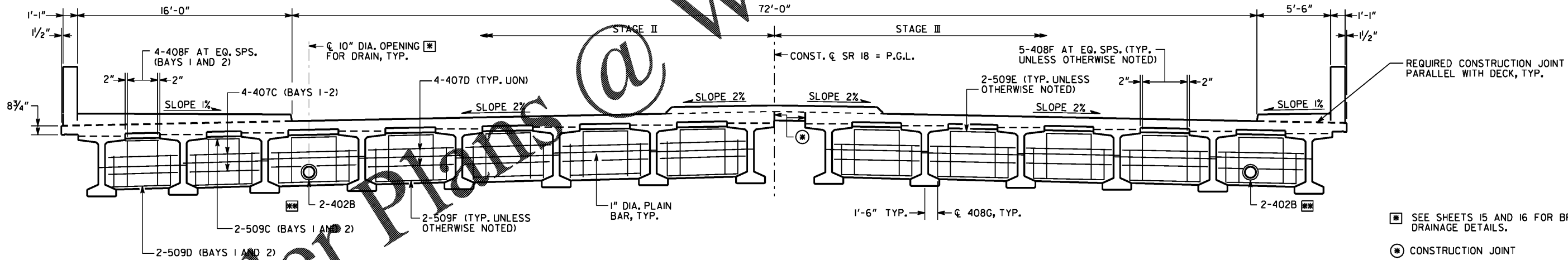
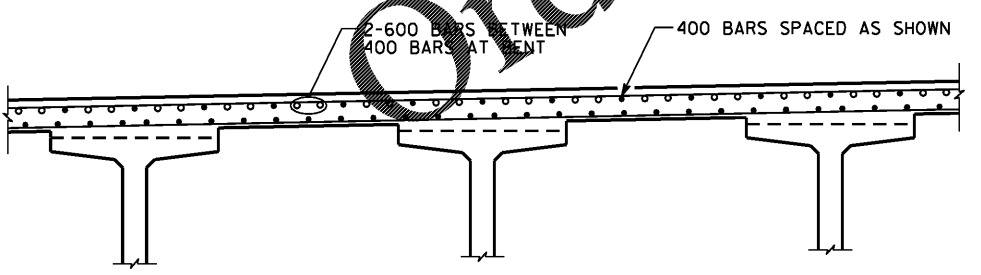


SECTION THRU SLAB



SECTION THRU DIAPHRAGM



SECTION THRU SLAB AT INTERMEDIATE BENT
SCALE: 1/2" = 1'-0"

NOTES

- LAP 400 BARS A MINIMUM OF 1'-9"
- LAP 500 BARS A MINIMUM OF 2'-2"
- LAP 501 BARS A MINIMUM OF 2'-2"
- LAP 507 BARS A MINIMUM OF 3'-0"
- LAP 801 BARS A MINIMUM OF 4'-3"
- DIMENSION "D" IS MEASURED FROM TOP OF SLAB TO TOP OF BEAMS AT CENTERLINE BEARING. VARY "D" BETWEEN BEAMS TO COMPENSATE FOR DEAD LOAD DEFLECTION. MAINTAIN A CONSTANT SLAB THICKNESS OF 7 3/4" BETWEEN BEAMS AND 8" IN THE OVERHANGS.
"D" = 12 1/2" FOR INTERIOR BEAMS
"D" = 13 1/2" FOR EXTERIOR BEAMS

- SEE SHEETS 15 AND 16 FOR BRIDGE DRAINAGE DETAILS.
- CONSTRUCTION JOINT
- SHIFT SLIGHTLY OR CLIP REINFORCING TO AVOID BLOCKOUTS FOR DRAIN PIPES.

BRIDGE NO. 1

DATE		REVISIONS		BY	
GEORGIA DEPARTMENT OF TRANSPORTATION ENGINEERING DIVISION-OFFICE OF BRIDGES AND STRUCTURES DECK SECTIONS - SPAN 4 SR 18 OVER LONG CANE CREEK TROUP COUNTY 0013999					
SCALE: 1/4" = 1'-0" UNLESS OTHERWISE NOTED NOVEMBER 2020					
DESIGNED	DVW	CHECKED	SAW	REVIEWED	DLC/SKG
DRAWN	DLR	DESIGN GROUP	DPD	APPROVED	WMD

INFRASTRUCTURE
CONSULTING & ENGINEERING
4940 PEACHTREE INDUSTRIAL BLVD., SUITE 310
NORCROSS, GEORGIA 30071

DRAWING NO. 35-0011
BRIDGE SHEET 11 OF 34

1 INCH WHEN PRINTED FULL SIZE